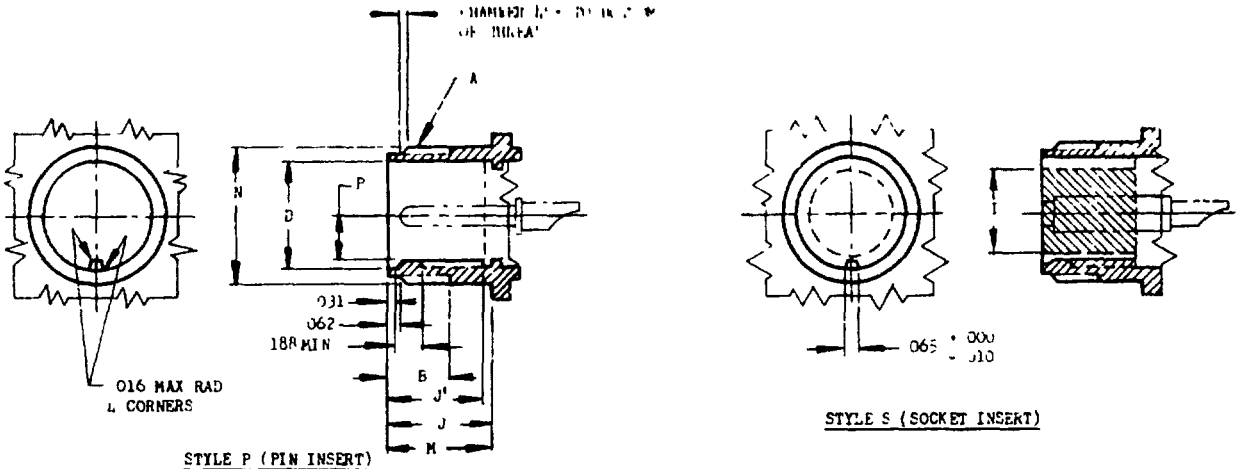


FED SUP CLASS
5735

drawings specifications or other data are used for any purpose other than in connection with a definitely related Government activity, the Government may have certain rights in the drawings specifications or other data. It is the policy of the Government to sell any patented invention that may in any way be related to the drawings specifications or other data. It is the policy of the Government to sell any patented invention that may in any way be related to the drawings specifications or other data. It is the policy of the Government to sell any patented invention that may in any way be related to the drawings specifications or other data.



ENVIRONMENT RESISTING (R) RECEPTACLE

SIZE	A COUPLING THREAD	B MIN USABLE THREAD	D + .015 - .000 ID	I MAX INSERT DIA	J +.031 -.000	J' +.031 -.000 INSERT LOCATION	M +.031 -.000 MOUNTING FLANGE LOCATION	N MAX OD	P +.015 -.000 KEY HEIGHT	FOR INSERT ARRANGEMENT SEE DRAWING	
8C	1/2-20	.375	.370	.250	.562	.562	.562	.532	.330	MS33680	
10S	5/16-24		.448	.320				.656	.165		
10SL	3/4-16		.557	.440				.787	.224		MS33681
14S	7/8-14		.682	.520				.906	.263		MS33682
16S	1-12		.807	.620				1.034	.325		MS33683
12	3/4-16	.625	.557	.440	.750	.750	.750	.792	.220	MS33684	
14	7/8-14		.682	.520				.906	.263	MS33685	
16	1-12		.807	.620				1.032	.325	MS33686	
18	1-1/8-18		.932	.720				1.150	.385	MS33687	
20	1-1/4-18		1.058	.800				1.262	.463	MS33688	
22	1-3/8-18		1.182	.920				1.406	.510	MS33689	
24	1-1/2-18		1.307	1.040				1.532	.573	MS33690	
28	1-3/4-18		1.526	1.265				1.782	.683		
32	2-1/8-18		1.750	1.515				2.032	.808		
36	2-1/4-16		1.995	1.730				2.282	.915		

(a) WHERE RESILIENT INSERTS ARE USED, J' MAY BE 10% LESS THAN INDICATED

EXAMPLE OF DESIGN DESIGNATION MS33678R18-5S=ENVIRONMENT RESISTING, RECEPTACLE SIZE 18, INSERT ARRANGEMENT -5 (SEE MIL-33684), STYLE S (SOCKET CONTACTS, SEE FIGURE 2, MIL-C-5015)

MS3302R OR MODIFICATION THEREOF, MAY BE USED IN LIEU OF THIS DESIGN

FOR DESIGN DETAILS SEE SPECIFICATION MIL-C-5015

DIMENSIONS IN INCHES UNLESS OTHERWISE SPECIFIED, TOLERANCES DECIMALS ± .016

THIS STANDARD TAKES PRECEDENCE OVER DOCUMENTS REFERENCED HEREIN
REFERENCED DOCUMENTS SHALL BE OF THE ISSUE IN EFFECT ON DATE OF INVITATIONS FOR BID

THIS IS A DESIGN STANDARD NOT TO BE USED AS A PART NUMBER

P A Navy - Aer Other Cust Army - SigC USAF	TITLE CONNECTOR, RECEPTACLE, ELECTRIC, INTEGRAL MOUNTING	MILITARY STANDARD
		MS33678
PROCUREMENT SPECIFICATION NONE	SUPERSEDES AND10066	SHEET 1 OF 1

APPROVED 17 Dec 58
 REVISED