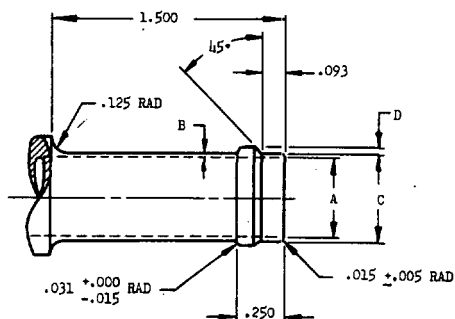


NOTICE—When Government drawings, specifications, or other data are used for any purpose other than in connection with a definitely related Government procurement operation, the United States Government assumes no liability, and the fact that the Government may have furnished, furnished, or in any way supplied the said drawings, specifications, or other data does not constitute an acknowledgment or approval by the Government of any other person or corporation, or conveying any rights or permission to manufacture, use, or sell any patented invention that may in any way be related thereto.

This military standard is approved by the Department of Defense and is mandatory on all activities. Selection for all new engineering and design applications and for repetitive use shall be made from this document.

FED. SUP CLASS.
4730



EQUIVALENT DASH NO.	HOSE ID	A MIN DIA	B MIN	C ±.005 DIA A	D ±.003
4	1/4	.170		.250	.031
5	5/16	.231	.031	.313	.033
6	3/8	.292	.032	.375	.035
8	1/2	.403	.039	.500	
10	5/8	.528	.043	.625	.038
12	3/4	.637	.051	.750	
16	1	.887		1.000	
20	1-1/4	1.091		1.250	.062
24	1-1/2	1.341	.074	1.500	
28	1-3/4	1.591		1.750	.072
32	2	1.841		2.000	A
40	2-1/2	2.341		2.500	.082
48	3	2.841		3.000	
52	3-1/4	3.091		3.250	
56	3-1/2	3.341		3.500	
60	3-3/4	3.591		3.750	
64	4	3.841	.076	4.000	
68	4-1/4	4.091		4.250	.086
72	4-1/2	4.341		4.500	
76	4-3/4	4.591		4.750	
80	5	4.841		5.000	
84	5-1/4	5.091		5.250	
88	5-1/2	5.341		5.500	
92	5-3/4	5.591	.088	5.750	
96	6	5.817		6.000	

THIS DESIGN NOT FOR USE WITH SAND CAST ALUMINUM.

ALL SURFACES 125 RHR OR FINER IN ACCORDANCE WITH STANDARD MIL-STD-10.

A BREAK ALL SHARP EDGES AND REMOVE ALL BURRS AND SLIVERS.

DIMENSIONS IN INCHES. UNLESS OTHERWISE SPECIFIED, TOLERANCES: DECIMALS ±.010, ANGLES ±1/2°.

THIS STANDARD TAKES PRECEDENCE OVER DOCUMENTS REFERENCED HEREIN.

REFERENCED DOCUMENTS SHALL BE OF THE ISSUE IN EFFECT ON DATE OF INVITATIONS FOR BID.

THIS IS A DESIGN STANDARD. NOT TO BE USED AS A PART NUMBER.

P.A. USAF	TITLE	MILITARY STANDARD MS33658
Other Cust Army - Ord Navy - Aer	FITTING END, HOSE CONNECTION, STANDARD DIMENSIONS FOR	
PROCUREMENT SPECIFICATION NONE	SUPERSEDES: AND10058	SHEET 1 OF 1

APPROVED 20 Jun 58 REVISED A 30 June 59

DD FORM 1 SEP 57 672-1 (Coordinated)

PREVIOUS EDITIONS OF THIS FORM ARE OBSOLETE.