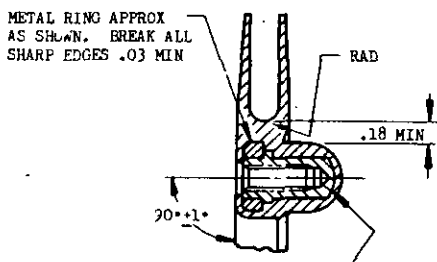
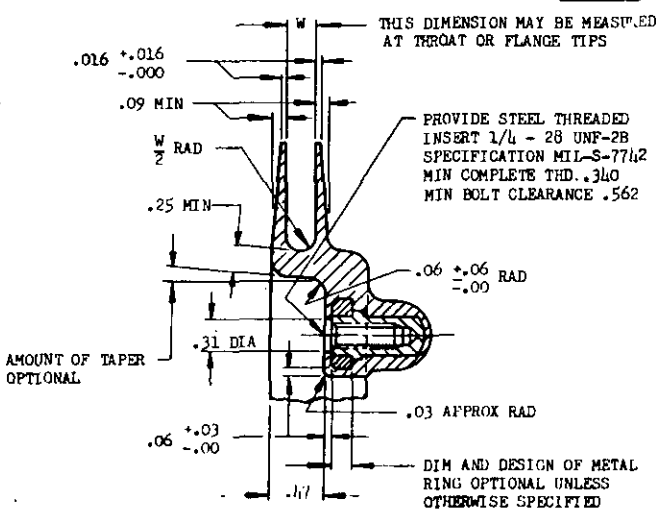


NOTICE.—When Government drawings, specifications, or other data are used for any purpose other than in connection with a definitely related Government procurement operation, the United States Government thereby incurs no responsibility, nor any obligation whatsoever; and the fact that the Government may have furnished, furnished, or in any way supplied the said drawings, specifications, or other data is not to be regarded by implication or otherwise as in any manner licensing the holder or any other person or corporation, or conveying any rights or permission to manufacture, use, or sell any patented invention that may in any way be related thereto.



METAL RING APPROX AS SHOWN. BREAK ALL SHARP EDGES .03 MIN

METAL INSERT APPROX AS SHOWN. BREAK ALL SHARP EDGES .016 MIN



THIS DIMENSION MAY BE MEASURED AT THROAT OR FLANGE TIPS

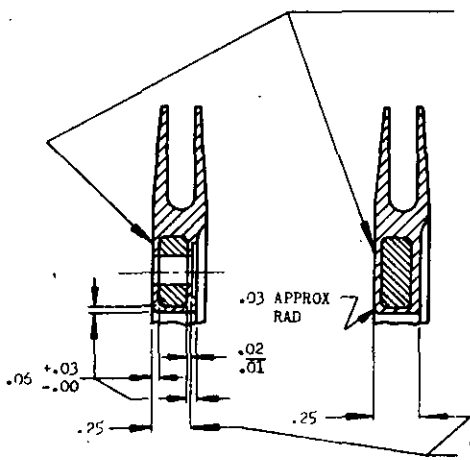
PROVIDE STEEL THREADED INSERT 1/4 - 28 UNF-2B SPECIFICATION MIL-S-7742 MIN COMPLETE THD. .310 MIN BOLT CLEARANCE .562

AMOUNT OF TAPER OPTIONAL

DIM AND DESIGN OF METAL RING OPTIONAL UNLESS OTHERWISE SPECIFIED

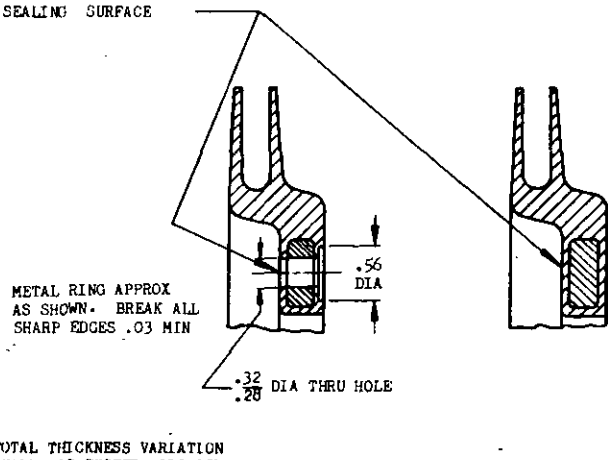
THREADED INSERT TYPE FLUSH FLANGE SELF-SEALING TANK

THREADED INSERT TYPE RECESSED FLANGE SELF-SEALING TANK



THRU HOLE TYPE COMPRESSION TYPE

FLUSH FLANGE SELF-SEALING TANK



THRU HOLE TYPE COMPRESSION TYPE

RECESSED FLANGE SELF-SEALING TANK

TOTAL THICKNESS VARIATION SHALL NOT EXCEED .010 PER INDIVIDUAL FLANGE.

DIMENSIONS IN INCHES, UNLESS OTHERWISE SPECIFIED, TOLERANCES: TWO PLACE DECIMALS $\pm .03$, THREE PLACE DECIMALS $\pm .010$, ANGLES $\pm 1/2^\circ$. DIMENSIONS AND NOTES SHOWN FOR ONE FLANGE SHALL BE USED FOR OTHER FLANGES AS APPLICABLE.

MOLDED MATERIAL OVER METAL SHALL BE .06 MIN THICKNESS UNLESS OTHERWISE SPECIFIED.

USE RADIUS ON ALL CONTOUR CHANGES OF MOLDED RUBBER PORTIONS OF FLANGES.

© CANCELLED after 7 AUG 1990
NO SUPERSEDING STANDARD

THIS IS A DESIGN STANDARD. NOT TO BE USED AS A PART NUMBER.

This military standard is approved by the Department of Defense and is mandatory on all activities. Selection for all new engineering and design applications and for repetitive use shall be made from this document.

P.A. USAF Other Cust Army - TC Navy - Aer	TITLE FLANGE, ATTACHMENT, MOLDED TANK, FULL MOLDED, GENERAL FEATURES OF CONSTRUCTION	MILITARY STANDARD
		MS33596
PROCUREMENT SPECIFICATION MIL-F-5571	SUPERSEDES: AND10222, IN PART (FLANGE)	SHEET 1 OF 1

APPROVED 24 Feb 58
REVISED 27 May 59
30 AUG 74
AUG 1980