

INCH-POUND

MS33562D
18 October 1999
SUPERSEDING
MS33562 (ASG) REV
C
15 March 1984

DETAIL SPECIFICATION SHEET

CONNECTION, AIRCRAFT GROUND AIR CONDITIONING, 8 INCH

This specification is approved for use by all Departments and Agencies
of the Department of Defense .

NOTES:

1. Dimensions in inches. Tolerances, unless otherwise specified: Decimals $\pm .010$, Angles $\pm 2^\circ$.
2. This is a design standard. Not used as a part number.
3. Bayonet (Claw) of 8 inch ground support connection engages against this face (Typical 4 places).
4. Previous designs of aircraft still in production or in use may provide only 2 slots diametrically opposed for use with ground support connections having 2 bayonet claws.
5. Certain provisions of this specification are the subject of international standardization agreement NATO STANAG 3208. When amendment, revision, or cancellation of this specification is proposed which will modify the international agreement concerned, the preparing activity will take appropriate action through international standardization channels, including departmental standardization offices to change the agreement or make other appropriate accommodations.

MS33562D

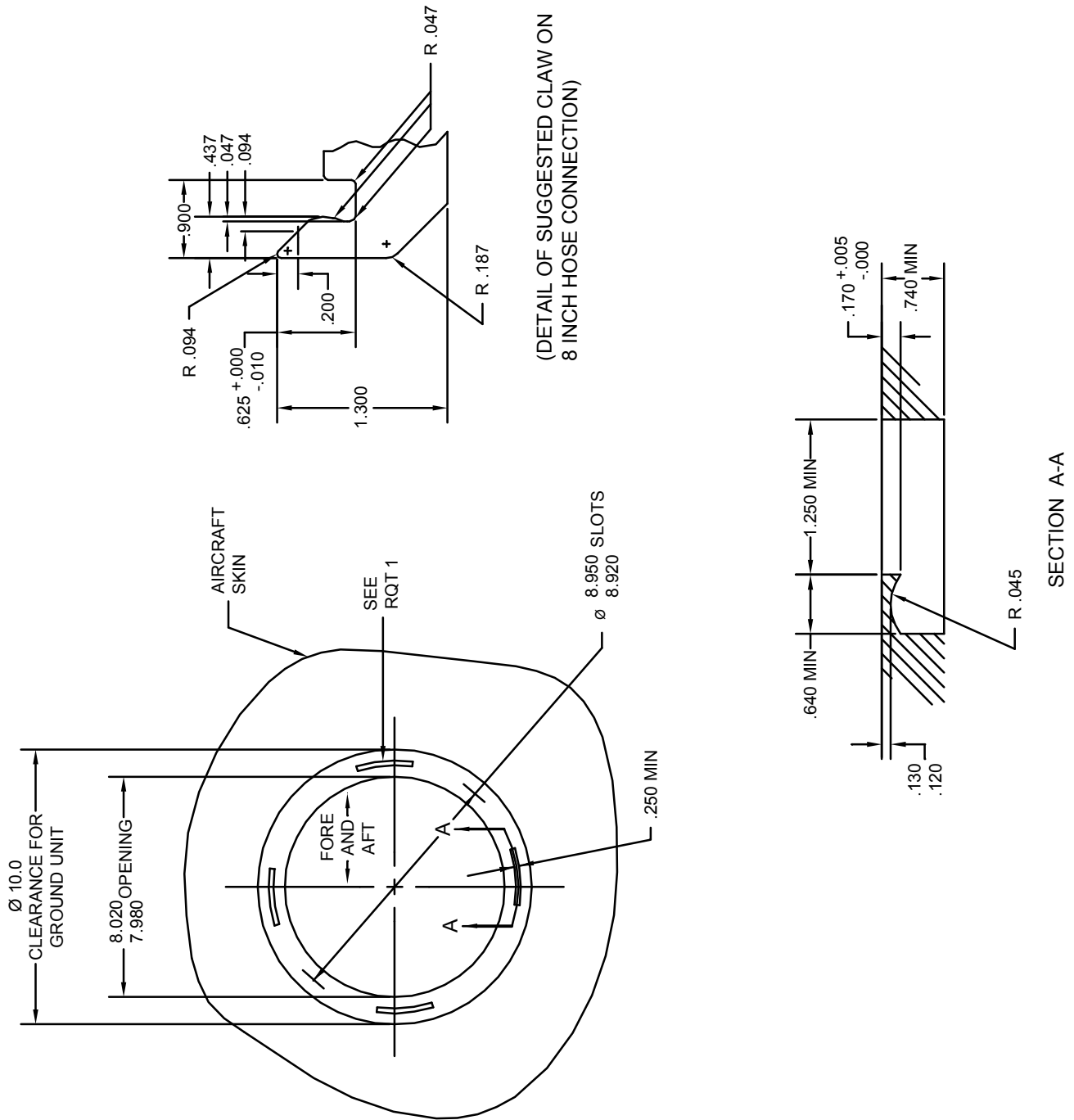


FIGURE 1. Connection aircraft

MS33562D

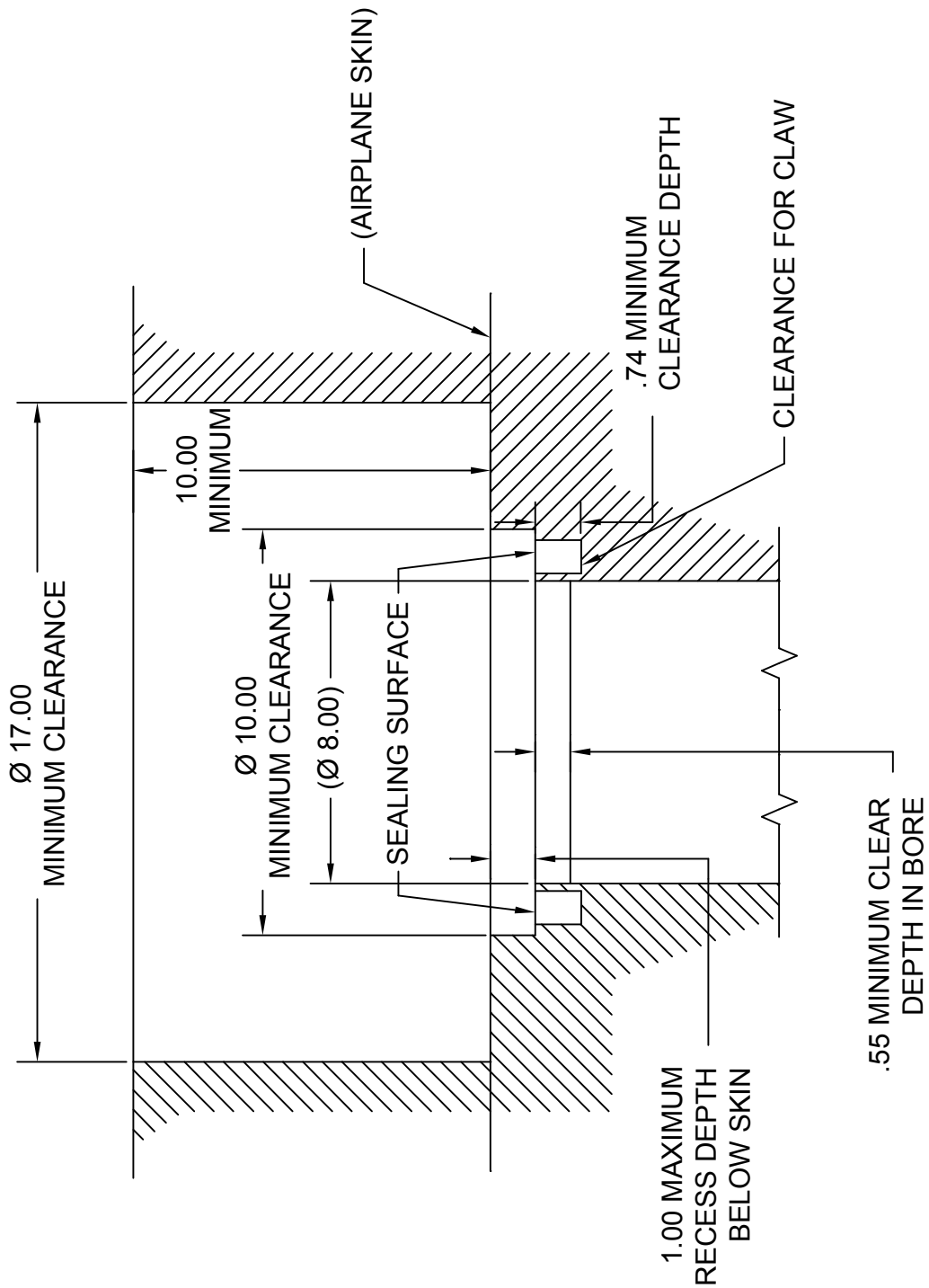


FIGURE 2. Minimum clearance space required to accommodate ground support equipment interface connections

MS33562D

Custodians:
Air Force - 99
Navy - AS
DLA - CC

Preparing activity:
DLA - CC

(Project 4730-0093)

Review activities:
Air Force - 82
Navy - MC