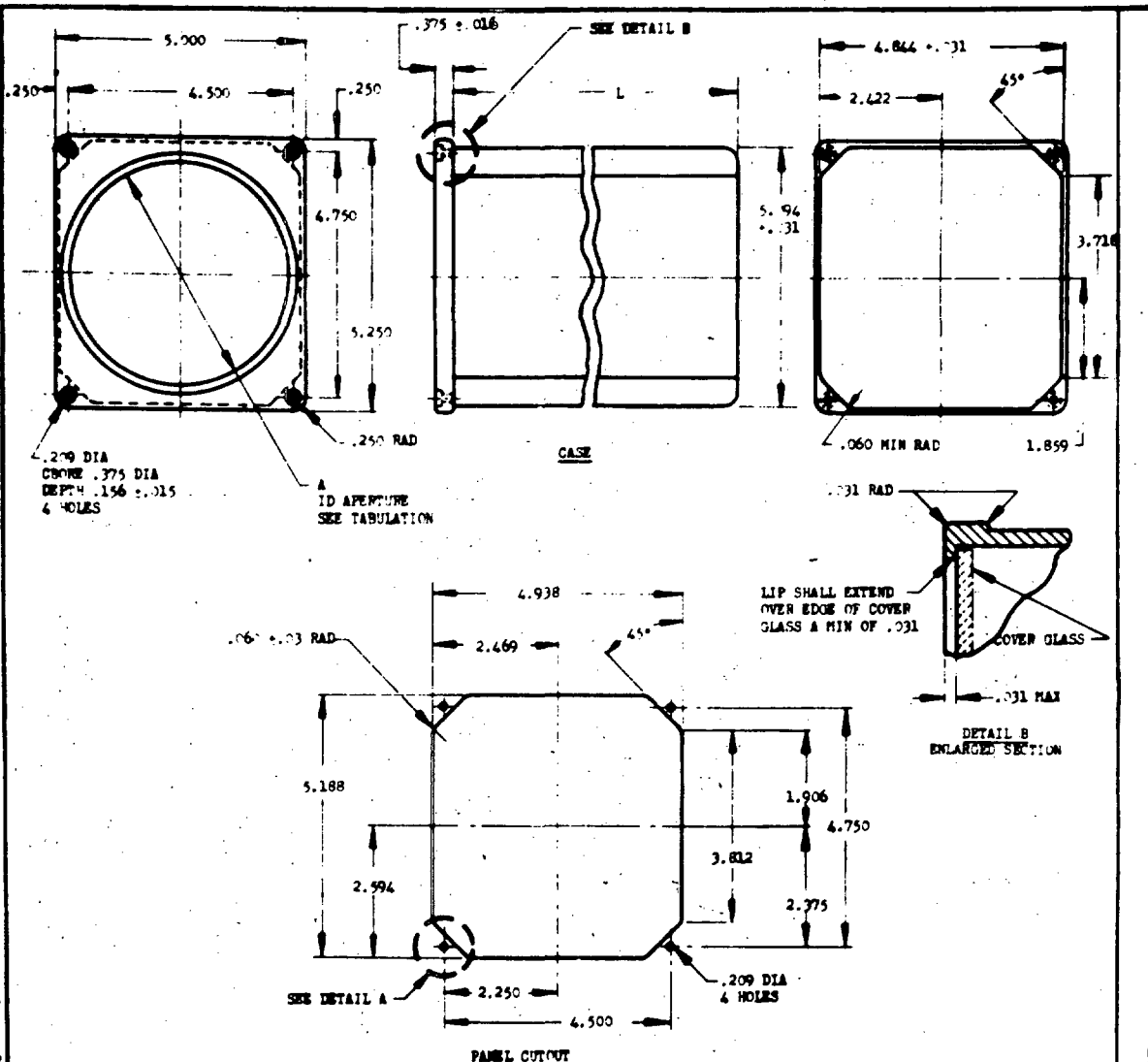


EXCEPT WHERE SHOWN OTHERWISE, ALL DIMENSIONS ARE IN INCHES. UNLESS OTHERWISE SPECIFIED, DIMENSIONS ARE TO BE HIDDEN LINES. THE UNITED STATES GOVERNMENT HEREBY DISCLAIMS ANY WARRANTY, INCLUDING MERCHANTABILITY, FITNESS FOR A PARTICULAR PURPOSE, OR NON-INFRINGEMENT. THE UNITED STATES GOVERNMENT SHALL NOT BE LIABLE FOR ANY DAMAGES, INCLUDING CONSEQUENTIAL DAMAGES, ARISING FROM THE USE OF THIS DOCUMENT. THE UNITED STATES GOVERNMENT SHALL NOT BE LIABLE FOR ANY DAMAGES, INCLUDING CONSEQUENTIAL DAMAGES, ARISING FROM THE USE OF THIS DOCUMENT.



A			
4.000	4.250	4.375	4.750

FOR DIMENSIONS A AND L SEE DETAIL INSTRUMENT SPECIFICATION.
 FRONT AND REAR MOUNTING FACES SHALL BE FLAT WITHIN ± .005.
 DIMENSIONS IN INCHES. UNLESS OTHERWISE SPECIFIED, TOLERANCES: DECIMALS ± .010, ANGLES ± 2°.

THIS IS A DESIGN STANDARD. NOT USED AS A PART NUMBER.

CUSTODIANS Navy - Baker Air Force	OTHER INT. A - N - AF -	MILITARY STANDARD	MS33545 (ASG)
		CASE - INSTRUMENT, 5 x 5-1/4, STANDARD DIMENSIONS FOR	
PROCEDURE SPECIFICATION NONE		SUPERSEDES:	SHEET 1 OF 1

GO FORM 672-1
 1 OCT 62

APPROVED 1 Jan 54 REVISED