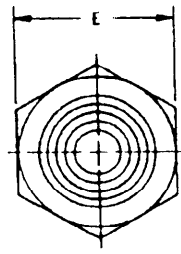
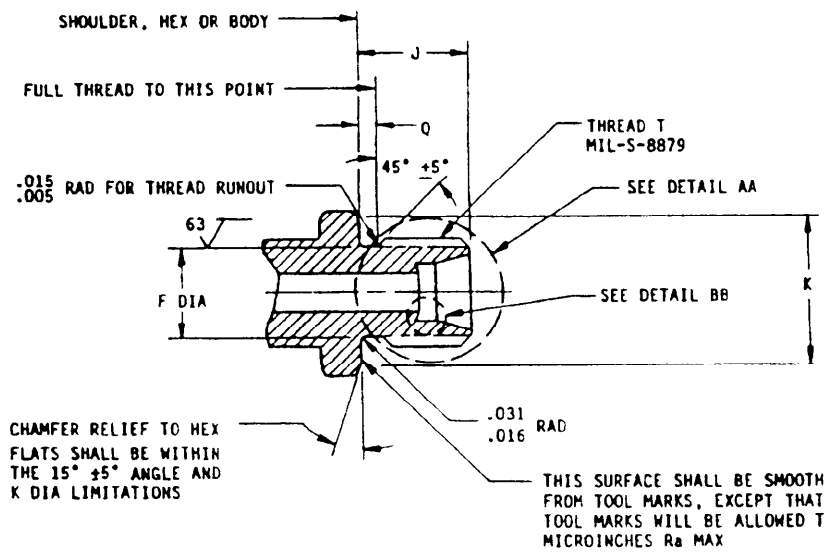
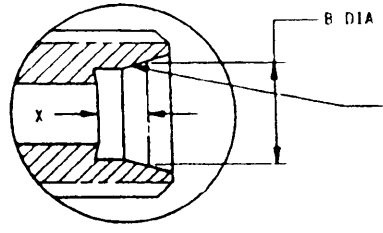


STYLE G



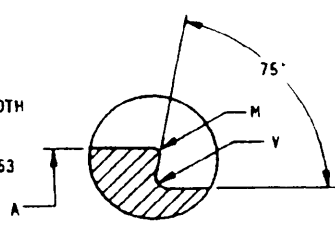
STYLE E

MAY BE USED WITH GASKET SEAL IN BOSS



DETAIL AA ENLARGED  
GAGING DIMENSIONS FOR CAVITIES

THIS SURFACE SHALL BE SMOOTH AND FREE FROM TOOL MARKS, EXCEPT THAT ANNULAR TOOL MARKS WILL BE ALLOWED TO 63 MICROINCHES Ra MAX



DETAIL BB ENLARGED

(G) DENOTES CHANGE

DESIGN STANDARD

PREPARING ACTIVITY: NAVY - AS  
CUSTODIANS: ARMY - AV, NAVY - AS, AIR FORCE - 99, DLA -  
REVIEW: USAF-71,82,DLA-CS,ARMY-MI, USER: ARMY-GL,ME,AT,MARINE CORPS-MC, PROJECT NUMBER: 4730-0021

MILITARY SPECIFICATION SHEET  
TITLE: FITTING END, STANDARD DIMENSIONS FOR FLARELESS TUBE CONNECTION AND GASKET SEAL

SPECIFICATION SHEET NUMBER: MS33514G 21 MAY 90  
SUPERSEDING: MS33514F 27 JAN 69  
AMSC - N/A FSC 4730

THE REQUIREMENTS FOR ACQUIRING THE PRODUCT(S) DESCRIBED HEREIN SHALL CONSIST OF THIS SPECIFICATION SHEET AND THE ISSUE OF THE FOLLOWING SPECIFICATION LISTED IN THAT ISSUE OF THE DODISS SPECIFIED IN AGENCY OF ORIGIN: NONE

OTHERWISE SPECIFIED

TABLE 1. DIMENSIONS DATA

| SIZE NO. | TUBE OD | THREAD T<br>MIL-S-8879 | A<br>+.003 | B<br>GAGE | C<br>REF | D<br>+.004<br>-.000 | E     | F<br>+.002<br>-.003 | H<br>+.003 | J<br>+.010 | K<br>+.010<br>DIA | M<br>MAX<br>RAD |
|----------|---------|------------------------|------------|-----------|----------|---------------------|-------|---------------------|------------|------------|-------------------|-----------------|
| 2        | .125    | .3125-24 UNJF-3A       | .093       | .1630     | .189     | .135                | .563  | .250                | .188       | .375       | .549              | .005            |
| 3        | .188    | .3750-24 UNJF-3A       | .125       | .2340     | .267     | .196                | .625  | .312                | .234       | .422       | .611              |                 |
| 4        | .250    | .4375-20 UNJF-3A       | .187       | .2930     | .319     | .261                | .688  | .364                |            | .453       | .674              |                 |
| 5        | .313    | .5000-20 UNJF-3A       | .234       | .3560     | .382     | .324                | .750  | .426                | .250       | .469       | .799              | .010            |
| 6        | .375    | .5625-18 UNJF-3A       | .297       | .4160     | .441     | .386                | .813  | .481                |            |            |                   |                 |
| 8        | .500    | .7500-16 UNJF-3A       | .422       | .5600     | .601     | .514                | 1.000 | .660                | .305       | .562       | .986              |                 |
| 10       | .625    | .8750-14 UNJF-3A       | .500       | .6860     | .727     | .641                | 1.125 | .773                | .350       | .625       | 1.111             |                 |
| 12       | .750    | 1.0625-12 UNJ -3A      | .656       | .8100     | .852     | .766                | 1.375 | .945                |            |            |                   |                 |
| 16       | 1.000   | 1.3125-12 UNJ -3A      | .875       | 1.0620    | 1.102    | 1.016               | 1.625 | 1.195               | .415       | .688       | 1.599             |                 |
| 20       | 1.250   | 1.6250-12 UNJ -3A      | 1.093      | 1.3160    | 1.355    | 1.270               | 1.875 | 1.507               |            |            |                   |                 |
| 24       | 1.500   | 1.8750-12 UNJ -3A      | 1.344      | 1.5650    | 1.604    | 1.520               | 2.125 | 1.756               | .485       | .688       | 2.095             | .015            |
| 32       | 2.000   | 2.5000-12 UNJ -3A      | 1.813      | 2.0680    | 2.108    | 2.022               | 2.750 | 2.381               |            |            |                   |                 |

| SIZE NO. | O<br>+.015<br>-.000 | Y RAD |      | W<br>MAX | X<br>+.005 | Y<br>+.010 |
|----------|---------------------|-------|------|----------|------------|------------|
|          |                     | MAX   | MIN  |          |            |            |
| 2        | .063                | .010  | .005 | .002     | .128       | .250       |
| 3        |                     | .015  | .010 |          | .158       | .310       |
| 4        |                     |       |      |          | .075       | .174       |
| 5        | .190                |       |      |          |            | .425       |
| 6        | .083                |       |      |          | .193       | .480       |
| 8        | .094                |       |      |          | .210       | .660       |
| 10       | .107                |       |      | .255     | .775       |            |
| 12       | .125                | .030  | .020 | .003     | .253       | .945       |
| 16       |                     |       |      |          | .322       | 1.195      |
| 20       |                     |       |      |          | .325       | 1.505      |
| 24       |                     |       |      |          | .390       | 1.755      |
| 32       |                     |       |      |          | .395       | 2.380      |

PREPARING ACTIVITY: NAVY - AS

CUSTODIANS: ARMY - AV      NAVY - AS  
AIR FORCE - 99      DLA -

REVIEW: USAF-71,82,DLA-CS,ARMY-M1  
USER: ARMY-GL,HE,AT,MARINE CORPS-MC  
PROJECT NUMBER: 4730-0021

MILITARY SPECIFICATION SHEET

TITLE  
FITTING END, STANDARD DIMENSIONS FOR  
FLARELESS TUBE CONNECTION AND  
GASKET SEAL

SPECIFICATION SHEET NUMBER

MS33514G      21 MAY 90

SUPERSEDING  
MS33514F      27 JAN 69

AMSC - N/A      FSC 4730

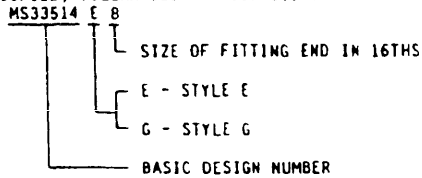
DISTRIBUTION STATEMENT

A. APPROVED FOR PUBLIC RELEASE; DISTRIBUTION IS UNLIMITED.

⑥

## NOTES:

1. CONCENTRICITY: D, C, AND T (PITCH DIA) SHALL BE CONCENTRIC TO EACH OTHER WITHIN .008 FULL INDICATOR MOVEMENT (F.I.M.). F AND T (PITCH DIA) SHALL BE CONCENTRIC TO EACH OTHER WITHIN .005 F.I.M.
2. SQUARENESS BETWEEN THREAD AND FACE OF HEX SHALL NOT EXCEED W WHEN MEASURED AT DIA K.
3. SURFACE ROUGHNESS IN ACCORDANCE WITH ANSI/ASME B46.1.
4. REMOVE ALL BURRS, SLIVERS AND SHARP EDGES.
5. DIMENSIONS IN INCHES, UNLESS OTHERWISE SPECIFIED, TOLERANCES: ANGLES 0.5°.
6. EXAMPLE OF DESIGN IDENTIFICATION NUMBERS: MS33514 E 8



7. IN THE EVENT OF CONFLICT BETWEEN THE TEXT OF THIS STANDARD AND THE REFERENCES CITED HEREIN, THE TEXT OF THIS STANDARD SHALL TAKE PRECEDENCE.
8. REFERENCED GOVERNMENT (OR NON-GOVERNMENT) DOCUMENTS OF THE ISSUE LISTED IN THAT ISSUE OF THE DEPARTMENT OF DEFENSE INDEX OF SPECIFICATIONS AND STANDARDS (DoDISS) SPECIFIED IN THE SOLICITATION FORM A PART OF THIS STANDARD TO THE EXTENT SPECIFIED HEREIN.

PREPARING ACTIVITY: NAVY — AS

CUSTODIANS: ARMY — AY      NAVY — AS  
AIR FORCE — 99      DLA —REVIEW: USAF-71, 82, DLA-CS, ARMY-M1  
USER: ARMY-GL, ME, AT, MARINE CORPS-MC  
PROJECT NUMBER: 4730-0021

## MILITARY SPECIFICATION SHEET

## TITLE

FITTING END, STANDARD DIMENSIONS FOR  
FLARELESS TUBE CONNECTION AND  
GASKET SEAL

SPECIFICATION SHEET NUMBER

MS33514G 21 MAY 90

SUPERSEDING  
MS33514F

27 JAN 69

AMSC — N/A

FSC 4730

## DISTRIBUTION STATEMENT

A. APPROVED FOR PUBLIC RELEASE. DISTRIBUTION IS UNLIMITED

PAGE 3 OF 3