

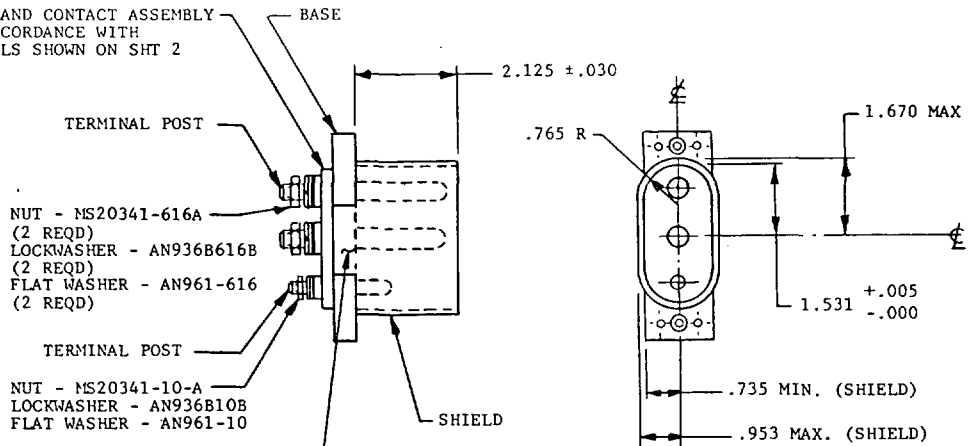
USER SYMBOLS:
ARMY -
NAVY -
USAF -

REVIEWER SYMBOLS:
ARMY - AV, EL
NAVY -
USAF - 80

"Review/user information is current as of the date of this document. For future coordination of change to this document, draft circulation should be based on the information in the current DODISS."

This military standard is approved for use by all Departments and Agencies of the Department of Defense. Selection for all new engineering and design applications and for repetitive use shall be made from this document.

BASE AND CONTACT ASSEMBLY IN ACCORDANCE WITH DETAILS SHOWN ON SHT 2



SHIELD TO BE PERMANENTLY ATTACHED TO BASE. METHOD OF ATTACHING SHIELD OPTIONAL WITHIN MAXIMUM DIMENSIONS

TYPE AND LOCATION OF ANY SHIELD JOINTS OPTIONAL WITHIN MAXIMUM AND MINIMUM OUTLINE.

REQUIREMENTS:

1. MATERIAL: SEE PROCUREMENT SPECIFICATION.
2. THREADS SHALL BE IN ACCORDANCE WITH MIL-S-7742.
3. SEE MS25488 FOR PLUG USED WITH THIS RECEPTACLE.
4. TERMINALS SHALL BE PERMANENTLY IDENTIFIED FRONT AND REAR AS SHOWN ON SHEET 2.

PART NO.	SUPERSEDES	MAX. WT. (LBS)
MS3506-1	AN2552-3A	.90

NOTES:

1. DIMENSIONS ARE IN INCHES. UNLESS OTHERWISE SPECIFIED, TOLERANCES: DECIMALS ± .015. DIMENSIONING AND TOLERANCING IN ACCORDANCE WITH ANSI Y14.5-1973.
2. IN NEW INSTALLATIONS, THE RECEPTACLE SHOULD BE MOUNTED BY THE 4 CORNER MOUNTING HOLES ONLY.
3. UNLESS OTHERWISE INDICATED, DIMENSIONS ARE SYMMETRICAL ABOUT CENTER LINES.
4. REFERENCED DOCUMENTS SHALL BE OF THE ISSUE IN EFFECT ON DATE OF INVITATIONS OF BID OR REQUEST FOR PROPOSAL. EXCEPT THAT REFERENCED ADOPTED INDUSTRY DOCUMENTS SHALL GIVE THE DATE OF THE ISSUE ADOPTED.
5. FOR DESIGN FEATURE PURPOSES, THIS STANDARD TAKES PRECEDENCE OVER PROCUREMENT DOCUMENTS REFERENCED HEREIN.

*CERTAIN PROVISIONS OF THIS STANDARD ARE THE SUBJECT OF INTERNATIONAL STANDARDIZATION AGREEMENT ASCC AIR STANDARD 12/6 AND STANAG 3302. WHEN REVISION, OR CANCELLATION OF THIS STANDARD IS PROPOSED WHICH WILL AFFECT OR VIOLATE THE INTERNATIONAL AGREEMENT CONCERNED, THE PREPARING ACTIVITY WILL TAKE APPROPRIATE RECONCILIATION ACTION THROUGH INTERNATIONAL STANDARDIZATION CHANNELS, INCLUDING DEPARTMENTAL STANDARDIZATION OFFICES, IF REQUIRED.

(B) REDRAWN

P.A. NAVY - AS Other Cust	INTERNATIONAL INTEREST	TITLE CONNECTOR, RECEPTACLE, EXTERNAL ELECTRIC POWER, AIRCRAFT, 28 VOLT DC OPERATING POWER	MILITARY STANDARD MS3506
ARMY - EL USAF - 11		PROCUREMENT SPECIFICATION MIL-C-81790	SHEET 1 OF 2
		SUPERSEDES. SEE ABOVE	

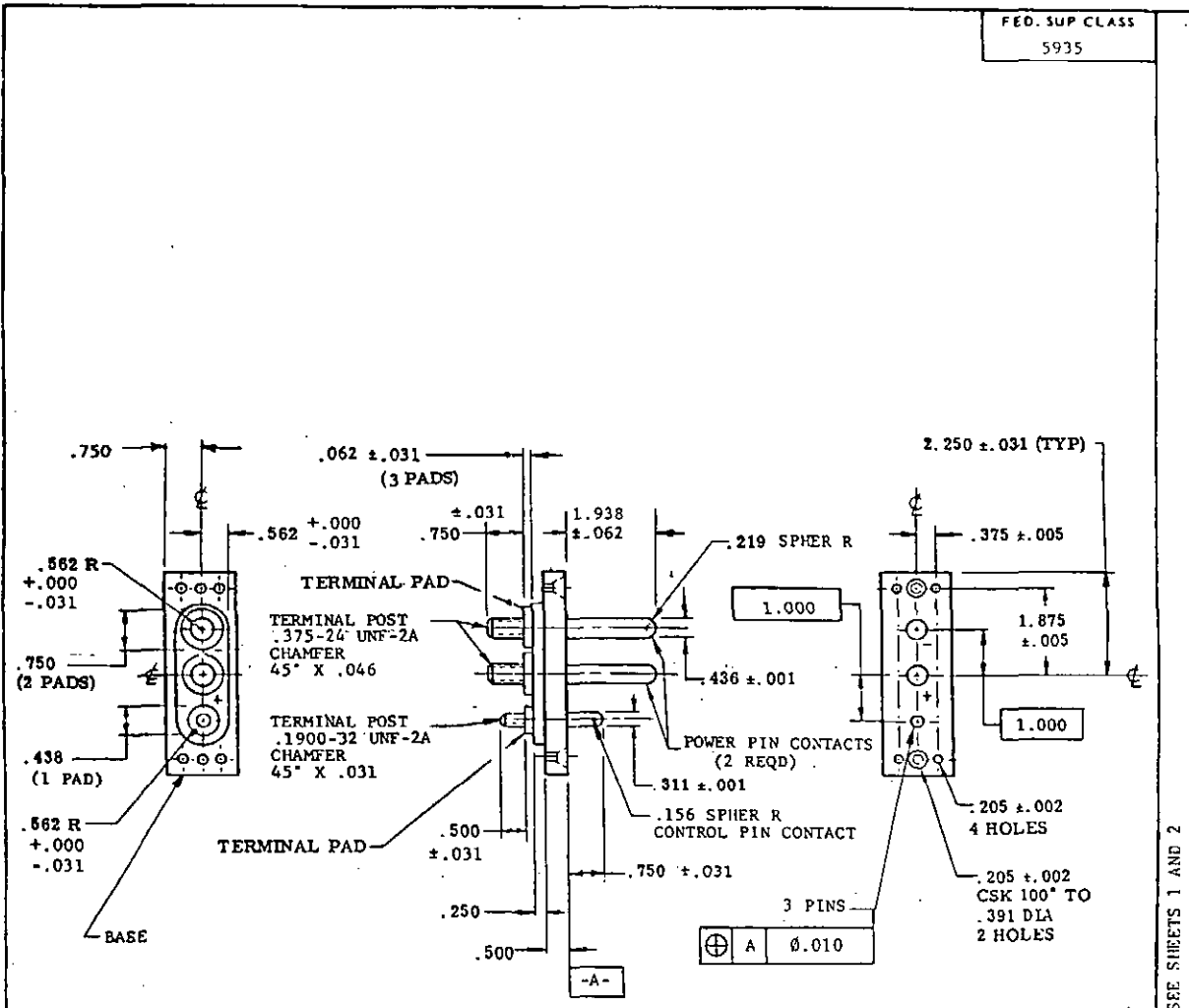
APPROVED 5 DEC 1972 REVISED (B) 27 FEB 1976

USER SYMBOLS:
ARMY -
NAVY -
USAF -

REVIEWER SYMBOLS:
ARMY - AV, EL
NAVY -
USAF - 80

"Review/user information is current as of the date of this document. For future coordination of changes to this document, draft circulation should be based on the information in the current 00D155."

This military standard is approved for use by all Departments & Agencies of the Department of Defense. Selection for all new engineering and design applications and for repetitive use shall be made from this document.



DETAILS OF BASE & CONTACT ASSEMBLY

FOR CHANGES SEE SHEETS 1 AND 2
APPROVED 5 DEC 1972

P.A. NAVY - AS Other Cust	INTERNA- TIONAL INTEREST *	TITLE CONNECTOR, RECEPTACLE, EXTERNAL ELECTRIC POWER, AIRCRAFT, 28 VOLT DC OPERATING POWER	MILITARY STANDARD	
			MS3506	
PROCUREMENT SPECIFICATION MIL-C-21790	SUPERSEDES:	SHEET 2	OF 2	