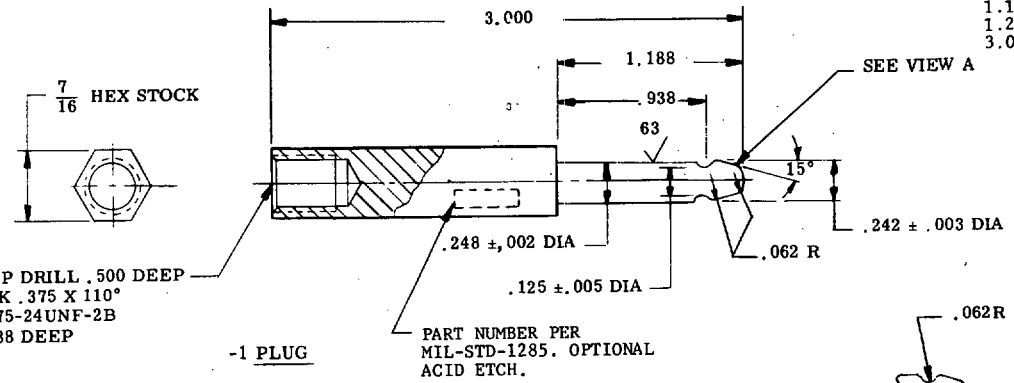
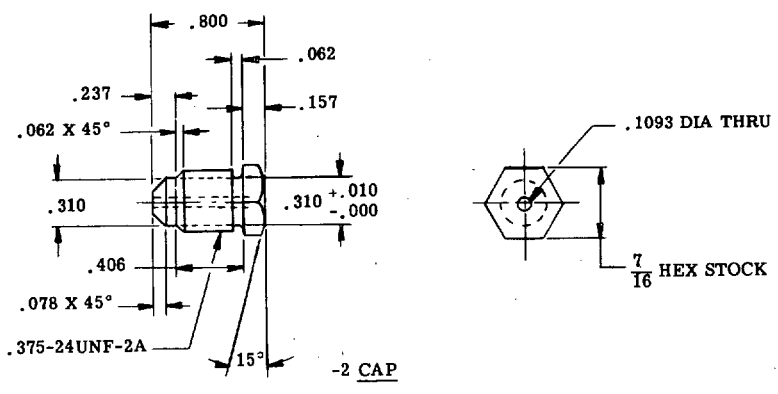


REVIEWER SYMBOLS:
 ARMY - AV
 NAVY - MC
 USAF - 79, 85, 99
 OTHER - ES, NS

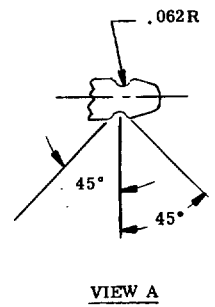
FED. SUP CLASS
 5935

INCHES	mm
.002	0.05
.003	0.08
.005	0.13
.010	0.25
.062	1.57
.078	1.98
.090	2.29
.1093	2.77
.125	3.17
.157	3.99
.237	6.01
.242	6.15
.248	6.30
.250	6.35
.310	7.87
.375	9.53
.406	10.31
.438	11.12
.500	12.70
.800	20.32
.938	23.82
1.188	30.17
1.200	30.48
3.000	76.20



(B) MS PART NO. MS3493-1 AND MS3493-3 ARE NOT FOR AIR FORCE USE.

DASH NO.	DESCRIPTION	SUPERSEDES
-1	PLUG	MS25384-2
-2	CAP	MS25384-4
-3	PLUG & CAP ASSEMBLY	MS25384-2 MS25384-4



- REQUIREMENTS:
- MATERIAL: PLUGS AND CAPS - STAINLESS STEEL, CORROSION RESISTANT, IN ACCORDANCE WITH MIL-S-7720, COMPOSITION 302, CONDITION A.
 - THREADS SHALL BE IN ACCORDANCE WITH MIL-S-7742.
 - SURFACE TEXTURE PER ANSI B46.1.

- NOTES:
- BREAK ALL SHARP EDGES .010-.020 (0.254-0.508mm)
 - UNLESS OTHERWISE SPECIFIED, DIMENSIONS IN INCHES, TOLERANCES: DECIMALS ± .016 (0.406mm), ANGLES ± 1/2°. DIMENSIONING AND TOLERANCING IN ACCORDANCE WITH ANSI Y14.5, 1973.
 - REFERENCED DOCUMENTS SHALL BE OF THE ISSUE IN EFFECT ON DATE OF INVITATION FOR BIDS, OR REQUEST FOR PROPOSAL EXCEPT THAT REFERENCED ADOPTED INDUSTRY DOCUMENTS SHALL GIVE THE DATE OF THE ISSUE ADOPTED.
 - FOR DESIGN FEATURE PURPOSES, THIS STANDARD TAKES PRECEDENCE OVER PROCUREMENT DOCUMENTS REFERENCED HEREIN.
 - METRIC EQUIVALENT (TO THE NEAREST .01mm) ARE GIVEN FOR GENERAL INFORMATION ONLY AND ARE BASED UPON 1 INCH = 25.4mm.

* CERTAIN PROVISIONS OF THIS STANDARD ARE THE SUBJECT OF INTERNATIONAL STANDARDIZATION AGREEMENT ASCC 17/4 AND STANAG 3207. WHEN REVISION OR CANCELLATION OF THIS STANDARD IS PROPOSED WHICH WILL AFFECT OR VIOLATE THE INTERNATIONAL AGREEMENT CONCERNED, THE PREPARING ACTIVITY WILL TAKE APPROPRIATE RECONCILIATION ACTION THROUGH INTERNATIONAL STANDARDIZATION CHANNELS, INCLUDING DEPARTMENTAL STANDARDIZATION OFFICES, IF REQUIRED.

(B) DENOTES CHANGES

P.A. NAVY - AS Other Cust	* INTER- NATIONAL INTEREST	TITLE CONNECTOR, PLUG AND CAP ELECTRIC, GROUNDING	MILITARY STANDARD MS3493
ARMY - EL USAF - 11	ASCC 17/4 STANAG 3207	SUPERSEDES: USAF DWG 69B52267	SHEET. 1 OF 2
PROCUREMENT SPECIFICATION NONE			PROJECT NO. 5935-3028

APPROVED 5 FEB 71
 REVISED A 31 JAN 74 B
 22 SEPT 77

"Review/user information... should be based on the information in the current DODISS."

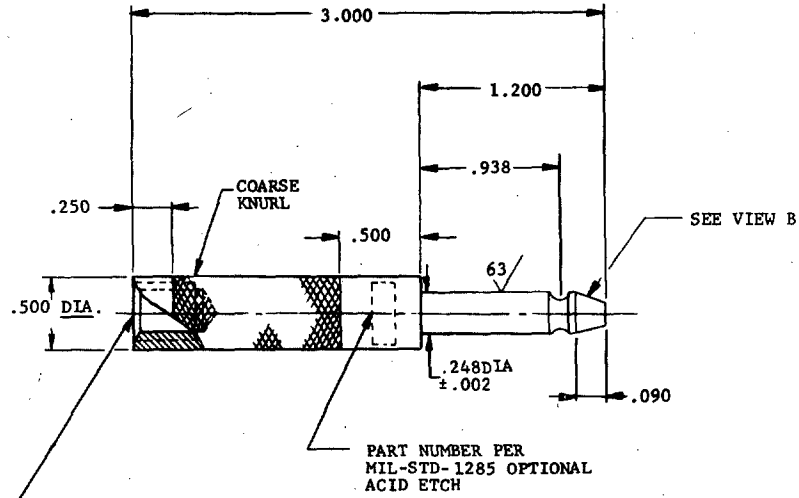
Military standard is approved for use by all Departments, Agencies of the Department of Defense. Selection for all new engineering and design applications and for repetitive use shall be made from this document.

USER SYMBOLS:
ARMY - MC
NAVY - MC
USAF -

REVIEWER SYMBOLS:
ARMY - AV
NAVY -
USAF - 79, 85, 99
OTHER - ES, NS

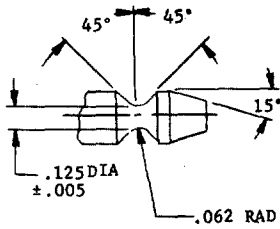
"Review/user information is current as of the date of this document. For future coordination of changes to this document, draft circulation should be based on the information in the current DODISS."

This military standard is approved for use by all Departments & Agencies of the Department of Defense. Selection for all new engineering and design applications and for repetitive use shall be made from this document.



TAP DRILL .500 DEEP
CSK .375 X 110°
.375-24 UNF-2B
.438 DEEP

-4 PLUG



VIEW B

DASH NO.	DESCRIPTION
-4	PLUG
-5	-4 PLUG AND MS3493-2 CAP ASSEMBLY

P.A. NAVY - AS Other Cust ARMY - EL USAF - 11	* INTER- NATIONAL INTEREST ASCC 17/4 STANAG 3207	TITLE CONNECTOR, PLUG AND CAP ELECTRIC, GROUNDING
PROCUREMENT SPECIFICATION NONE	SUPERSEDES: USAF DWG 69B52267	

MILITARY STANDARD
MS3493
SHEET 2 OF 2