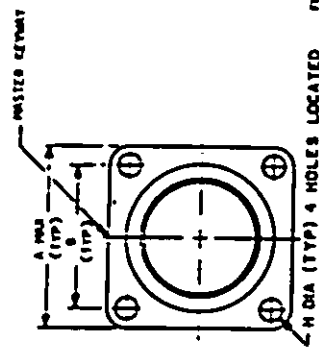
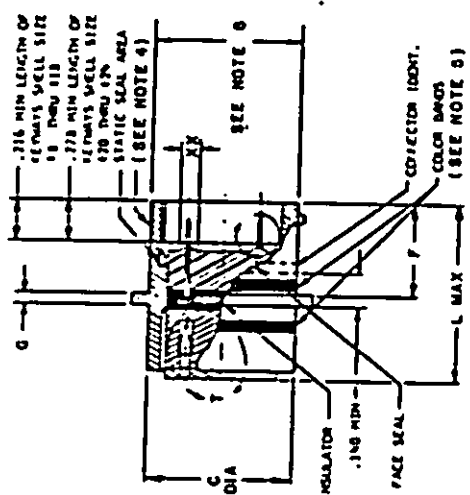
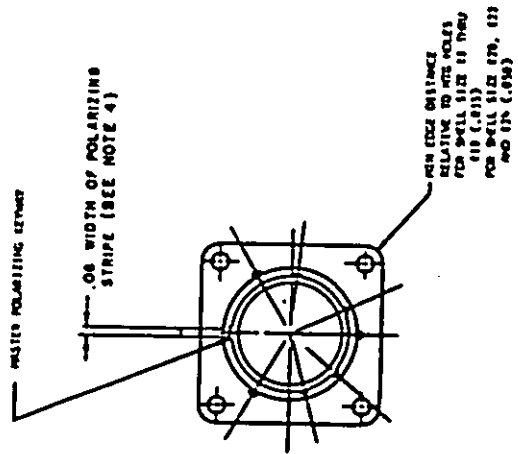


This military standard is approved for use by all Departments and Agencies of the Department of Defense. Selection for all new engineering and design applications and for repetitive use shall be made from this occurrence.

Reviewer activities: Army MU, MI, EL, Navy EC, SH, Air Force 11, 17

User activities: Army AV, Navy, Air Force

FED. SUP CLASS
5935



XX SEE NOTE 6 AND TABLE I FOR CONTACT CAVITIES REQUIRING REDUCED DIMENSION

(A) Entire standard revised

P.A. Navy - AS Other Cus: Army - EL AF - 85	International Interest	TITLE CONNECTORS, RECEPTACLE, ELECTRIC, SERIES 2, HERMETIC, SOLDERLESS, BOX MOUNTING, BAYONET COUPLING, CLASS N	MILITARY STANDARD
Procurement Specification MIL-C-28482		SUPERSEDES: MS3477 (NAVY)	MS 3477 SHEET 1 OF 4

APPROVED 17 Jan 72 REVISED (A) 5 SEPT 1975

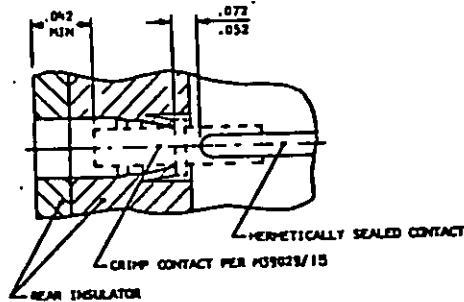
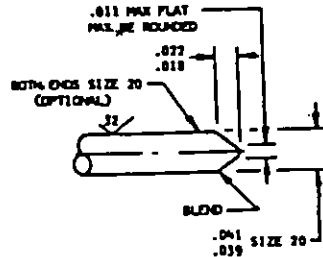
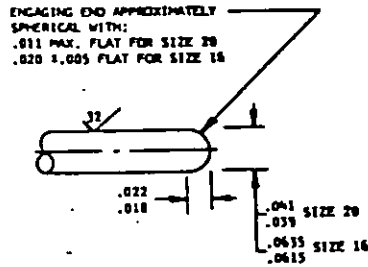
FED. SUP CLASS
5935

User activities: Army AV
Navy
Air Force

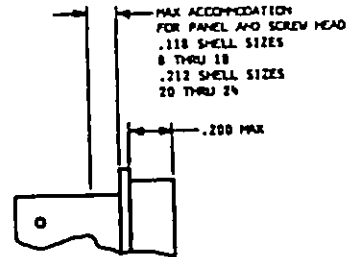
Reviewer activities: Army MU, MI, EL
Navy EC, SH
Air Force 11, 17

This military standard is approved for use by all Departments and Agencies of the Department of Defense. Selection for all new engineering and design applications and for repetitive use shall be made from this document.

ENGAGING END OF CONTACTS



DETAIL T



MAX PANEL THICKNESS (TYP)

APPROVED 17 Jan 72 REVISED (A) Entire standard revised

P.A. Navy - AS	International Interest	TITLE CONNECTORS, RECEPTACLE, ELECTRIC, SERIES 2, HERMETIC, SOLDERLESS, BOX MOUNTING, BAYONET COUPLING, CLASS N	MILITARY STANDARD
Other Cust Army - EL AF - 85			MS 3477
Procurement Specification MIL-C-26482		SUPERSEDES: MS3477 (NAVY)	SHEET 2 OF 4

FED. SUP CLASS
5935

Shell size	A	B	C	F	G	H	L	Panel cutout Dia.	Weight (lbs) Max. Pin insert
8	.828	.594	.563 .557	.704 .680	.078 .046	.120	1.078	.570	(Weight will be supplied in later revision)
10	.954	.719	.673 .667	.704 .680	.078 .046	.120	1.078	.680	
12	1.047	.812	.782 .776	.704 .680	.078 .046	.120	1.078	.789	
14	1.141	.908	.907 .901	.704 .680	.078 .046	.120	1.078	.914	
16	1.234	.969	1.032 1.026	.704 .680	.078 .046	.120	1.078	1.039	
18	1.328	1.062	1.157 1.151	.704 .680	.078 .046	.120	1.078	1.164	
20	1.453	1.156	1.251 1.245	.756 .739	.110 .078	.120	1.140	1.258	
22	1.578	1.250	1.376 1.370	.756 .739	.110 .078	.120	1.140	1.383	
24	1.703	1.375	1.501 1.495	.756 .739	.110 .078	.147	1.140	1.508	

Users activities: Army, AV, Navy, Air Force
 Reviewer activities: Army, MU, MI, EL, Navy, EC, SH, Air Force 11, 17

TABLE I. Reduced diameters (XX).

Shell size	Insert arrangements	Contact cavities
8	-33 & -98	A, B, C.
12	-10	C, G.
14	-12	A, B, C, D, E, F, G, H.
14	-18	A, C, E, G, J, L.
14	-19	B, D, F, H, K, M.
16	-26	A, B, C, D, E, F, G, H, J, K, L, M, N, P, R.
18	-32	A, B, C, D, E, F, G, H, J, K, L, M, N, P, R, S, T.
22	-41	A, B, C, D, E, F, G, H, J, K, L, M, N, P, R, S, T, U, V, W, X, Y.

This military standard is approved for use by all Departments and Agencies of the Department of Defense. Selection for all new engineering and design applications and for repetitive use (1-11) or reuse from 142, recurrent.

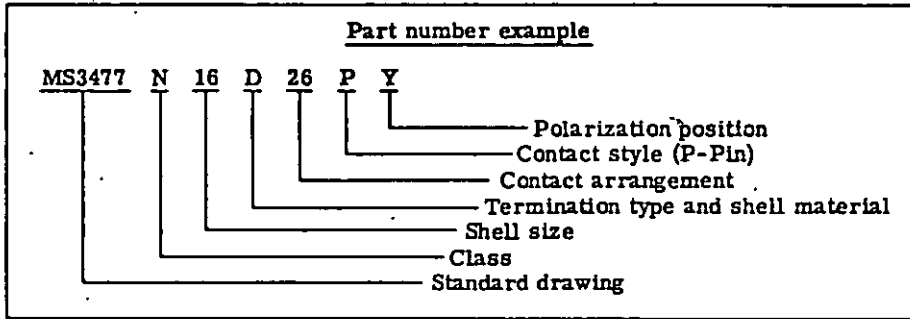
P.A. Navy - AS	INTERNATIONAL INTEREST	TITLE CONNECTORS, RECEPTACLE, ELECTRIC, SERIES 2, HERMETIC, SOLDERLESS, BOX MOUNTING, BAYONET COUPLING, CLASS N	MILITARY STANDARD
Other Cust: Army - EL AF - 85			MS 3477
Procurement Specification MIL-C-26482		SUPERSEDES: MS3477 (NAVY)	SHEET 3 OF 4

APPROVED 17 Jan 72 REVISED (A) Entire standard revised

FED. SUP CLASS
5935

User activities: Army AV
Navy
Air Force

Reviewer activities: Army MU, MI, EL
Navy EC, SH
Air Force 11, 17



NOTES:

1. Dimensions are in inches.
2. Tolerances shall be .XX ± .01, .XXX ± .005, angular X° ± 1' and X°X' ± 30'.
3. True position (TP) tolerances specified are in accordance with ANSI Y14.5-1973.
4. Polarizing stripe, color optional.
5. Color band: .070 ± .031 wide, color blue. Band location must be such that it is visible when mounting.
6. Insert arrangements requiring reduced diameters for raised seal barriers on outer row of contact cavities as indicated. (See table I).
7. The complete requirements for procuring this connector described herein shall consist of this document and the issue in effect of MIL-C-26482.
8. Interchangeability dimensions shall be in accordance with MIL-C-26482.
9. Contact MIL-C-39029/22-XX-XX must be used for wire termination.
10. For insert arrangements see MIL-STD-1669.
11. Shell material: Cold rolled steel, per QQ-S-637.
12. Shell finish: .0001 minimum tin per MIL-T-10727, over nickel per QQ-N-290.
13. Insertion/removal tool MS3160-XX to be used with this connector.
14. Maximum wire diameter permissible: .074 for size 20 contact, .103 for size 16 contact.
15. For design feature purposes, this standard takes precedence over procurement documents referenced herein.
16. Referenced documents shall be of the issue in effect on date of invitations for bids.

This military standard is approved for use by all Departments and Agencies of the Department of Defense. Selection for all new engineering and design applications and for repetitive use shall be made from this document.

P.A. Navy - AS	International interest	TITLE CONNECTORS, RECEPTACLE, ELECTRIC, SERIES 2, HERMETIC, SOLDERLESS, BOX MOUNTING, BAYONET COUPLING, CLASS N	MILITARY STANDARD
Other Cust Army - EL AF - 85			MS 3477
Procurement Specification MIL-C-26482	SUPERSEDES:	MS3477 (NAVY)	SHEET 4 OF 4

APPROVED 17 Jan 72 REVISED (A) Entire standard revised