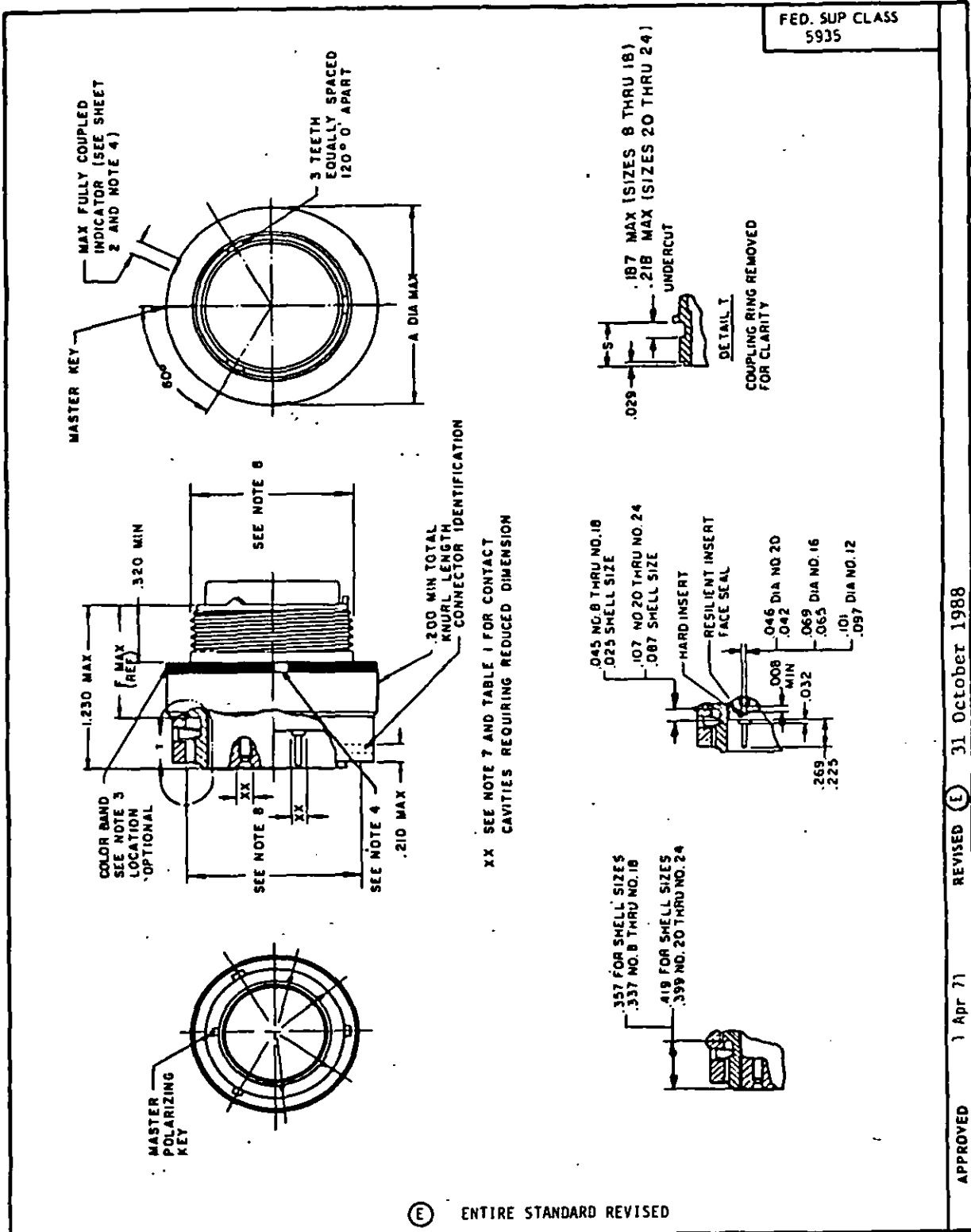


User activities: Army - AV
Navy - MC
Air Force -

Review activities: Army - AR
Navy - EC, SH
Air Force - 11, 99

This military standard is approved for use by all Departments and Agencies of the Department of Defense. Selection for all new engineering and design applications and for repetitive use shall be made from this document when applicable.



FED. SUP CLASS 5935

(E) ENTIRE STANDARD REVISED

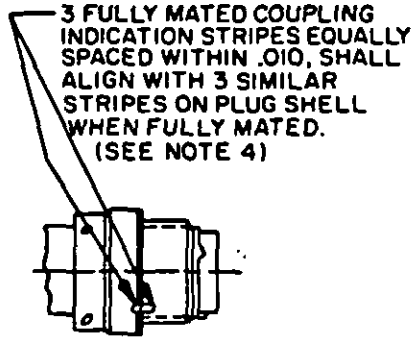
APPROVED 1 Apr 71 REVISED 31 October 1988

| | | | |
|--|---|---|-------------------|
| P.A Army - CR Other Cust Navy - AS AF - 85 | International Interest | TITLE CONNECTORS, PLUG, ELECTRIC, SERIES 2, CRIMP TYPE, BAYONET COUPLING, CLASSES A, L, S, AND W | MILITARY STANDARD |
| | | | MS 3476 |
| Procurement Specification MIL-C-26482 | SUPERSEDES: MS3476 (Navy) MIL-C-83723/138, MIL-C-83723/14B | | PAGE 1 OF 4 |

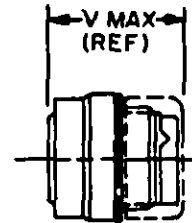
User activities: Army - AV
Navy - MC
Air Force -

Review activities: Army - AR
Navy - EC, SH
Air Force - 11, 99

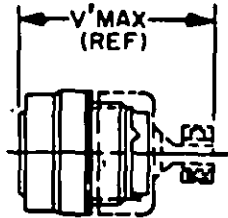
This military standard is approved for use by all Departments and Agencies of the Department of Defense. Selection for all new engineering and design applications and for repetitive use shall be made from this document when applicable.



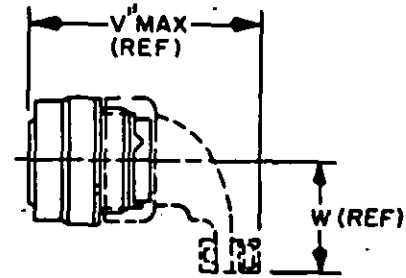
COUPLED POSITION



ASSEMBLED TO STRAIGHT BACKSHELL LESS STRAIN RELIEF (SEE NOTE 6)



ASSEMBLED TO STRAIGHT BACKSHELL WITH STRAIN RELIEF (SEE NOTE 6)



ASSEMBLED TO 90° BACKSHELL WITH STRAIN RELIEF (SEE NOTE 6)

APPROVED 1 Apr 71 REVISED (E) ENTIRE STANDARD REVISED

| | | | |
|--|---------------------------|---|-------------------|
| P.A Army - CR Other Cust Navy - AS AF - 85 | International Interest | TITLE CONNECTORS, PLUG, ELECTRIC, SERIES 2, CRIMP TYPE, BAYONET COUPLING, CLASSES A, L, S, AND W | MILITARY STANDARD |
| | | | MS3476 |
| Procurement Specification MIL-C-26482 | | SUPERSEDES: MS3476 (Navy) MIL-C-83723/13B, MIL-C-83723/14B | PAGE 2 OF 4 |

FED. SUP CLASS
5935

User activities: Army - AV
Navy - MC
Air Force -

Review activities: Army - AR
Navy - EC, SH
Air Force - 11, 99

This military standard is approved for use by all Departments and Agencies of the Department of Defense. Selection for all new engineering and design applications and for repetitive use shall be made from this document when applicable.

| Inches | mm | Inches | mm |
|--------|------|--------|-------|
| .008 | 0.20 | .101 | 2.57 |
| .010 | 0.25 | .107 | 2.72 |
| .025 | 0.64 | .141 | 3.58 |
| .029 | 0.74 | .200 | 5.08 |
| .032 | 0.81 | .210 | 5.33 |
| .042 | 1.07 | .225 | 5.72 |
| .045 | 1.14 | .269 | 6.83 |
| .046 | 1.17 | .320 | 8.13 |
| .065 | 1.65 | .337 | 8.56 |
| .069 | 1.75 | .357 | 9.07 |
| .087 | 2.21 | .399 | 10.13 |
| .097 | 2.46 | .419 | 10.64 |
| | | 1.230 | 31.24 |

| Size | A | F | S | V | V' | V" | W | Max weight (lbs)* | |
|------|------------------|-----------------|----------------------------|------------------|------------------|------------------|------------------|-------------------|------------------|
| | | | | | | | | Pin | Socket |
| 8 | .782 (19.86) | .887 (22.53) | .363/.343 (9.22/8.71) | 1.507 (38.28) | 1.857 (47.17) | 2.130 (54.10) | .830 (21.08) | .0204 (.518) | .0216 (.549) |
| 10 | .926 (23.52) | .887 (22.53) | .363/.343 (9.22/8.71) | 1.507 (38.28) | 1.857 (47.17) | 2.130 (54.10) | .880 (22.35) | .0406 (1.031) | .0421 (1.069) |
| 12 | 1.043 (26.49) | .887 (22.53) | .363/.343 (9.22/8.71) | 1.507 (38.28) | 1.957 (47.17) | 2.265 (57.53) | .950 (24.13) | .0505 (1.283) | .0536 (1.361) |
| 14 | 1.183 (30.05) | .887 (22.53) | .363/.343 (9.22/8.71) | 1.507 (38.28) | 2.092 (53.14) | 2.355 (59.82) | 1.010 (25.65) | .0639 (1.623) | .0692 (1.758) |
| 16 | 1.305 (33.15) | .887 (22.53) | .363/.343 (9.22/8.71) | 1.507 (38.28) | 2.092 (53.14) | 2.490 (63.25) | 1.070 (27.18) | .0788 (2.002) | .0880 (2.235) |
| 18 | 1.391 (35.33) | .887 (22.53) | .363/.343 (9.22/8.71) | 1.507 (38.28) | 2.092 (53.14) | 2.589 (65.76) | 1.130 (28.70) | .0864 (2.195) | .0957 (2.431) |
| 20 | 1.531 (38.89) | .825 (20.96) | .425/.405 (10.80/10.29) | 1.507 (38.28) | 2.092 (53.14) | 2.722 (69.14) | 1.190 (30.23) | .1016 (2.581) | .1114 (2.830) |
| 22 | 1.656 (42.06) | .825 (20.96) | .425/.405 (10.80/10.29) | 1.507 (38.28) | 2.092 (53.14) | 2.845 (72.26) | 1.260 (32.00) | .1241 (3.152) | .1363 (3.462) |
| 24 | 1.777 (45.14) | .825 (20.96) | .425/.405 (10.80/10.29) | 1.507 (38.28) | 2.092 (53.14) | 2.967 (75.36) | 1.320 (33.53) | .1400 (3.556) | .1916 (4.867) |

*Less contacts and accessories. Maximum weights do not apply to class S.

| | | | |
|--|--|---|-------------------|
| P.A Army - CR Other Cust Navy - AS AF - 85 | International Interest | TITLE CONNECTORS, PLUG, ELECTRIC, SERIES 2, CRIMP TYPE, BAYONET COUPLING, CLASSES A, L, S, AND W | MILITARY STANDARD |
| | | | MS3476 |
| Procurement Specification MIL-C-26482 | SUPERSEDES: MS3476 MIL-C-83723/13B, MIL-C-83723/14B | PAGE 3 OF 4 | |

APPROVED 1 Apr 71 REVISED ENTIRE STANDARD REVISED

User activities: Army - AV
Navy - MC
Air Force -

Review activities: Army - AR
Navy - EC, SH
Air Force - 11, 99

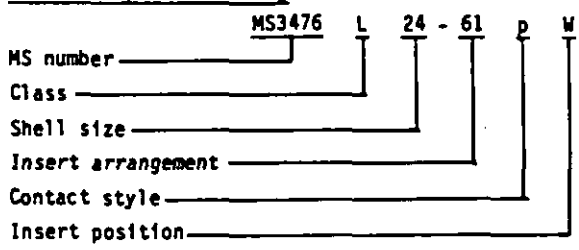
This military standard is approved for use by all Departments and Agencies of the Department of Defense. Selection for all new engineering and design applications and for repetitive use shall be made from this document when applicable.

FED. SUP CLASS
5935

TABLE I. Reduced diameters (XX).

| Shell size | Insert arrangements | Contact cavities |
|------------|---------------------|--|
| 8 | -33 and -98 | A, B, C |
| 12 | -10 | C, G |
| 14 | -12 | A, B, C, D, E, F, G, H |
| 14 | -18 | A, C, E, G, J, L |
| 14 | -19 | B, D, F, H, K, M |
| 16 | -26 | A, B, C, D, E, F, G, H, J, K, L, M, N, P, R |
| 18 | -32 | A, B, C, D, E, F, G, H, J, K, L, M, N, P, R, S, T |
| 22 | -41 | A, B, C, D, E, F, G, H, J, K, L, M, N, P, R, S, T, U, V, W, X, Y |

Connector part numbering



NOTES:

- Dimensions are in inches
- Unless otherwise specified, tolerances are ± 0.005 (0.13 mm) for three place decimals and ± 0.01 (0.03 mm) for two place decimals, and angular tolerances are $\pm 0^\circ 1'$ and $0^\circ 0' \pm 30'$.
- Color band: $.070 \pm 0.031$ (1.78 ± 0.79 mm) wide, color blue.
- Coupling indicator, color optional.
- The complete requirements for procuring this connector described herein shall consist of this document and the issue in effect of MIL-C-26482.
- Connector assembly must be used with a backshell. Backshell must be procured separately. See MIL-C-85049 for applicable backshells.
- Insert arrangements requiring reduced diameters for raised seal barriers or lead-in chamfer on outer row of contact cavities as indicated (see table II).
- Intermateability and rear accessory interchangeability dimensions shall be in accordance with MIL-C-26482.
- For insert arrangements see MIL-STD-1669.
- Connector identification marking shall be in accordance with MIL-C-26482. Example: MS3476 L----, M83723-14 R----, (minimum height does not apply to shell sizes 8, 10, and 12).
- Class E cancelled and replaced by class L.
- In the event of conflict between the text of this standard and the references cited herein, the text of this standard shall take precedence.
- Referenced Government documents of the issue listed in that issue of the Department Defense Index of Specifications and Standards (DODISS) specified in the solicitation form a part of this standard to the extent specified herein.
- Metric equivalents are given for general information only.
- Metric equivalents are in parentheses.

| | | | |
|---|---------------------------|---|-------------------|
| P.A Army - CR | International Interest | TITLE CONNECTORS, PLUG, ELECTRIC, SERIES 2, CRIMP TYPE, BAYONET COUPLING, CLASSES A, L, S, AND W | MILITARY STANDARD |
| Other Cust Navy - AS AF - 85 | | | MS3476 |
| Procurement Specification MIL-C-26482, | | SUPERSEDES: MS3476 (Navy) MIL-C-83723/13B, MIL-C-83723/14B | PAGE 4 OF 4 |

APPROVED 1 Apr 71 REVISED ENTIRE STANDARD REVISED