

INCH-POUND

MS3472E
w/AMENDMENT 2
27 October 2015
SUPERSEDING
MS3472E
w/AMENDMENT 1
23 August 2010

DETAIL SPECIFICATION SHEET

CONNECTORS, RECEPTACLE, ELECTRICAL, SERIES 2, CRIMP TYPE,
WIDE FLANGE MOUNTING, BAYONET COUPLING, CLASSES A, D, L, T, W AND K

Reactivated after 4 June 2009, and may be used
for new and existing designs and acquisitions.

This specification is approved for use by all Departments
and Agencies of the Department of Defense.

The requirements for acquiring the product described herein
shall consist of this specification sheet and MIL-DTL-26482.

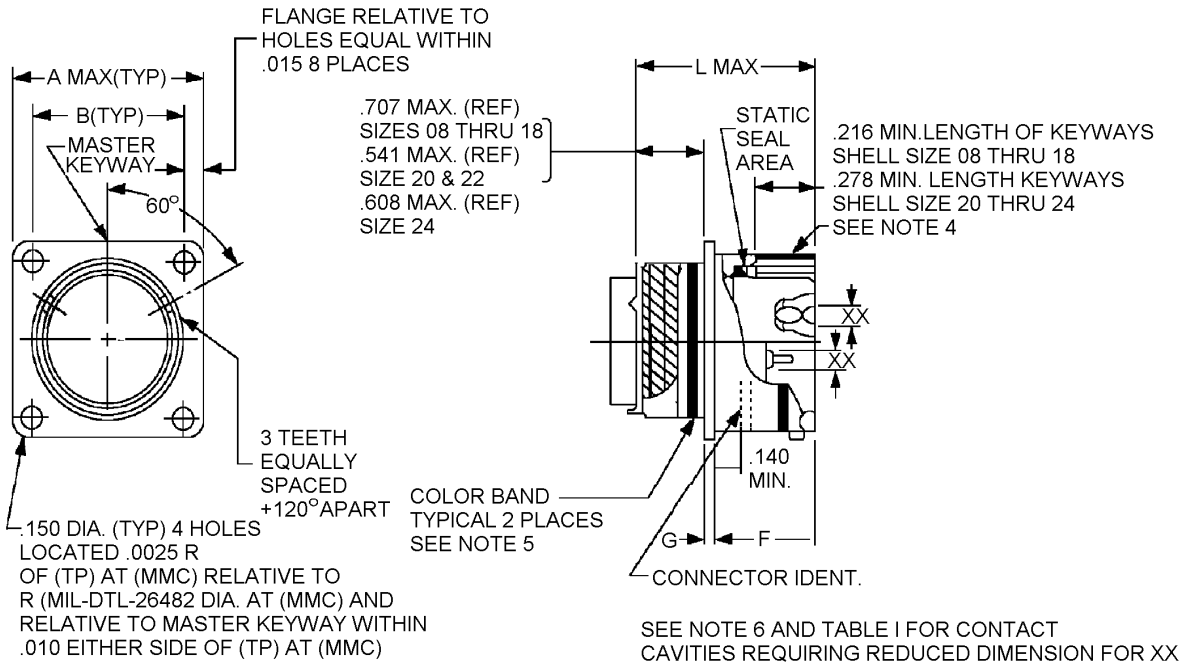


FIGURE 1. Receptacle, dimensions and configurations.



MS3472E
w/AMENDMENT 2

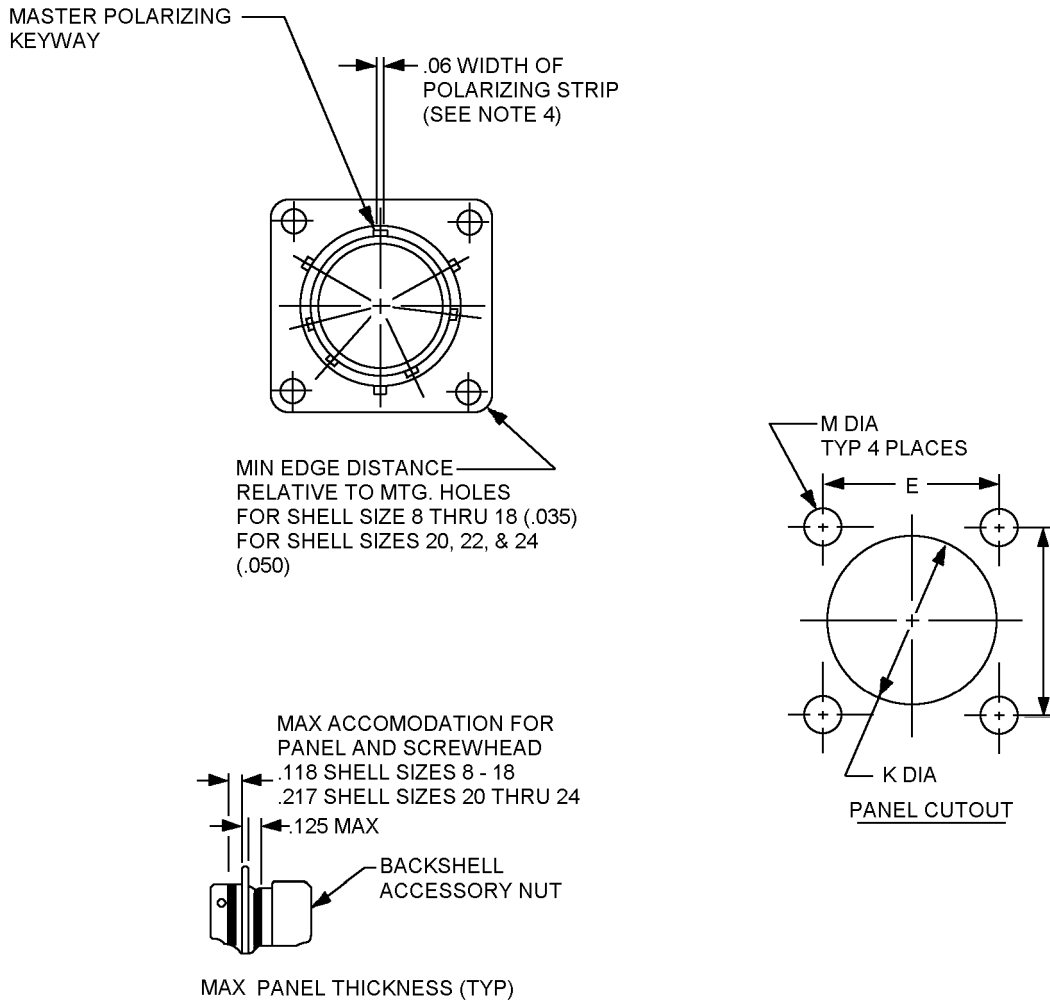


FIGURE 1. Receptacle, dimensions and configurations - Continued.

MS3472E
w/AMENDMENT 2

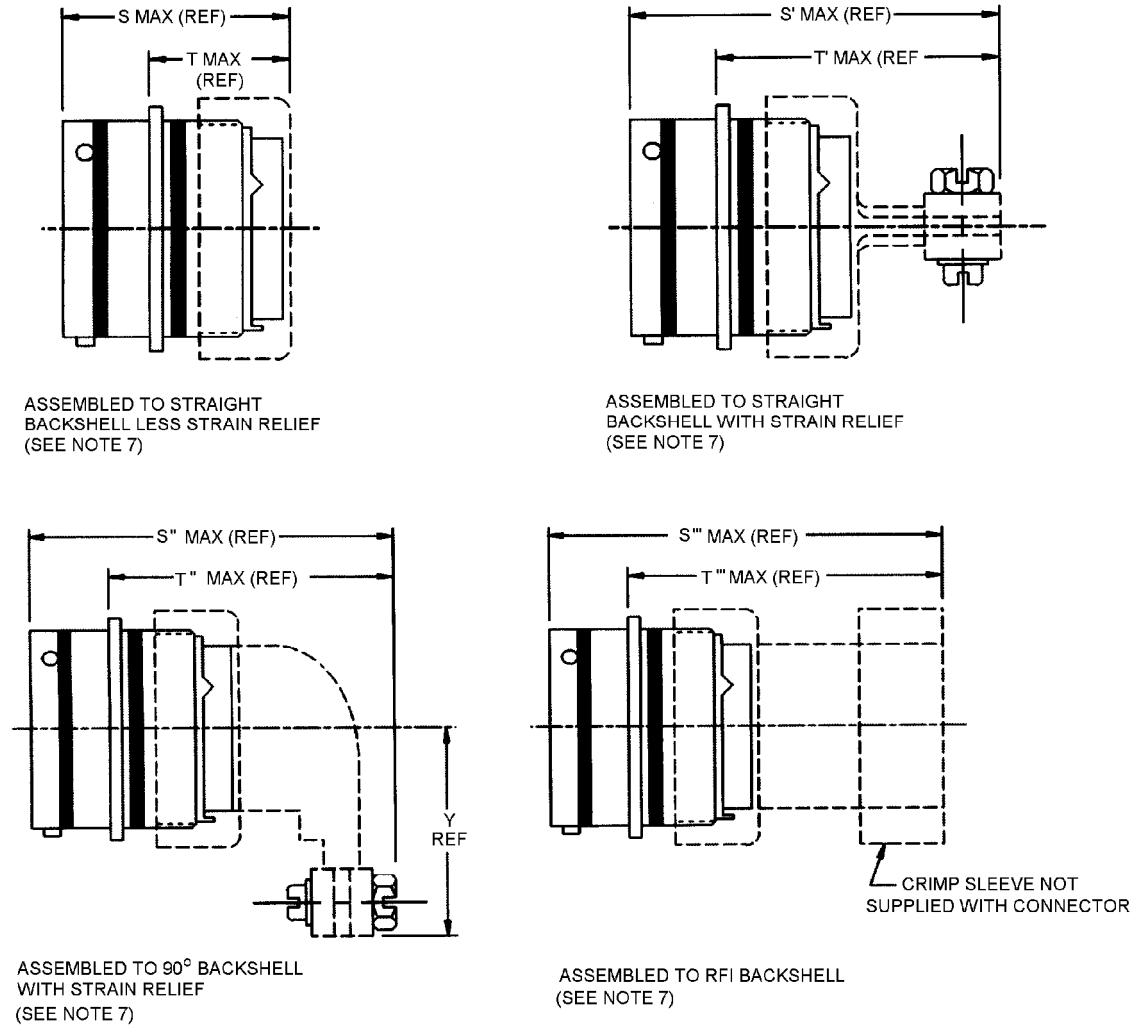


FIGURE 1. Receptacle, dimensions and configurations - Continued.

MS3472E
w/AMENDMENT 2

Shell size	A	B	E	F	G
8	1.065 (27.05)	.734 (18.64)	.734 (18.64)	.493 / .462 (12.52/11.73)	.078 / .046 (1.98/1.17)
10	1.141 (28.98)	.812 (20.62)	.812 (20.62)		
12	1.266 (32.16)	.938 (23.83)	.938 (23.83)		
14	1.360 (34.54)	1.031 (26.19)	1.031 (26.19)		
16	1.453 (36.91)	1.125 (28.58)	1.125 (28.58)		
18	1.532 (38.91)	1.203 (30.56)	1.203 (30.56)		
20	1.688 (42.88)	1.297 (32.94)	1.297 (32.94)	.587 / .556 (14.91/14.12)	.110 / .078 (2.79/1.98)
22	1.766 (44.86)	1.375 (34.93)	1.375 (34.93)		
24	1.891 (48.03)	1.500 (38.10)	1.500 (38.10)		

Shell size	K	L	M	S	S'
8	.563 / .573 (14.30/14.55)	1.215 (30.86)	.140 / .160 (3.56/4.06)	1.492 (37.90)	1.842 (46.79)
10	.680 / .690 (17.27/17.53)				
12	.859 / .869 (21.82/22.07)				
14	.984 / .994 (24.99/25.25)				2.077 (52.76)
16	1.108 / 1.118 (28.14/28.40)				
18	1.233 / 1.243 (31.32/31.57)				
20	1.358 / 1.368 (34.49/34.75)	1.275 (32.39)	1.552 (39.42)	2.137 (54.28)	
22	1.483 / 1.493 (37.67/37.92)				
24	1.610 / 1.620 (40.89/41.15)				

FIGURE 1. Receptacle, dimensions and configurations - Continued.

MS3472E
w/AMENDMENT 2

Shell size	S"	S'''	T	T'	T''	T'''	U	Pin max weight lbs (grams) (see note 9)	Socket max weight lbs (grams) (see note 9)
8	2.115 (53.72)	2.339 (59.41)	1.030 (26.16)	1.380 (35.05)	1.653 (41.99)	1.920 (48.77)	.830 (21.08)	.0190 (8.6)	.0200 (9.1)
10		2.339 (59.41)	1.030 (26.16)		1.788 (45.42)		.880 (22.35)	.0244 (11.1)	.0258 (11.7)
12	2.250 (57.15)				1.878 (47.70)		.950 (24.13)	.0375 (17.1)	.0406 (18.4)
14	2.340 (59.44)	2.339 (59.41)	1.030 (26.16)	1.615 (41.02)	2.013 (51.13)		1.070 (27.18)	.0449 (20.4)	.0502 (22.8)
16	2.475 (62.87)			2.112 (53.64)	1.130 (28.70)		.0547 (24.8)	.0667 (30.3)	
18	2.574 (65.38)			1.190 (30.23)	.0685 (31.1)		.0790 (35.8)		
20	2.767 (70.28)	2.399 (60.93)	.996 (25.30)	1.581 (40.16)	2.211 (56.16)		1.855 (47.12)	1.260 (32.00)	.0851 (38.6)
22	2.890 (73.41)	2.399 (60.93)	.996 (25.30)	1.581 (40.16)	2.334 (59.28)	1.320 (33.53)		.0968 (43.9)	.1128 (51.2)
24	3.012 (76.50)			1.548 (39.32)	2.423 (61.54)	1.822 (46.28)	.1142 (51.8)	.1341 (60.8)	

Inches	mm	Inches	mm
.0025	0.064	.150	3.81
.015	0.38	.212	5.38
.035	0.89	.216	5.49
.050	1.27	.278	7.06
.060	1.52	.608	15.44
.118	3.00	.641	16.28
.125	3.18	.707	17.96

FIGURE 1. Receptacle, dimensions and configurations - Continued.

MS3472E
w/AMENDMENT 2

NOTES:

1. Dimensions are in inches. Metric equivalents are given for information only.
2. Unless otherwise specified, tolerances are $\pm .005$ (0.13 mm) for 3 place decimals, $\pm .01$ (0.3 mm) for 2 place decimals, and $\pm 1^\circ 30'$ for all angles.
3. True position (TP) tolerances specified are in accordance with ASME Y14.5.
4. Polarizing stripes, color optional.
5. Color bands: $.070 \pm .031$ (1.78 ± 0.79 mm) wide, color blue. Band location must be such that it is visible when mounting.
6. Insert arrangements requiring reduced diameters for raised seal barrier on outer row of contact cavities as indicated.
7. Connector assembly must be used with a backshell. Backshells must be procured separately. See SAE-AS85049 for applicable backshells.
8. Metric equivalents are in parentheses and are in millimeters.
9. Weight is measured less contacts and accessories.

FIGURE 1. Receptacle, dimensions and configurations - Continued.

TABLE I. Contact cavities requiring reduced diameters (XX) for pins and sockets in outer row of contact cavities. 1/

Shell size	Insert arrangement	Contact cavities
8	-33 & -98	A, B, C
12	-10	C, G
14	-12	A, B, C, D, E, F, G, H
14	-18	A, C, E, G, J, L
14	-19	B, D, F, H, K, M
16	-26	A, B, C, D, E, F, G, H, J, K, L, M, N, P, R
18	-32	A, B, C, D, E, F, G, H, J, K, L, M, N, P, R, S, T
22	-41	A, B, C, D, E, F, G, H, J, K, L, M, N, P, R, S, T, U, V, W, X, Y

1/ The reduced diameter "XX" refers to the diameters of the raised seal barriers (pin barrier rings) or lead-in chamfers (socket entry holes) to ensure proper sealing of pin and socket after mating. See MIL-DTL-26482, connector intermateability control dimensions (series 1 and series 2) figure for reduced diameter "XX" for contact size 20 only.

REQUIREMENTS:

Dimensions and configuration: See figure 1 and table I.

Connector mating: This connector mates with MS3475 and MS3476.

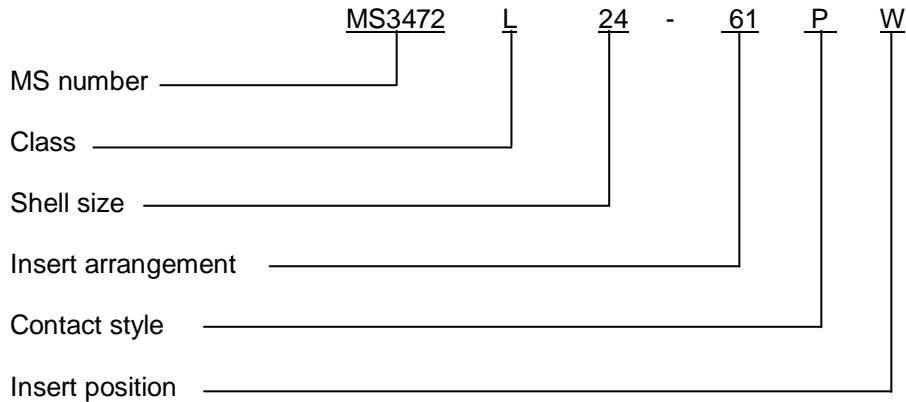
For insert arrangements, see MIL-STD-1669.

Connector identification marking shall be in accordance with MIL-DTL-26482. Example: MS3471L----, (minimum height does not apply to shell sizes 8, 10 and 12).

Class E is cancelled and superseded by class L. Class Z is cancelled and superseded by class K. Intermateability and rear accessory interchangeability dimensions shall be in accordance with MIL-DTL-26482.

MS3472E
w/AMENDMENT 2

Part or Identifying Number (PIN) example:



Amendment notations. The margins of this specification are marked with vertical lines to indicate modifications generated by this amendment. This was done as a convenience only and the Government assumes no liability whatsoever for any inaccuracies in these notations. Bidders and contractors are cautioned to evaluate the requirements of this document based on the entire content irrespective of the marginal notations.

Referenced documents. In addition to MIL-DTL-26482, this document references the following:

MS3475
MS3476
MIL-STD-1669
ASME Y14.5
SAE-AS85049

CONCLUDING MATERIAL

Custodians:
Army - CR
Navy - AS
Air Force - 85
DLA - CC

Preparing activity:
DLA - CC

(Project 5935-2015-218)

Review activities:
Army - AR, AV
Navy - EC, SH
Air Force - 99

NOTE: The activities listed above were interested in this document as of the date of this document. Since organizations and responsibilities can change, you should verify the currency of the information above using the ASSIST Online database at <https://assist.dla.mil>.