

INCH-POUND

MS3440D
 14 January 2011
 SUPERSEDING
 MS3440C
 1 March 2007

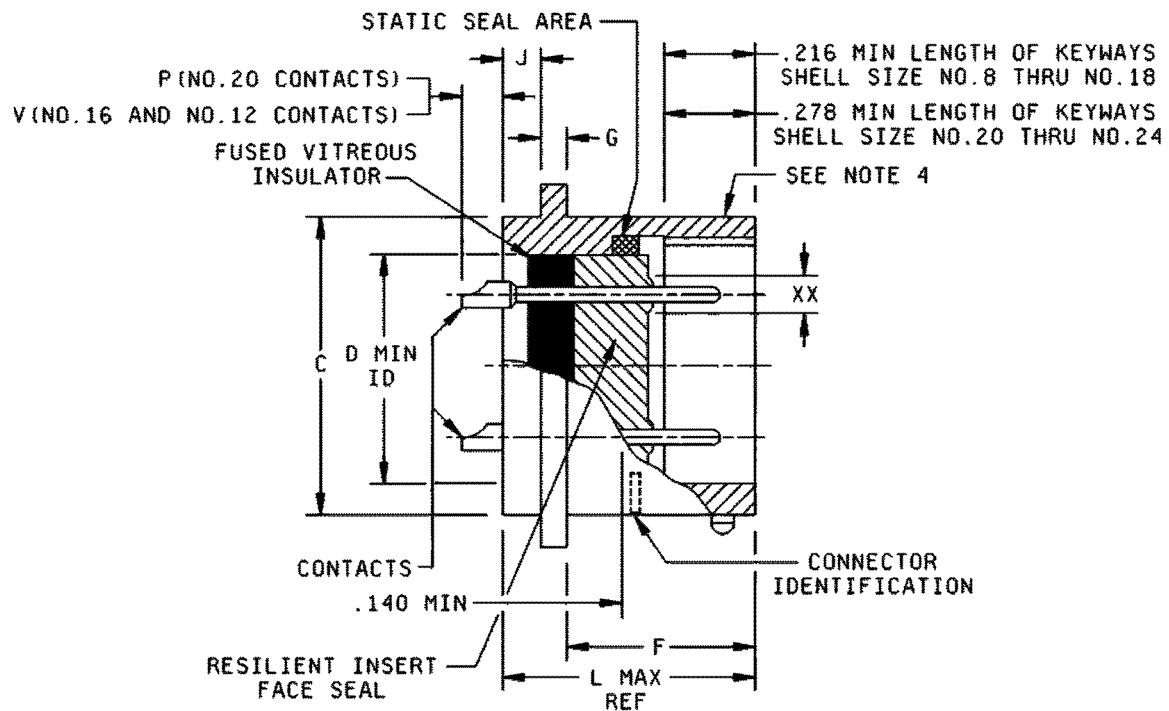
DETAIL SPECIFICATION SHEET

CONNECTORS, RECEPTACLE, ELECTRICAL, NARROW FLANGE MOUNT,
 BAYONET COUPLING, SOLDER PIN CONTACT, CLASS H, SERIES 2

Inactive for new design after 15 December 1998.

This specification is approved for use by all Departments and
 Agencies of the Department of Defense.

The requirements for acquiring the product described herein
 shall consist of this specification sheet and MIL-DTL-26482.

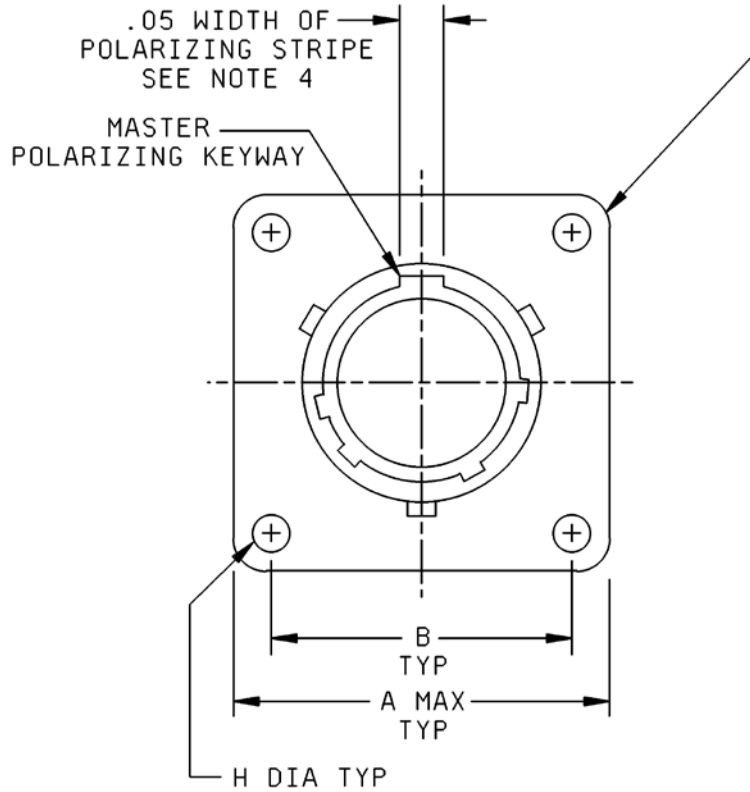


NOTE: For "XX", see note 5 and table I for contact cavities requiring reduced dimensions.

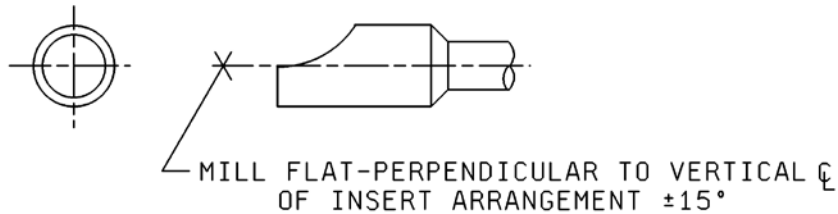
FIGURE 1. Receptacle, class H, dimensions and configurations.

MS3440D

MIN EDGE DISTANCE RELATIVE TO MTG HOLES
 FOR SHELL SIZE NO.8 THRU NO.18 (.035)
 FOR SHELL SIZES NO.20,22 AND NO.24 (.050)



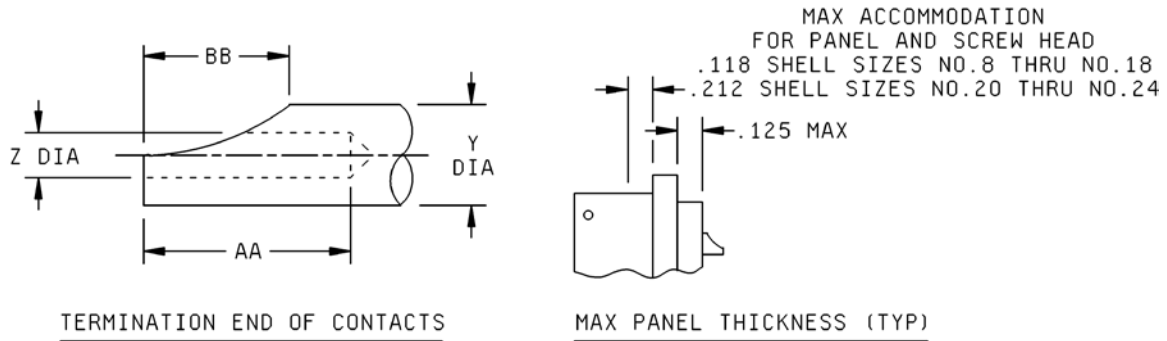
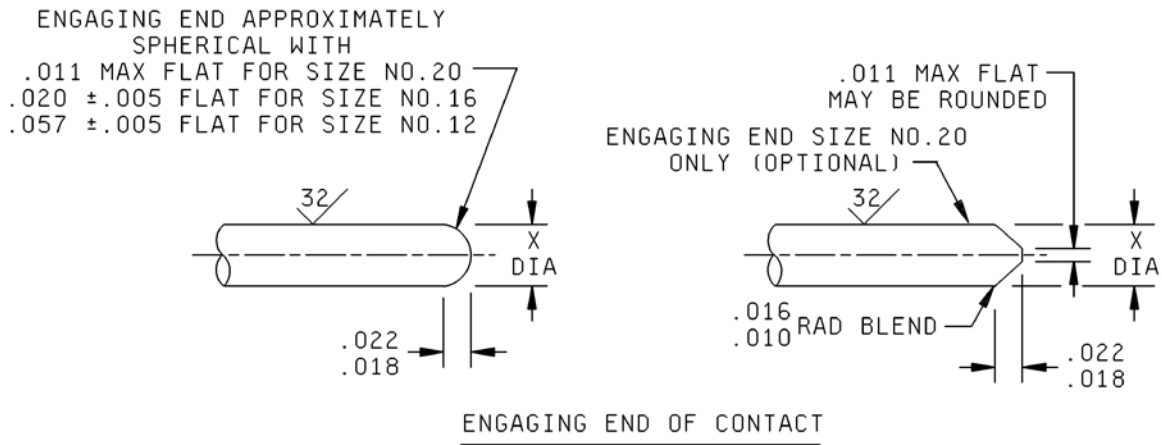
4 HOLES LOCATED WITHIN .0025 RAD
 OF (TP) AT (MMC) RELATIVE TO D
 (MIL-DTL-26482) DIA AT (MMC) AND
 RELATIVE TO MASTER KEYWAY WITHIN
 .010 EITHER SIDE OF (TP) AT (MMC)



SOLDER POT ORIENTATION

FIGURE 1. Receptacle, class H, dimensions and configurations - Continued.

MS3440D



Contact size	X	Y	Z	AA	BB
20	.041 (1.04)	.088 (2.24)	.048 (1.22)	.188 (4.78)	.110 (2.79)
	.039 (0.99)	.061 (1.55)	.042 (1.07)	.109 (2.77)	.068 (1.73)
16	.0635 (1.61)	.116 (2.95)	.075 (1.91)	.251 (6.38)	.141 (3.58)
	.0615 (1.56)	.096 (2.44)	.069 (1.75)	.172 (4.37)	.109 (2.77)
12	.095 (2.41)	.150 (3.81)	.122 (3.10)	.251 (6.38)	.141 (3.58)
	.093 (2.36)	.130 (3.30)	.112 (2.84)	.172 (4.37)	.109 (2.77)

FIGURE 1. Receptacle, class H, dimensions and configurations - Continued.

MS3440D

Shell size	A	B	C	D dia (min ID)	F	G
8	.828 (21.03)	.594 (15.09)	.563 (14.30) .557 (14.15)	.361 (9.17)	.598 (15.19) .578 (14.68)	.078 (1.98) .046 (1.17)
10	.954 (24.23)	.719 (18.26)	.673 (17.09) .667 (16.94)	.489 (12.42)	.598 (15.19) .578 (14.68)	.078 (1.98) .046 (1.17)
12	1.047 (26.59)	.812 (20.62)	.782 (19.86) .776 (19.71)	.606 (15.39)	.598 (15.19) .578 (14.68)	.078 (1.98) .046 (1.17)
14	1.141 (28.98)	.906 (23.01)	.907 (23.04) .901 (22.89)	.731 (18.57)	.598 (15.19) .578 (14.68)	.078 (1.98) .046 (1.17)
16	1.234 (31.34)	.969 (24.61)	1.032 (26.21) 1.026 (26.06)	.856 (21.74)	.598 (15.19) .578 (14.68)	.078 (1.98) .046 (1.17)
18	1.328 (33.73)	1.062 (26.97)	1.157 (29.39) 1.151 (29.24)	.961 (24.41)	.598 (15.19) .578 (14.68)	.078 (1.98) .046 (1.17)
20	1.453 (36.91)	1.156 (29.36)	1.251 (31.78) 1.245 (31.62)	1.086 (27.58)	.660 (16.76) .640 (16.26)	.110 (2.79) .078 (1.98)
22	1.578 (40.08)	1.250 (31.75)	1.376 (34.95) 1.370 (34.80)	1.211 (30.76)	.660 (16.76) .640 (16.26)	.110 (2.79) .078 (1.98)
24	1.703 (43.26)	1.375 (34.93)	1.501 (38.13) 1.495 (37.97)	1.336 (33.93)	.660 (16.76) .640 (16.26)	.110 (2.79) .078 (1.98)

FIGURE 1. Receptacle, class H, dimensions and configurations - Continued.

MS3440D

Shell size	H	J	L	P	V	Panel cutout dia	Max weight lbs (grams)
8	.120 (3.05)	.125 (3.18) .105 (2.67)	.801 (20.35)	.178 (4.52) .118 (3.00)	.248 (6.30) .188 (4.78)	.570 (14.48)	.038 (17.24)
10						.680 (17.27)	.044 (19.96)
12						.789 (20.04)	.052 (23.59)
14						.914 (23.22)	.070 (31.75)
16						1.039 (26.39)	.085 (38.56)
18						1.164 (29.57)	.098 (44.45)
20						1.258 (31.95)	.110 (49.90)
22						1.383 (35.13)	.150 (68.04)
24	.147 (3.73)	.105 (2.67)	.895 (22.73)	.146 (3.71) .086 (2.18)	.216 (5.49) .156 (3.96)	1.508 (38.30)	.280 (127.01)

Inches	mm	Inches	mm
.0025	0.064	.044	1.12
.005	0.13	.050	1.27
.010	0.25	.057	1.45
.011	0.28	.060	1.50
.016	0.41	.070	1.78
.018	0.46	.118	3.00
.020	0.51	.140	3.56
.022	0.56	.212	5.38
.035	0.89	.216	5.49
		.278	7.06

NOTES:

1. Dimensions are in inches.
2. Metric equivalents are given for information only.
3. Dimensional tolerances are .XX ± .01 inches (0.25 mm) and .XXX ± .005 (0.13 mm).
Angular tolerances are X° ± 1°.
4. Polarizing stripes, color optional.
5. Insert arrangements requiring reduced diameters for raised seal barriers on outer row of contact cavities as indicated.
6. True position (TP) tolerances specified are in accordance with ASME Y14.5.

FIGURE 1. Receptacle, class H, dimensions and configurations - Continued.

MS3440D

TABLE I. Contact cavities requiring reduced diameters (XX) for pins in outer row of contact cavities. ^{1/}

Shell size	Insert arrangement	Contact cavities
8	-33 and -98	A, B, C
12	-10	C, G
14	-12	A, B, C, D, E, F, G, H
14	-18	A, C, E, G, J, L
14	-19	B, D, F, H, K, M
16	-26	A, B, C, D, E, F, G, H, J, K, L, M, N, P, R
18	-32	A, B, C, D, E, F, G, H, J, K, L, M, N, P, R, S, T
22	-41	A, B, C, D, E, F, G, H, J, K, L, M, N, P, R, S, T, U, V, W, X, Y

^{1/} The reduced diameter "XX" refers to the diameters of the raised seal barriers (pin barrier rings) to ensure proper sealing of pin and socket after mating. See MIL-DTL-26482, connector intermateability control dimensions (series 1 and series 2) for reduced diameter "XX" for contact size 20 only.

REQUIREMENTS:

Dimensions and configurations: See figure 1 and table I.

Connector mating: This connector mates with MS3475 and MS3476.

For insert arrangement: See MIL-STD-1669.

Intermateability dimensions are in accordance with MIL-DTL-26482.

Material:

Shell types A and B, 300 series stainless steel in accordance with ASTM A582/A582M and ASTM A276. Shell type C, cold rolled steel in accordance with ASTM A108.

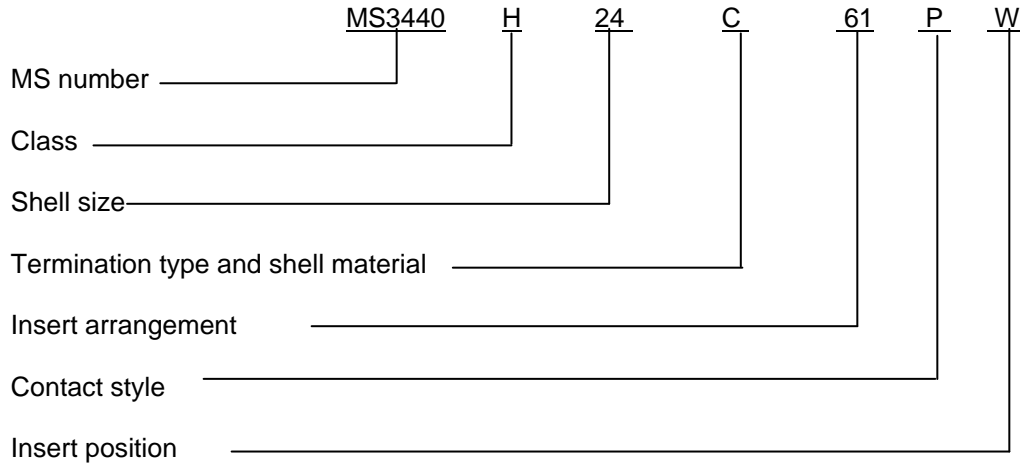
Finish:

Shell types A and B, passivated in accordance with ASTM A967.

Shell type C, .0001 inch (2.54 μm) tin minimum in accordance with ASTM B545 or ASTM B339 over nickel in accordance with SAE-AMS-QQ-N-290. The use of pure tin, as an underplate or final finish, is prohibited both internally and externally. Tin content of connectors, their components and solder shall not exceed 97 percent, by mass. Tin shall be alloyed with a minimum of 3 percent lead, by mass.

MS3440D

Part or Identifying Number (PIN) example:



Changes from previous issue. The margins of this specification are marked with vertical lines to indicate where changes from the previous issue were made. This was done as a convenience only and the Government assumes no liability whatsoever for any inaccuracies in these notations. Bidders and contractors are cautioned to evaluate the requirements of this document based on the entire content irrespective of the marginal notations and relationship to the last previous issue.

Referenced documents. In addition to MIL-DTL-26482, this document references the following:

MS3475
 MS3476
 MIL-STD-1669
 ASME Y14.5
 ASTM A108
 ASTM A276
 ASTM A582/A582M
 ASTM A976
 ASTM B339
 ASTM B545
 SAE-AMS-QQ-N-290

MS3440D

CONCLUDING MATERIAL

Custodians:

Army – CR
Navy – AS
Air Force – 85
DLA – CC

Preparing activity:

DLA – CC

(Project 5935-2011-003)

Review activities:

Army – AV
Navy – EC, SH
Air Force – 99

NOTE: The activities listed above were interested in this document as of the date of this document. Since organizations and responsibilities can change, you should verify the currency of the information above using the ASSIST Online database at <https://assist.daps.dla.mil>.