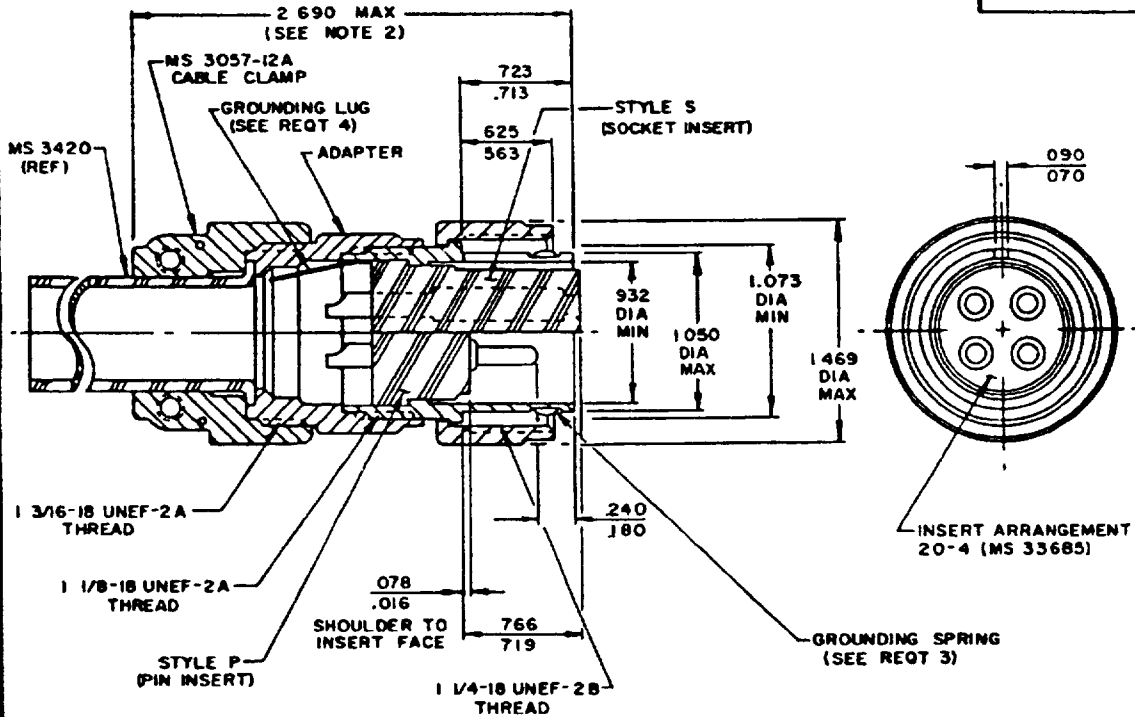


FED SUP CLASS  
5935



REVIEW ACTIVITIES  
NAVY - EC

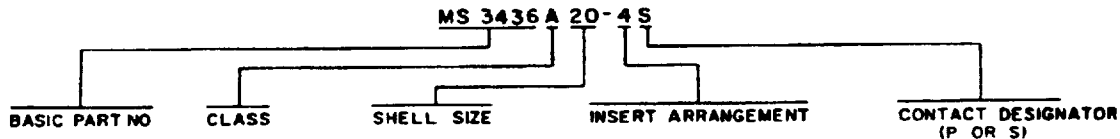
**NOTES**

- 1 DIMENSIONS IN INCHES DIMENSIONING AND TOLERANCING IN ACCORDANCE WITH ANSI Y14 5-1973.
- 2 DIMENSIONS BASED ON FULLY TIGHTENED ACCESSORIES

**REQUIREMENTS**

- 1 MATERIAL  
GROUNDING SPRINGS - BERYLLIUM COPPER
- 2 FINISH  
SHELL AND ACCESSORIES - OLIVE DRAB CHROMATE COATING OVER CADMIUM PLATE.
- 3 THERE SHALL BE A MINIMUM OF 8 GROUNDING SPRINGS PER INCH
- 4 THE GROUNDING LUG SHALL BE INSTALLED ADJACENT TO PIN 'D'
- 5 CONNECTOR SHALL MEET REQUIREMENTS OF MIL-C-5015 EXCEPT WHERE MODIFIED FOR SPECIAL GROUNDING FUNCTIONS
- 6 CABLE CLAMP SHALL CONFORM TO MS3057-12A.

EXAMPLE OF PART NUMBER MS3436A20-4S



FOR DESIGN FEATURE PURPOSES THIS STANDARD TAKES PRECEDENCE OVER PROCUREMENT DOCUMENTS REFERENCED HEREIN  
REFERENCED DOCUMENTS SHALL BE OF THE ISSUE IN EFFECT ON DATE OF INVITATIONS FOR BID

A ENTIRE STANDARD REVISED AND REDRAWN

|   |   |                   |
|---|---|-------------------|
| P.A. NAVY - AS<br>Other Code            | TITLE   | MILITARY STANDARD |
|   | CONNECTOR, PLUG, ELECTRIC,<br>SOLDER CONTACT, UTILITY | MS3436(NAVY)      |
| PROCUREMENT SPECIFICATION<br>MIL-C-5015 | SUPERSEDES  | SHEET 1 OF 1      |

APPROVED 2 OCT 73 REVISED A 7 Oct 1974

This military standard is approved by the Department of the Navy and shall be used by all activities. All other military activities are required to comply with a standard where applicable.