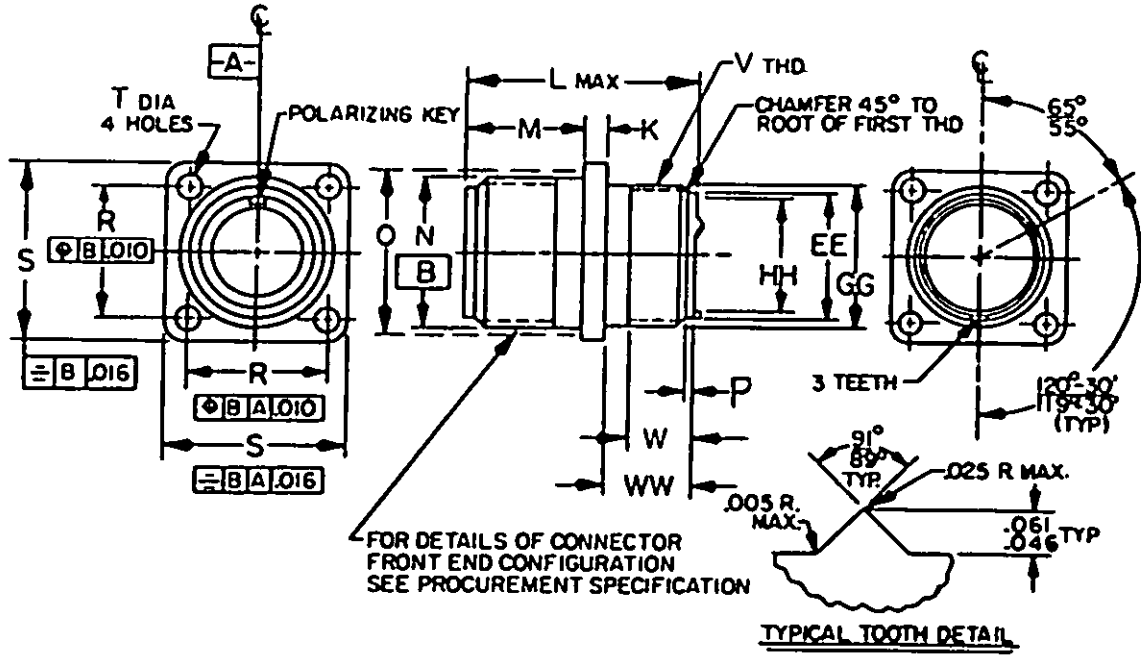


User activities:

Review activities:



**CLASSES D, L, U, W ENVIRONMENT RESISTANT
INTERFACE ONLY - WITH ACCESSORY THREADS**

Classes K and Y cancelled after 18 Feb 72.
Classes L, U, and W inactive for design after 23 Mar 76

NOTES:

1. Dimensions are in inches.
2. Unless otherwise specified, tolerance is $\pm .016$.
3. Dimensions and tolerancing in accordance with ANSI Y14.5-1973.
4. MIL-C-5015 crimp contact, front and rear release connectors and solder contact connectors are interchangeable.
5. Unless otherwise shown, corresponding features of pin and socket contact connectors are identical.
- ① 6. For insert arrangements see MIL-STD-1651.
7. For design feature purposes, this standard takes precedence over procurement documents referenced herein.
8. Referenced documents shall be of the issue in effect on date of invitations for bid.

① DENOTES CHANGES

This military standard is approved for use by Naval Air Systems Command, NAVY AS, Department of the Navy, and is available for use by all Departments and Agencies of the Department of Defense.

APPROVED 18 Oct 71 REVISED ① 18 Feb 72 ② 31 Oct 72 ③ 17 DEC 75 ④ 23 MAR 76

P.A Navy - AS Other Cost	International Interface	TITLE CONNECTORS, RECEPTACLE, ELECTRIC, WALL MOUNTING, FRONT RELEASE, CRIMP CONTACT, AN TYPE-WITH ACCESSORY THREADS	MILITARY STANDARD
Procurement Specification MIL-C-5015	SUPERSEDES:		MS3412(NAVY)
			PAGE 1 OF 3

FED. SUP CLASS
5935

(D)

SIZE	K ±.015	L MAX		M +.031 -.000	N +.000 -.062	O (REF) MTG. HOLE	R T.P. CL-CL	S ±.031	T +.010 -.005
		SIZE 16 & 12 CONT'S	SIZE 8, 4 & 0 CONT'S						
8S	.083	1.662		.562	.532	.562	.594	.875	.120
10S					.656	.688	.719	1.000	
10SL	-				.656	.688	.719	1.000	
12S				.562	.782	.812	.812	1.094	
12				.750	.782	.812	.812	1.094	
14S				.562	.906	.938	.906	1.188	
14				.750	.906	.938	.906	1.188	
16S				.562	1.032	1.062	.969	1.281	
16	.083		1.937	.750	1.032	1.062	.969	1.281	
18	.125				1.156	1.188	1.062	1.375	
20					1.282	1.312	1.156	1.500	
22				.750	1.406	1.438	1.250	1.625	.120
24				.812	1.532	1.562	1.375	1.750	.147
28				.812	1.782	1.812	1.562	2.000	.147
32				.875	2.032	2.062	1.750	2.250	.173
36					2.282	2.312	1.938	2.500	
40					2.532	2.562	2.188	2.750	
44					2.782	2.812	2.375	3.000	
48	.125	1.662	1.937	.875	3.032	3.062	2.625	3.250	.173

User activities:

Review activities:

This military standard is approved for use by Naval Air Systems Command, NAVY AS, Department of the Navy, and is available for use by all Departments and Agencies of the Department of Defense.

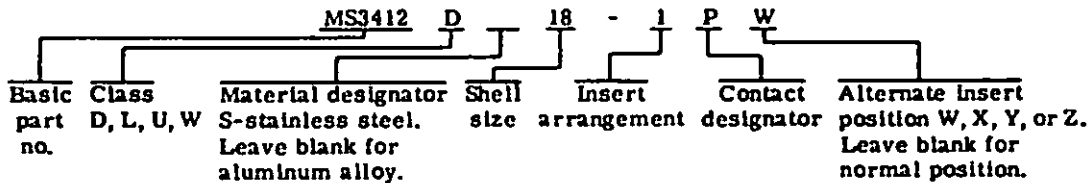
APPROVED 18 Oct 71 REVISED (C) For change see page 1 (D) FOR CHANGES SEE PAGES 1 & 2

P.A Navy - AS	International Interest	TITLE CONNECTORS, RECEPTACLE, ELECTRIC, WALL MOUNTING, FRONT RELEASE, CRIMP CONTACT, AN TYPE-WITH ACCESSORY THREADS	MILITARY STANDARD
Other Cust:			MS3412(NAVY)
Requirement Specification MIL-C-5015		SUPERSEDES:	PAGE 2 OF 3

FED. SUP CLASS
5935

SIZE	V THREAD CLASS 2A	EE	GG MAX	HH ±.005	P ±.005	W MIN	WW MIN
8S	.500-20 UNEF	.426 .419	.499	.368	.065	.290	.310
10S	.625-24	.562 .555	.625	.502			
10SL	.625-24	.562 .555	.625	.502			
12S	.750-20	.679 .672	.750	.618			
12	.750-20	.679 .672	.750	.618			
14S	.875-20	.804 .797	.875	.743			
14	.875-20	.804 .797	.875	.743			
16S	1.000-20	.929 .922	1.000	.868			
16	1.000-20	.929 .922	1.000	.868			
18	1.062-18	.984 .977	1.062	.924			
20	1.188-18	1.109 1.102	1.187	1.049			
22	1.312-18	1.234 1.227	1.312	1.174			
24	1.438-18 UNEF	1.359 1.352	1.437	1.299	.065	.290	.310
28	1.750-18 UNS	1.613 1.603	1.750	1.520	.095	.467	.487
32	2.000-18 UNS	1.863 1.853	2.000	1.770			
36	2.250-18 UN	2.113 2.103	2.250	1.985			
40	2.500-18 UN	2.363 2.353	2.500	2.200			
44	2.750-18 UN	2.613 2.603	2.750	2.455			
48	3.000-18 UN	2.858 2.848	3.000	2.705	.095	.467	.487

Example of part no: MS3412D 18-1P W



User activities: Review activities: This military standard is approved for use by Naval Air Systems Command, NAVY AS, Department of the Navy, and is available for use by all Departments and Agencies of the Department of Defense.

APPROVED 18 Oct 71 REVISED © For change see page 1 (D) FOR CHANGES SEE PAGES 1B 2

P.A Navy - AS Other Cust	International Interest	TITLE CONNECTORS, RECEPTACLE, ELECTRIC, WALL MOUNTING, FRONT RELEASE, CRIMP CONTACT, AN TYPE-WITH ACCESSORY THREADS	MILITARY STANDARD MS3412(NAVY)
Performance Specification MIL-C-5015	SUPERSEDES		PAGE 3 OF 3