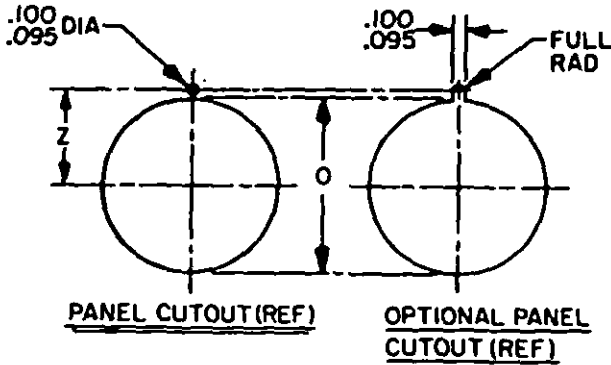
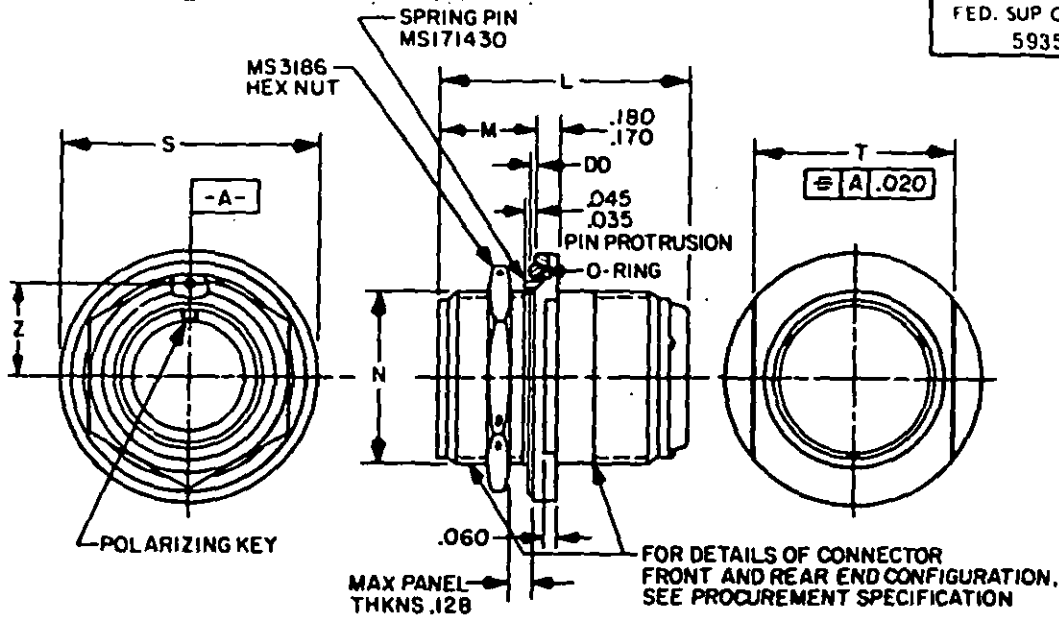


User activities:

Review activities:

This military standard is approved for use by Naval Air Systems Command, NAVY AS, Department of the Navy, and is available for use by all Departments and Agencies of the Department of Defense.



CLASSES D, L, U & W ENVIRONMENT RESISTANT

Classes R and S cancelled after 18 Oct 71.

Classes K and Y cancelled after 5 Apr 72.

Classes L, U, and W inactive for design after 23 Mar 76.

NOTES:

1. Dimensions are in inches.
2. Unless otherwise specified, tolerance is $\pm .016$.
3. Dimensions and tolerancing in accordance with ANSI Y14.5-1973.
4. MIL-C-5015 front and rear release crimp contact, and solder contact connectors are interchangeable.
5. Unless otherwise shown, corresponding features of pin and socket contact connectors are identical.
6. For insert arrangements see MIL-STD-1651.
7. For design feature purposes, this standard takes precedence over procurement documents referenced herein.
8. Referenced documents shall be of the issue in effect on date of invitations for bid.

Ⓒ DENOTES CHANGES

P.A Navy - AS Other Cust	International Interest	TITLE CONNECTORS, RECEPTACLE, ELECTRIC, JAM NUT MOUNTING, FRONT RELEASE, CRIMP CONTACT, AN TYPE	MILITARY STANDARD MS3404(NAVY)
Procurement Specification MIL-C-5015	SUPERSEDES:		PAGE 1 OF 3

APPROVED 7 Nov 69 REVISED Ⓔ 13 Aug 73 Ⓕ 17 DEC 75 Ⓖ 23 MAR 76

User activities:

Review activities:

This military standard is approved for use by Naval Air Systems Command, NAVY AS, Department of the Navy, and is available for use by all Departments and Agencies of the Department of Defense.

SIZE	L. MAX.		M	N	O	S	T	Z	DD 0.008 0 RING PROJECT.	ARP 568 NO. 1/ 0 RING	MS3186 DASHI NO. (REF)
	SIZE 16 & 12 CONT. S	SIZE 8, 4 & 10 CONT. S									
RS	2.031		.720	.500	.505	1.072	.865	.326		-020	-25, -26, -27
10S	2.031		.720	.625	.630	1.193	.990	.385		-021	-31, -32, -33
10SI.	2.031		.720	.625	.630	1.193	.990	.385		-021	-31, -32, -33
12S	2.031		.720	.750	.755	1.317	1.050	.448		-023	-37, -38, -39
12	2.125		.966	.750	.755	1.317	1.050	.448		-023	-37, -38, -39
14S	2.031		.720	.875	.880	1.443	1.175	.510	.020	-026	-40, -41, -42
14	2.125		.966	.875	.880	1.443	1.175	.510		-026	-40, -41, -42
16S	2.031		.720	1.000	1.005	1.567	1.300	.573		-028	-43, -44, -45
16				1.000	1.005	1.567	1.300	.573		-028	-43, -44, -45
18				1.125	1.130	1.693	1.425	.635		-029	-46, -47, -48
20				1.250	1.255	1.817	1.550	.698		-030	-49, -50, -51
22				1.375	1.380	1.943	1.550	.760		-131	-52, -53, -54
24				1.500	1.505	2.067	1.800	.823		-133	-55, -56, -57
28	2.125	2.500	.966	1.750	1.755	2.317	1.925	.948		-137	-61, -62, -63
32				2.000	2.005	2.567	2.175	1.073		-141	-64, -65, -66
36				2.250	2.255	2.817	2.550	1.198	.026	-145	-67, -68, -69
40				2.500	2.505	3.061	2.800	1.323		-149	-70, -71, -72
44				2.750	2.755	3.311	3.050	1.448		-151	-73, -74, -75
48				3.000	3.005	3.561	3.300	1.573		-152	-76, -77, -78

1/ Society of automotive engineers' standard

P.A Navy - AS

Other Cust

International
Interest

TITLE CONNECTORS, RECEPTACLE,
ELECTRIC, JAM NUT MOUNTING, FRONT
RELEASE, CRIMP CONTACT, AN TYPE

MILITARY STANDARD

MS3404(NAVY)

Procurement Specification
MIL-C-5015

SUPERSEDES:

PAGE 2 OF 3

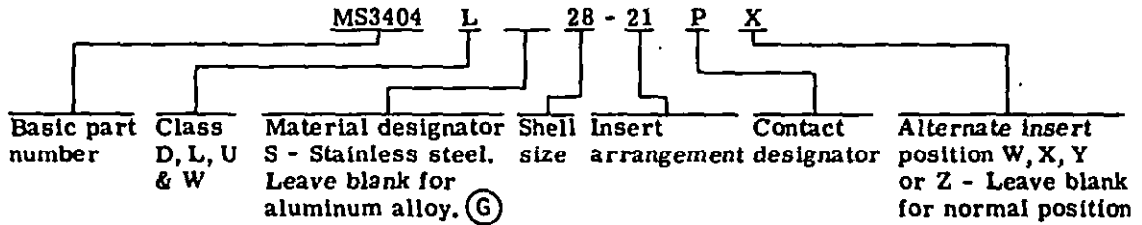
FED. SUP CLASS
5935

User activities:

Review activities:

This military standard is approved for use by Naval Air Systems Command, NAVY AS, Department of the Navy, and is available for use by all Departments and Agencies of the Department of Defense.

EXAMPLE OF PART NO.: MS3404L 28-21PX



APPROVED 7 Nov 69 REVISED (F) FOR change see page 1 (G) FOR CHANGES SEE PAGES 1, 2 AND 3

P.A Navy - AS Other Cust	International Interest	TITLE CONNECTORS, RECEPTACLE, ELECTRIC, JAM NUT MOUNTING, FRONT RELEASE, CRIMP CONTACT, AN TYPE	MILITARY STANDARD MS3404(NAVY)
Procurement Specification MIL-C-5015	SUPERSEDES:		PAGE 3 OF 3

DD FORM 672 (Limited coordinated) PREVIOUS EDITIONS OF THIS FORM ARE OBSOLETE
1 MAY 73