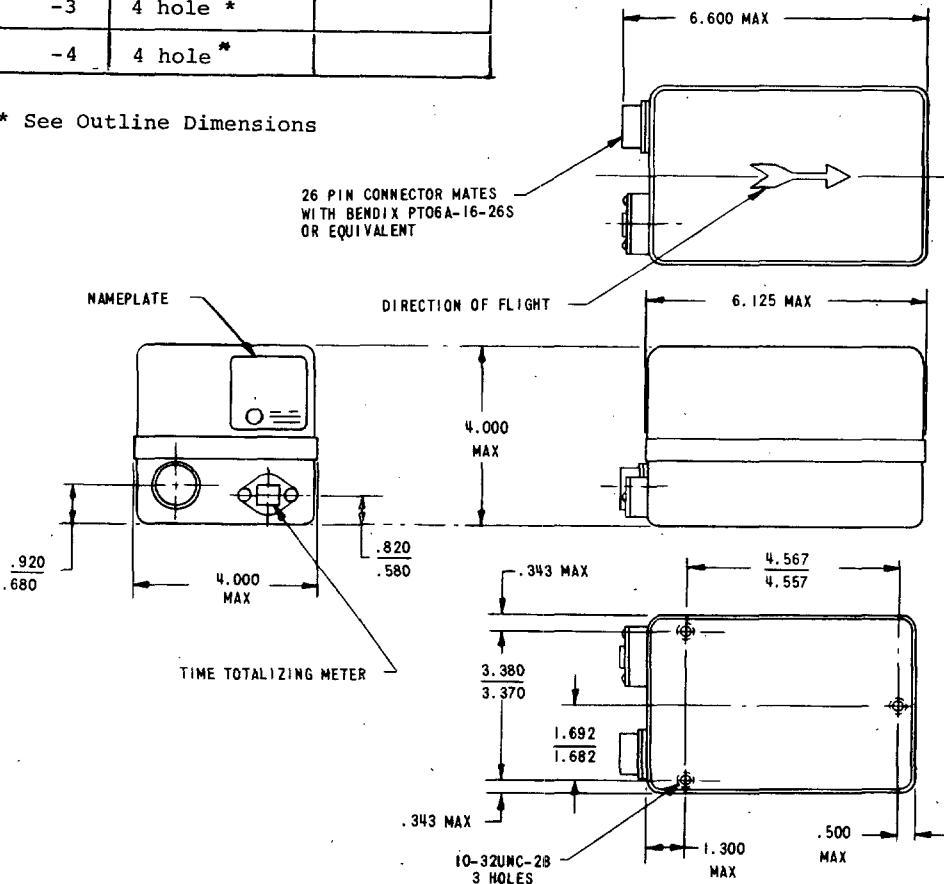


FED. SUP CLASS
6615

MS Part Number	Mounting Requirements	Electrical Functions
3392-1	3 holes*	See Diagram
-2	(2) 4 hole patterns *	
-3	4 hole *	
-4	4 hole *	

(A)

* See Outline Dimensions



OUTLINE DIMENSION
MS PART NO. 3392-1

(A) New Sheets 11 thru 16
Added

This military standard is approved by the Department of Defense and is mandatory on all activities. Selection for all new engineering and design applications and for repetitive use shall be made from this document.

NOTICE—When Government drawings, specifications, or other data are used for any purpose other than in connection with a definitely related Government procurement operation, the United States Government thereby incurs no responsibility, nor any obligation whatsoever; and the fact that the Government may have formulated, furnished, or in any way supplied the said drawings, specifications, or other data is not to be regarded by implication or otherwise as in any manner licensing the holder or any other person or corporation, or conveying any rights or permission to manufacture, use, or sell any patented invention that may in any way be related thereto.

PROJECT NO. 6615-NO19

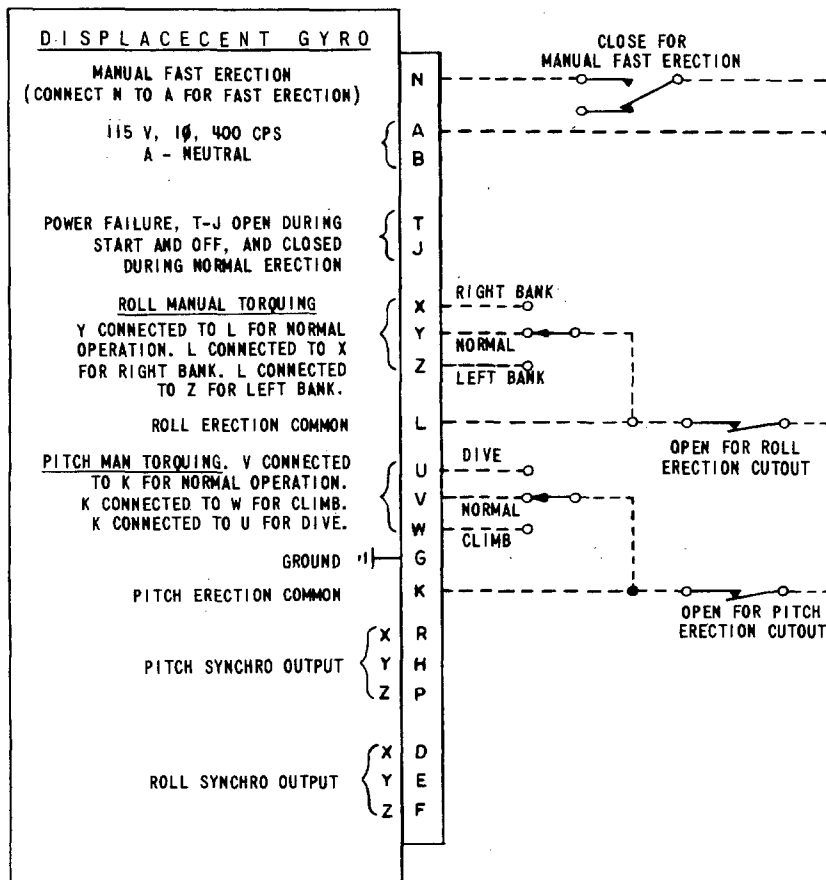
P.A. NAVY NASC	TITLE	MILITARY STANDARD
Other Cust	GYROSCOPE ASSEMBLY, DISPLACEMENT	MS 3392(AS)
Procurement Specification MIL-G-81620(AS)	SUPERSEDES:	SHEET 1 OF 16

DD FORM 1 SEP 57 672 COORDINATED PREVIOUS EDITIONS OF THIS FORM ARE OBSOLETE.
0102 006 8500

APPROVED 15 JANUARY 1969 REVISED (A) 8 Feb 1970

FED. SUP CLASS
6615

J1 (MATES WITH BENDIX
PT06A-16-26S OR EQUIVALENT



ELECTRICAL INTERCONNECTION
MS PART NO. 3392-1

PROJECT NO. 6615-N017

P.A. NAVY NASC Other Cust	TITLE GYROSCOPE ASSEMBLY, DISPLACEMENT	MILITARY STANDARD
		MS 3392(AS)
Procurement Specification MIL-G-81620(AS)	SUPERSEDES:	SHEET 2 OF 16

DD FORM 1 SEP 57 672 COORDINATED PREVIOUS EDITIONS OF THIS FORM ARE OBSOLETE.
0102 006 8500

NOTICE.—When Government drawings, specifications, or other data are used for any purpose other than in connection with a definitely related Government procurement operation, the United States Government thereby incurs no responsibility, nor any obligation whatsoever, and the fact that the Government may have formulated, furnished, or in any way supplied the said drawings, specifications, or other data is not to be regarded by implication or otherwise as in any manner licensing the holder or any other person or corporation, or conveying any rights or permission to manufacture, use, or sell any patented invention that may in any way be related thereto.

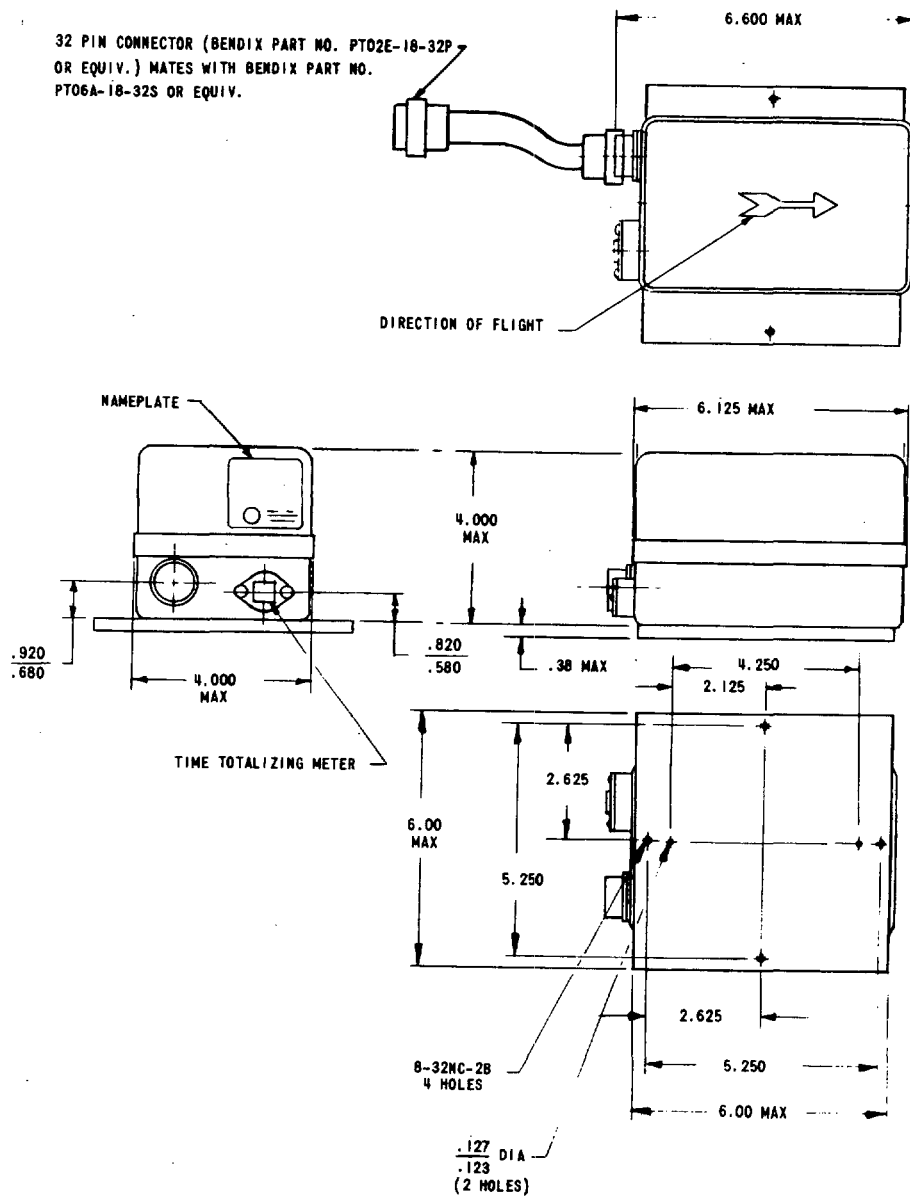
This military standard is approved by the Department of Defense and is mandatory on all activities. Selection for all new engineering and design applications and for repetitive use shall be made from this document.

APPROVED 15 JANUARY 1969 REVISED (A) For changes see Sheets 11 thru 16

FED. SUP CLASS
6615

NOTICE—When Government drawings, specifications, or other data are used for any purpose other than in connection with a definitely related Government procurement operation, the United States Government thereby incurs no responsibility, nor any obligation whatsoever; and the fact that the Government may have formulated, furnished, or in any way supplied the said drawings, specifications, or other data is not to be regarded by implication or otherwise as in any manner licensing the holder or any other person or corporation, or conveying any rights or permission to manufacture, use, or sell any patented invention that may in any way be related thereto.

This military standard is approved by the Department of Defense and is mandatory on all activities. Selection for all new engineering and design applications and for repetitive use shall be made from this document.



OUTLINE DIMENSIONS
MS PART NO. 3392-2

PROJECT NO. 6615-N017

P.A. NAVY NASC Other Cust	TITLE GYROSCOPE ASSEMBLY, DISPLACEMENT	MILITARY STANDARD
		MS 3392(AS)
Procurement Specification MIL-G-81620(AS)	SUPERSEDES:	SHEET 3 OF 16

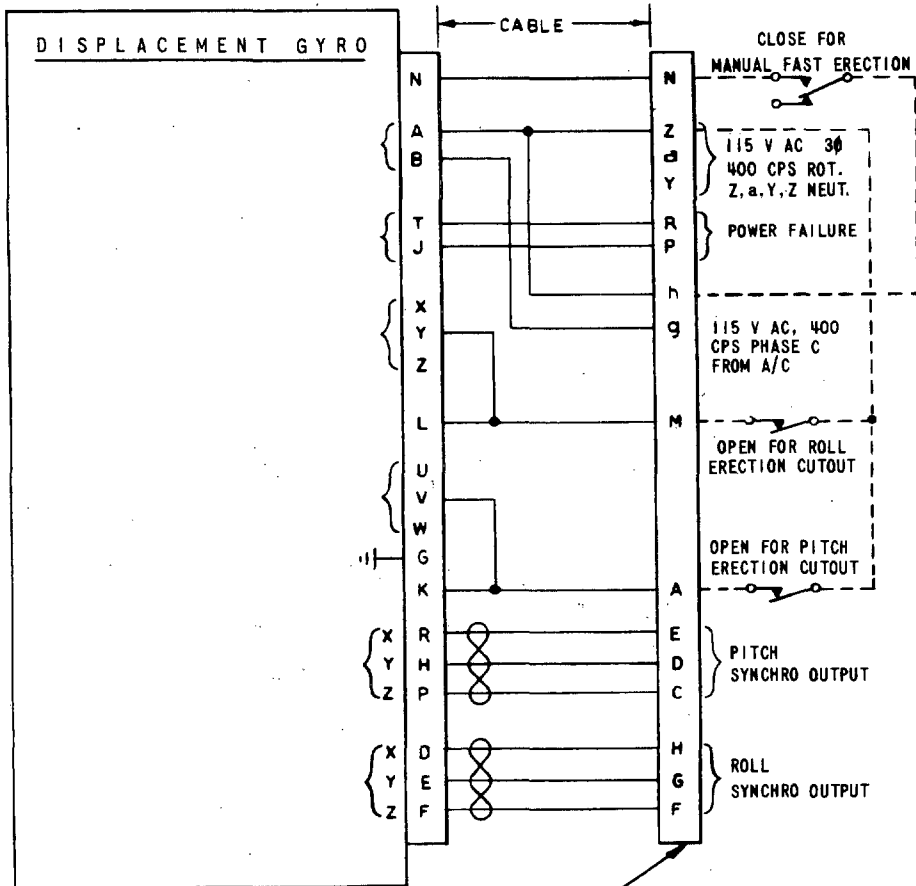
DD FORM 1 SEP 57 672 COORDINATED PREVIOUS EDITIONS OF THIS FORM ARE OBSOLETE.
0102 006 8500

APPROVED 15 JANUARY 1969 REVISED 6 For changes see Sheets 11 thru 16

FED. SUP CLASS
6615

NOTICE.—When Government drawings, specifications, or other data are used for any purpose other than in connection with a definitely related Government procurement operation, the United States Government thereby incurs no responsibility, nor any obligation whatsoever; and the fact that the Government may have formulated, furnished, or in any way supplied the said drawings, specifications, or other data is not to be regarded by implication or otherwise as in any manner licensing the holder or any other person or corporation, or conveying any rights or permission to manufacture, use, or sell any patented invention that may in any way be related thereto.

This military standard is approved by the Department of Defense and is mandatory on all activities. Selection for all new engineering and design applications and for repetitive use shall be made from this document.



J4451 (MATES WITH DISTRIBUTION BOX DESIGNATED J-2607/APQ-72 AND PART NO. 610R018G01)

ELECTRICAL INTERCONNECTION
MS PART NO. 3392-2

PROJECT NO. 6615-N017

APPROVED 15 JANUARY 1960 REVISED 6 For changes see Sheets 11 thru 16

P.A. NAVY NASC Other Cust	TITLE GYROSCOPE ASSEMBLY, DISPLACEMENT	MILITARY STANDARD
		MS3392(AS)
Procurement Specification MIL-G-81620(AS)	SUPERSEDES:	SHEET 4 OF 16

FED. SUP CLASS
6615

The pin letter designations referred to in the following paragraphs are for the MS3392-1 configuration. The following notes list the equivalent pin designations for MS3392-2 connector J4451.

NOTE:

PARAGRAPH	FOR PIN LETTER	SUBSTITUTE PIN LETTER
3.5.1.8.1 - Synchro Designations	D	H
	E	G
	A	Z
	B	9
	R	E
	H	D
	P	C
3.5.1.10 - External Test Points	A-N (Manual Fast Erection)	h-N (Manual Fast Erection)
	K-A (Pitch Erection Cutout)	A-Z Pitch (Erection Cutout)
	L-A (Roll Erection Cutout)	m-Z (Roll Erection Cutout)
4.7.4.1 - Normal Operation	L Connected to A of J1	M connected to Z of J4451
	V connected to K of J1	Not Applicable
	Y connected to L of J1	Not Applicable
4.8.5 - Manual Fast Erection Rate	Paragraph 4.8.5 is not applicable to MS3392-2	
4.8.6 - Erection Cutout	A	Z
	K	A
	L	M
4.8.7 - External Torquing	Paragraph 4.8.7 is not applicable to MS3392-2 Gyroscope.	
4.8.8 - Power Interruption	J	P
	T	R
4.8.9 - Power Failure Warning	J	P
	T	R
	A	Z
4.8.10 - Gyro Motor Failure Monitor	J	P
	T	R
	A	Z
4.8.14.1 - Synchro Output Voltages	H	D
	R	E
	E	G
	D	H

NOTICE.—When Government drawings, specifications, or other data are used for any purpose other than in connection with a definitely related Government procurement operation, the United States Government thereby incurs no responsibility, nor any obligation whatsoever; and the fact that the Government may have formulated, furnished, or in any way supplied the said drawings, specifications, or other data is not to be regarded by implication or otherwise as in any manner licensing the holder or any other person or corporation, or conveying any rights or permission to manufacture, use, or sell any patented invention that may in any way be related thereto.

This standard has been approved by the Department of the Navy and is mandatory for use by that activity. All other military activities are required to employ this standard where suitable.

PROJECT NO. 6615-N017 MS PART NO. 3392-2

P.A. NAVY NASC Other Cust	TITLE	MILITARY STANDARD
	GYROSCOPE ASSEMBLY, DISPLACEMENT	MS 3392(AS)
Procurement Specification MIL-G-81620(AS)	SUPERSEDES:	SHEET 5 OF 16

APPROVED 15 Jan. 1969 REVISED For changes see Sheets 11 thru 16

NOTICE—When Government drawings, specifications, or other data are used for any purpose other than in connection with a definitely related Government procurement operation, the United States Government thereby incurs no responsibility, nor any obligation whatsoever; and the fact that the Government may have formulated, furnished, or in any way supplied the said drawings, specifications, or other data is not to be regarded by implication or otherwise as in any manner licensing the holder or any other person or corporation, or conveying any rights or permission to manufacture, use, or sell any patented invention that may in any way be related thereto.

This military standard is approved by the Department of Defense and is mandatory on all activities. Selection for all new engineering and design applications and for repetitive use shall be made from this document.

		FED. SUP CLASS 6615	
PARAGRAPH	FOR PIN LETTER	SUBSTITUTE PIN LETTER	
4.8.14.2 - Synchro Output Singal Phasing	P	C	
	A	Z	
	D	H	
	E	G	
	R	E	
	H	D	
	B	g	
4.8.15 - Insulation Resistance	Y	Remove	
	L	M	
	Z	Remove	
	X	Remove	
	U	Remove	
	K	A	
	W	Remove	
	V	Remove	
	T	R	
	J	P	
	H	D	
D	H		
A	Z		
4.8.20 - Dielectric Strength	Y	Remove	
	L	M	
	Z	Remove	
	X	Remove	
	U	Remove	
	K	A	
	W	Remove	
	V	Remove	
	T	R	
	J	P	
	H	D	
D	H		
A	Z		

PROJECT NO. 6615-N017		MS PART NO. 3392-2	
P.A. NAVY NASC Other Cust	TITLE GYROSCOPE ASSEMBLY, DISPLACEMENT	MILITARY STANDARD MS 3392(AS)	
Procurement Specification MIL-G-81620(AS)	SUPERSEDES:	SHEET 6 OF 16	

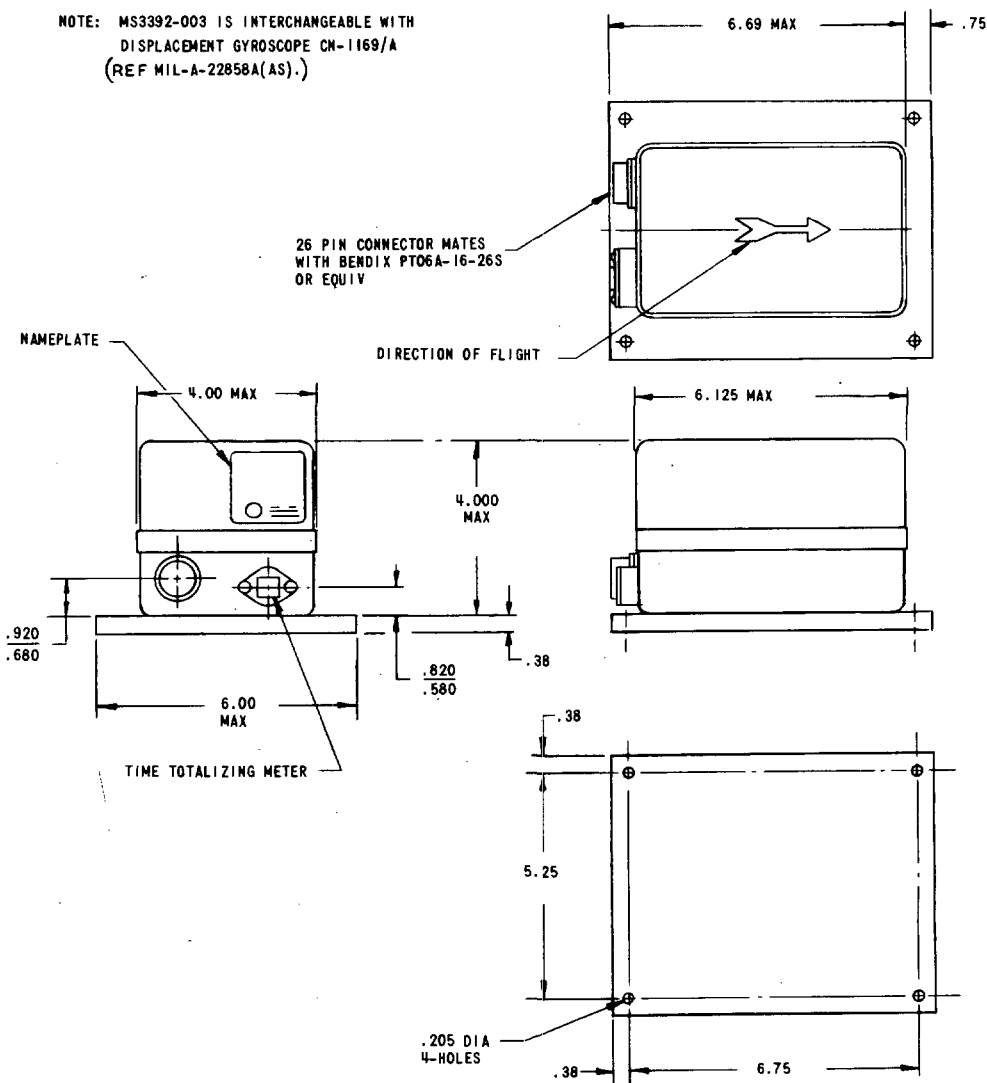
APPROVED 15 Jan. 1969 REVISED ⓐ For changes see Sheets. 11 thru 16

NOTICE.—When Government drawings, specifications, or other data are used for any purpose other than in connection with a definitely related Government procurement operation, the United States Government thereby incurs no responsibility, nor any obligation whatsoever; and the fact that the Government may have formulated, furnished, or in any way supplied the said drawings, specifications, or other data is not to be regarded by implication or otherwise as in any manner licensing the holder or any other person or corporation, or conveying any rights or permission to manufacture, use, or sell any patented invention that may in any way be related thereto.

This military standard is approved by the Department of Defense and is mandatory on all activities. Selection for all new engineering and design applications and for repetitive use shall be made from this document.

FED. SUP CLASS
6615

NOTE: MS3392-003 IS INTERCHANGEABLE WITH
DISPLACEMENT GYROSCOPE CN-1169/A
(REF MIL-A-22858A(AS).)



OUTLINE DIMENSIONS
MS PART NO. 3392-3

PROJECT NO. 6615-N017

P.A. NAVY NASC Other Cust	TITLE GYROSCOPE ASSEMBLY, DISPLACEMENT	MILITARY STANDARD MS 3392(AS)
Procurement Specification MIL-G-81620(AS)	SUPERSEDES:	SHEET 7 OF 16

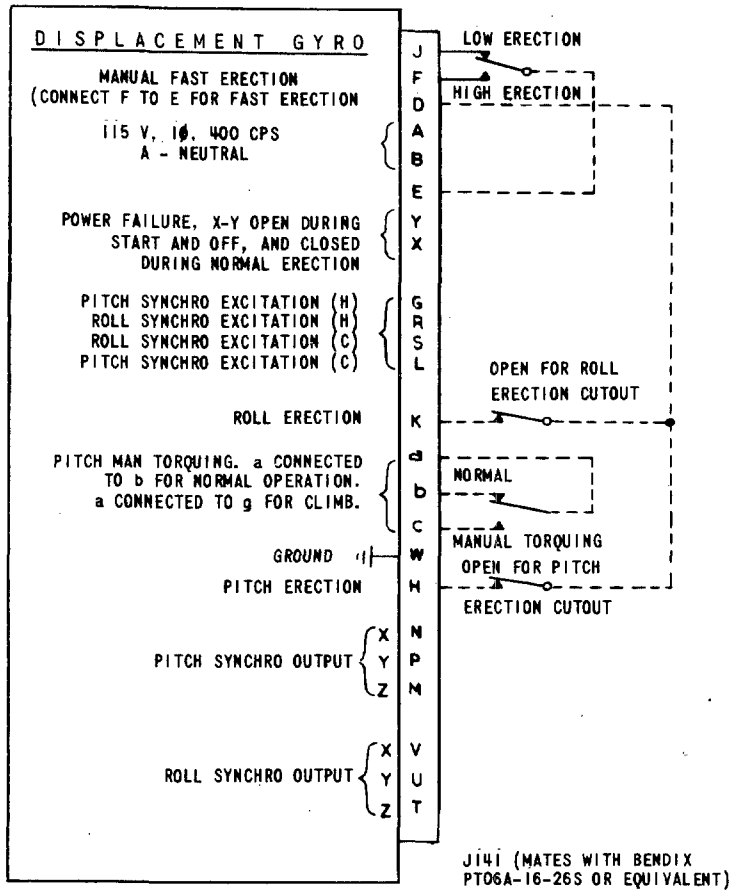
DD FORM 1 SEP 57 672 COORDINATED PREVIOUS EDITIONS OF THIS FORM ARE OBSOLETE.
0102 006 8500

APPROVED 15 JANUARY 1969 REVISED 15 JANUARY 1969 For changes see Sheets 11 thru 16

NOTICE—When Government drawings, specifications, or other data are used for any purpose other than in connection with a definitely related Government procurement operation, the United States Government hereby incurs no responsibility, nor any obligation whatsoever; and the fact that the Government may have formulated, furnished, or in any way supplied the said drawings, specifications, or other data is not to be regarded by implication or otherwise as in any manner licensing the holder or any other person or corporation, or conveying any rights or permission to manufacture, use, or sell any patented invention that may in any way be related thereto.

This military standard is approved by the Department of Defense and is mandatory on all activities. Selection for all new engineering and design applications and for repetitive use shall be made from this document.

FED. SUP CLASS
6615



ELECTRICAL INTERCONNECTION
MS PART NO. 3392-3

PROJECT NO. 6615-N017

P.A. NAVY, NASC Other Cust	TITLE GYROSCOPE ASSEMBLY, DISPLACEMENT	MILITARY STANDARD MS 3392(AS)
Procurement Specification MI1-G-81620(AS)	SUPERSEDES:	SHEET 8 OF 16

DD FORM 1 SEP 57 **672** COORDINATED PREVIOUS EDITIONS OF THIS FORM ARE OBSOLETE.
0102 006 8500

APPROVED 5 JANUARY 1969 REVISED (A) For changes see Sheets 11 thru 16

FED. SUP CLASS
6615

The pin letter designations referred to in the following paragraphs are for the MS3392-1 configuration. The following notes list the equivalent pin designations for MS3392-3 connector J-141.

NOTES:

PARAGRAPH	FOR PIN LETTER	SUBSTITUTE PIN LETTER
3.5.1.8.1 - Synchro Designations	D	V
	E	U
	F	T
	R	N
	H	P
	P	M
3.5.1.10 - External Test Points	A-N (Manual Fast Erection)	E-F (Manual Fast Erection)
	K-A (Pitch Erection Cutout)	H-D (Pitch Erection Cutout)
	L-A (Roll Erection Cutout)	K-D (Roll Erection Cutout)
		E-J (Low Erection)
4.7.4.1 - Normal Operation	L connected to A of J1	K connected to D
	K connected to A of J1	H connected to D
	V connected to K of J1	b connected to a
	Y connected to L of J1	E connected to J
4.8.5 - Manual Fast Erection Rate	N	F
	A	E
4.8.6 - Erection Cutout	A	D
	K	H
	L	K
4.8.7 - External Torquing Roll torquing and dive are not applicable to MS3392-3 Gyro-scope.	K	a
	W	C
	V	b
4.8.8 - Power Interruption	J	X
	T	Y
4.8.9 - Power Failure Warning	J	X
	T	Y
4.8.10 - Gyro Motor Failure Monitor	J	X
	T	Y
4.8.14.1 - Synchro Output Voltages	H	P
	R	N
	E	U
	D	V
4.8.14.2 - Synchro Output Signal Phasing	F	T
	P	m
	D	V
	E	U
	R	N
	H	P

NOTICE.—When Government drawings, specifications, or other data are used for any purpose other than in connection with a definitely related Government procurement operation, the United States Government thereby incurs no responsibility, nor any obligation whatsoever; and the fact that the Government may have formulated, furnished, or in any way supplied the said drawings, specifications, or other data is not to be regarded by implication or otherwise as in any manner, licensing the holder or any other person or corporation, or conveying any rights or permission to manufacture, use, or sell any patented invention that may in any way be related thereto.

This military standard is approved by the Department of Defense and is mandatory on all activities. Selection for all new engineering and design applications and for repetitive use shall be made from this document.

PROJECT NO. 6615-N017

MS PART NO. 3392-3

P.A. NAVY NASC Other Cust	TITLE	MILITARY STANDARD
	GYROSCOPE ASSEMBLY, DISPLACEMENT	MS 3392 (AS)
Procurement Specification MIL-G-81620(AS)	SUPERSEDES:	SHEET 9 OF 16

APPROVED 15 JANUARY 1969 REVISED For changes see Sheets 11 thru 16

FED. SUP CLASS
6615

NOTICE.—When Government drawings, specifications, or other data are used for any purpose other than in connection with a definitely related Government procurement operation, the United States Government thereby incurs no responsibility, nor any obligation whatsoever; and the fact that the Government may have formulated, furnished, or in any way supplied the said drawings, specifications, or other data is not to be regarded by implication or otherwise as in any manner licensing the holder or any other person or corporation, or conveying any rights or permission to manufacture, use, or sell any patented invention that may in any way be related thereto.

This military standard is approved by the Department of Defense and is mandatory on all activities. Selection for all new engineering and design applications and for repetitive use shall be made from this document.

PARAGRAPH	FOR PIN LETTER	SUBSTITUTE PIN LETTER
4.8.15 - Insulation Resistance	Y	K
	L	H
	Z Electrolytic	b Electro-
	U Switches	lytic
	K	a Switches
	W	F
	V	Y
	T	X
	J	P
	H	V
	D	A
4.8.20 - Dielectric Strength	Y	K
	L	H
	Z Electrolytic	b Electro-
	X Switches	lytic
	U	a Switches
	K	F
	W	Y
	V	X
	T	P
	J	V
	H	A

APPROVED 15 JANUARY 1969 REVISED 6 For changes see Sheets 11 thru 16

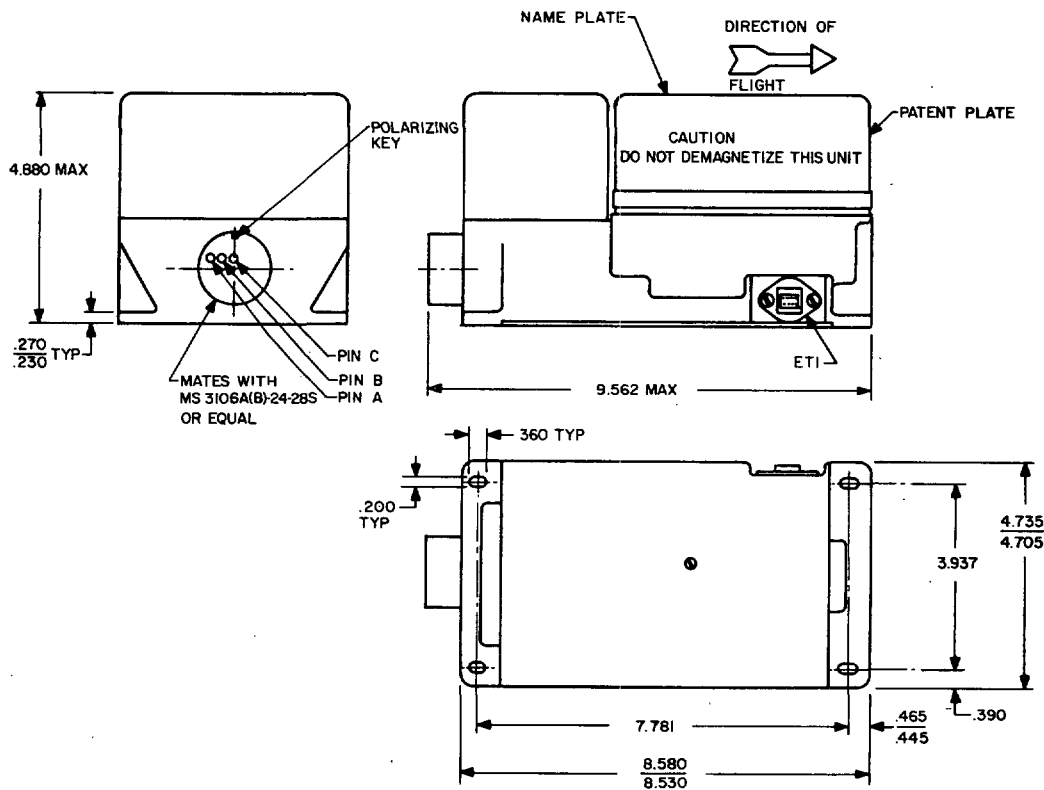
PROJECT NO. 6615-N017

MS PART NO. 3392-3

P.A. NAVY NASC Other Cust	TITLE GYROSCOPE ASSEMBLY, DISPLACEMENT	MILITARY STANDARD
		MS 3392 (AS)
Procurement Specification MIL-G-81620(AS)	SUPERSEDES:	SHEET 10 OF 16

FED. SUP CLASS
6615

NOTICE—When Government drawings, specifications, or other data are used for any purpose other than in connection with a definitely related Government procurement operation, the United States Government thereby incurs no responsibility, nor any obligation whatsoever; and the fact that the Government may have formulated, furnished, or in any way supplied the said drawings, specifications, or other data is not to be regarded by implication or otherwise as in any manner licensing the holder or any other person or corporation, or conveying any rights or permission to manufacture, use, or sell any patented invention that may in any way be related thereto.



OUTLINE DIMENSIONS
MS PART NO. 3392-4

PROJECT NO. 6615-M019

P.A. NAVY NASC Other Cust	TITLE GYROSCOPE ASSEMBLY, DISPLACEMENT	MILITARY STANDARD
		MS 3392(AS)
Procurement Specification MIL-G-81620(AS)	SUPERSEDES:	SHEET 11 OF 16

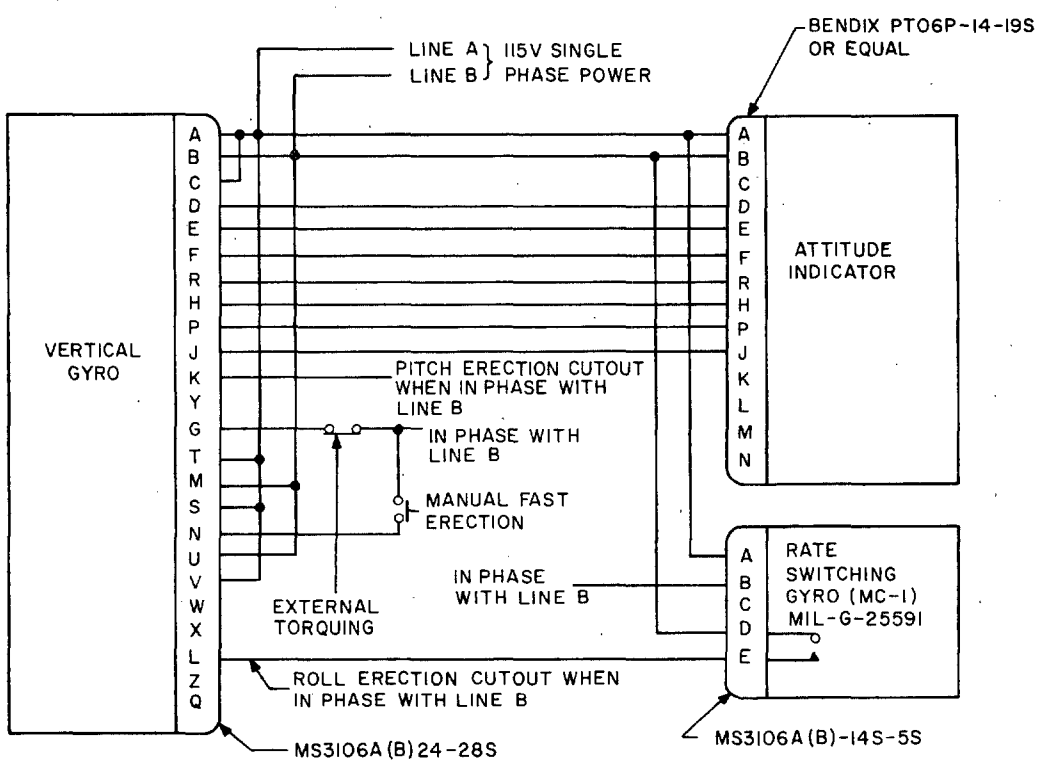
APPROVED
REVISED

This standard has been approved by the Department of the Navy and is mandatory for use by that activity. All other military activities are required to employ this standard where suitable.

NOTICE.—When Government drawings, specifications, or other data are used for any purpose other than in connection with a definitely related Government procurement operation, the United States Government thereby incurs no responsibility, nor any obligation whatsoever, and the fact that the Government may have formulated, furnished, or in any way supplied the said drawings, specifications, or other data is not to be regarded by implication or otherwise as in any manner licensing the holder or any other person or corporation, or conveying any rights or permission to manufacture, use, or sell any patented invention that may in any way be related thereto.

This standard has been approved by the Department of the Navy and is mandatory for use by that activity. All other military activities are required to employ this standard where suitable.

FED. SUP CLASS
6615



ELECTRICAL INTERCONNECTION (SINGLE PHASE)
MS PART NO. 3392-4

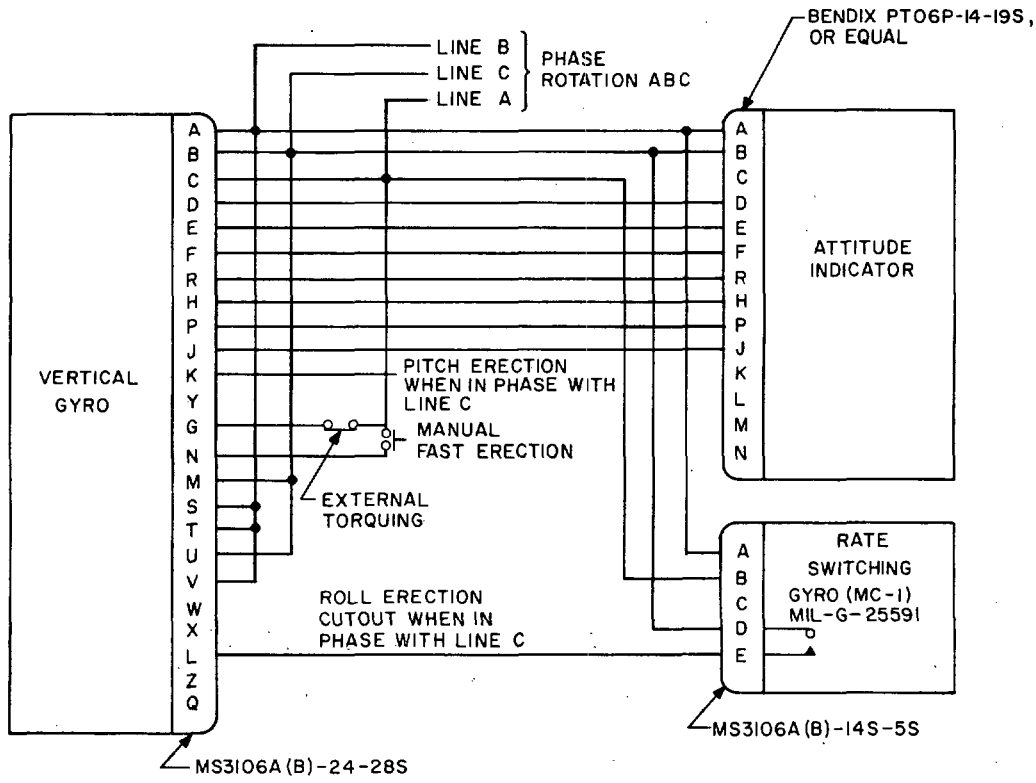
PROJECT NO. 6615-N019

P.A. NAVY NASC Other Cust	TITLE GYROSCOPE ASSEMBLY, DISPLACEMENT	MILITARY STANDARD
		MS 3392(AS)
Procurement Specification MIL-G-81620(AS)	SUPERSEDES:	SHEET 12 OF 16

APPROVED
REVISED

FED. SUP CLASS
6615

NOTICE—When Government drawings, specifications, or other data are used for any purpose other than in connection with a definitely related Government procurement operation, the United States Government hereby incurs no responsibility, nor any obligation whatsoever; and the fact that the Government may have formulated, furnished, or in any way supplied the said drawings, specifications, or other data is not to be regarded by implication or otherwise as in any manner licensing the holder or any other person or corporation, or conveying any rights or permission to manufacture, use, or sell any patented invention that may in any way be related thereto.



This standard has been approved by the Department of the Navy and is mandatory for use by that activity. All other military activities are required to employ this standard where suitable.

ELECTRICAL INTERCONNECTION (THREE PHASE)
MS PART NO. 3392-4

PROJECT NO 6615-N019

P.A. NAVY NASC Other Cust	TITLE GYROSCOPE ASSEMBLY, DISPLACEMENT	MILITARY STANDARD
		MS 3392(AS)
Procurement Specification MIL-G-81620(AS)	SUPERSEDES:	SHEET 13 OF 16

REVISED
APPROVED

FED. SUP CLASS
6615

TABLE I

Pin	Function
A B C	Power ground) 115V, 400 cps) See Note 1
D (X) E (Y) F (Z)	Roll transmitter synchro stator
R (X) H (Y) P (Z)	Pitch transmitter synchro stator
G J T K L	External torquing Power warning flag Power excitation for alarm flag Pitch erection cutout Roll erection cutout
M (H) S (C)	Roll synchro excitation
U (H) V (C)	Pitch synchro excitation
N	Manual fast erection
X, Q, Y, Z, W	Spares

Note 1. The input power to the gyro may be 115V 400 cps single phase per Sheet 13, or 115V 400 cps, three phase delta phase rotation on pins A, B and C per Sheet 12 Pin A shall be power ground. Phase rotation shall be Pin C to A to B.

MS PART NO. 3392-4

PROJECT NO. 6615-N019

P.A. NAVY NASC Other Cust	TITLE GYROSCOPE ASSEMBLY, DISPLACEMENT	MILITARY STANDARD MS 3392(AS)
Procurement Specification MIL-G-81620(AS)	SUPERSEDES:	SHEET 14 OF 16

DD FORM 1 SEP 57 672 COORDINATED PREVIOUS EDITIONS OF THIS FORM ARE OBSOLETE.
0102 006 8500

NOTICE.—When Government drawings, specifications, or other data are used for any purpose other than in connection with a definitely related Government procurement operation, the United States Government thereby incurs no responsibility, nor any obligation whatsoever; and the fact that the Government may have formulated, furnished, or in any way supplied the said drawings, specifications, or other data is not to be regarded by implication or otherwise as in any manner licensing the holder or any other person or corporation, or conveying any rights or permission to manufacture, use, or sell any patented invention that may in any way be related thereto.

This military standard is approved by the Department of Defense and is mandatory on all activities. Selection for all new engineering and design applications and for repetitive use shall be made from this document.

APPROVED
REVISED

FED. SUP CLASS

6615

The pin letter designations referred to in the following paragraphs are for the MS3392-1 configuration. The following notes list the equivalent pin designations. The pin connections and power inputs for MS3392-4 shall be as described below and in Table I and Sheet 12 and 13.

NOTES

Paragraph	For Pin Letter	Substitute Pin Letter
3.5.1.8.1 <u>Synchro Designations</u>		
Roll Synchro	D E F A B	D E F S M
Pitch Synchro	R H P A B	R H P V U
3.5.1.10 External Test Points	A-N (Manual Fast Erection) K-A (Pitch Erection Cutout) L-A (Roll Erection Cutout)	N-C (Manual Fast Erection) K-B (Pitch Erection Cutout) L-B (Roll Erection Cutout)
External Torquing	--	G-C (External Torquing)
4.8.5 Manual Fast Erection Rate	A	C
4.8.6 Erection Cutout	A Disconnected K L	-- B Connected to K for Pitch Erection Cutout B Connected to L for Roll Erection Cutout
4.8.7 External Torquing Dive and Right Bank Torquing are not applicable for MS3392-4 Gyroscope See Table I	K W V Z L Y	K B -- B L --

MS PART NO. 3392-4

PROJECT NO. 6615-N019

P.A. NAVY NASC Other Cust.	TITLE GYROSCOPE ASSEMBLY, DISPLACEMENT	MILITARY STANDARD MS 3392(AS)
Procurement Specification MIL-G-81620(AS)	SUPERSEDES:	SHEET 15 OF 16

This military standard is approved by the Department of Defense and is mandatory on all activities. Selection for all new engineering and design applications and for repetitive use shall be made from this document.

NOTICE.—When Government drawings, specifications, or other data are used for any purpose other than in connection with a definitely related Government procurement operation, the United States Government thereby incurs no responsibility, nor any obligation whatsoever; and the fact that the Government may have formulated, furnished, or in any way supplied the said drawings, specifications, or other data is not to be regarded by implication or otherwise as in any manner licensing the holder or any other person or corporation, or conveying any rights or permission to manufacture, use, or sell any patented invention that may in any way be related thereto.

DD FORM 1 SEP 57 672 COORDINATED PREVIOUS EDITIONS OF THIS FORM ARE OBSOLETE.

0102 006 8500

APPROVED REVISED

NOTICE—When Government drawings, specifications, or other data are used for any purpose other than in connection with a definitely related Government procurement operation, the United States Government thereby incurs no responsibility, nor any obligation whatsoever; and the fact that the Government may have formulated, furnished, or in any way supplied the said drawings, specifications, or other data is not to be regarded by implication or otherwise as in any manner licensing the holder or any other person or corporation, or conveying any rights or permission to manufacture, use, or sell any patented invention that may in any way be related thereto.

This military standard is approved by the Department of Defense and is mandatory on all activities. Selection for all new engineering and design applications and for repetitive use shall be made from this document.

FED. SUP CLASS
6615

Paragraph	For Pin Letter	Substitute Pin Letter
4.8.9 Power Failure Warning	A	A, B and C
4.8.10 Gyro Motor Failure Monitor 4.8.10 not applicable for MS3392-4		
4.8.14.2 Synchro Output Signal Phasing	A B B	S and V M (shall be less than 115V) W (shall be less than 115V)
4.8.15 Insulation Resistance	A D H J -- T --	A D H J Add M T Add W
4.8.20 Dielectric Strength	A D H J -- T --	A D H J Add M T Add W

MS PART NO. 3392-4

PROJECT NO. 6615-N019

APPROVED
REVISED

P.A. NAVY NASC Other Cust	TITLE GYROSCOPE ASSEMBLY, DISPLACEMENT	MILITARY STANDARD
		MS 3392(AS)
Procurement Specification MIL-G-81620(AS)	SUPERSEDES:	SHEET 16 OF 16