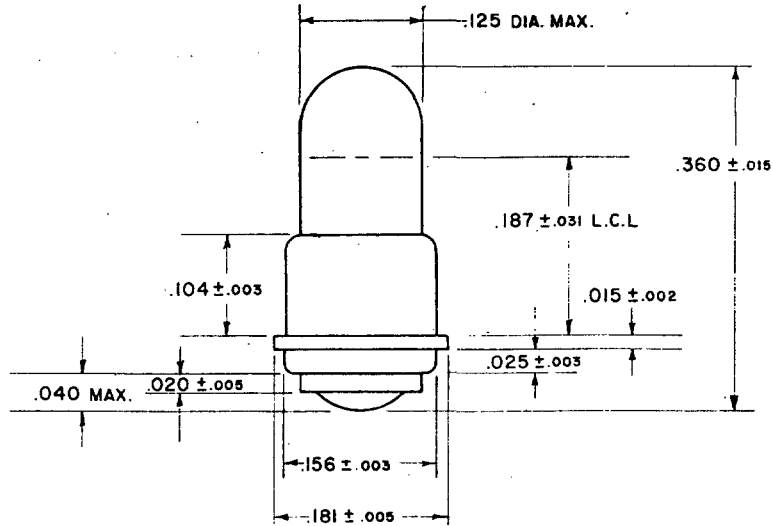


FED. SUP CLASS
6240



PART NUMBER	TRADE NUMBER	FINISH	RATED VOLTAGE	RATED CURRENT ±10%	SCP ±25%	MINIMUM LIFE HOURS
MS3338-6839	6839	CLEAR	28.0	.024	.13	4000

SPHERICAL CANDLEPOWER (SCP) MUST BE OBTAINABLE AT RATED VOLTAGE. LAMPS SHALL BE AGED FOR 10 HOURS AT RATED VOLTAGE BEFORE MEASURING SCP.

SCP AT 1000 HOURS SHALL NOT BE LESS THAN 80% OF INITIAL SCP MEASURED AT RATED VOLTAGE.

STAMP OR ENGRAVE TRADE NUMBER AND MANUFACTURER'S TRADEMARK OR ABBREVIATION OF MANUFACTURER'S NAME ON LAMP BASE.

DIMENSIONS IN INCHES

FOR DESIGN FEATURE PURPOSES, THIS STANDARD TAKES PRECEDENCE OVER PROCUREMENT DOCUMENTS REFERENCED HEREIN. REFERENCED DOCUMENTS SHALL BE OF THE ISSUE IN EFFECT ON DATE OF INVITATIONS FOR BID.

This standard has been approved by the NAVAIRSYSCOM Department of the Navy and is mandatory for use by that activity. All other military activities are required to employ this standard where suitable.

REVISED
APPROVED 28 AUG 1968

P. A. Navy - AS Other Cust	TITLE LAMP-INCANDESCENT, T-1 BULB, BASED, 28-VOLT, INTEGRAL LIGHTING.	MILITARY STANDARD
PROCUREMENT SPECIFICATION MIL-L-6363	SUPERSEDES:	MS3338 (AS)
		SHEET 1 OF 1

DD FORM 1 SEP 57 672-1 (Limited coordination)

PREVIOUS EDITIONS OF THIS FORM ARE OBSOLETE.