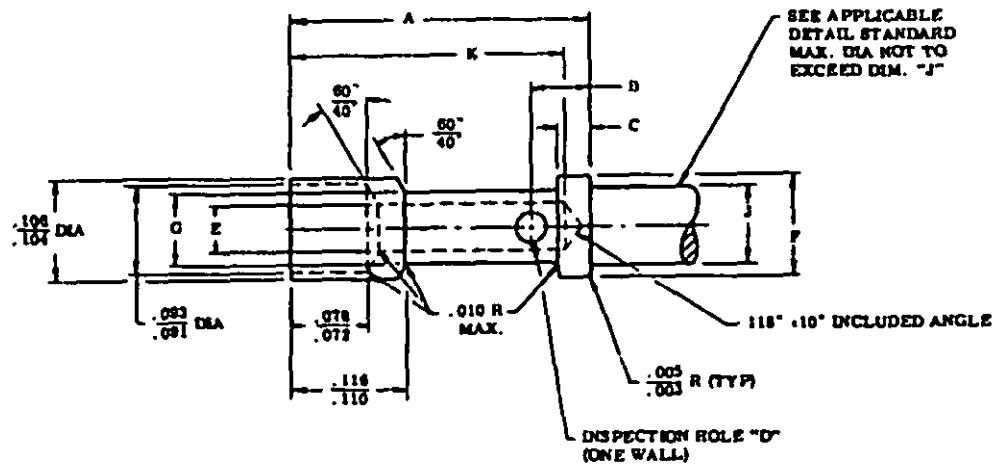


FED. SUP CLASS  
5935

USE SYMBOLS:  
NAVY-MC  
AF-19

REVISED SYMBOLS:  
ARMY-MC, ME, MU, EL  
NAVY-MC, AS  
AF-11, 13, 17



TYPE "A"

BARREL SIZE	WIRE RANGE	A	B	C	D DIA	E DIA	F DIA	G DIA	J DIA MAX.	K
ASD	20-23-24	.308 .304	.063 .057	.033 .029	.032 .028	.050 .048	.106 .098	.078 .076	.062	.298 .287

TYPE "A" INACTIVE FOR NEW CONNECTOR DESIGN  
AFTER 18 OCT 1968 USE TYPE B OR C

**NOTES**

1. MATERIAL, FINISH, AND MACHINED SURFACES SHALL BE AS SPECIFIED ON THE APPLICABLE PROCUREMENT SPECIFICATION OR DETAIL SPECIFICATION SHEET FOR THE CONTACT.
2. DIMENSIONS IN INCHES UNLESS OTHERWISE SPECIFIED.
3. ALL DIMENSIONS SHOWN ARE FOR FINISHED PART AFTER PLATING.
4. ALL DIAMETERS TO BE CONCENTRIC WITH EACH OTHER WITHIN .005 TOTAL INDICATOR READING (TIR).
5. SEE MIL-T 22500 MIL-C 22500 AND MIL-C 22216 FOR THE APPLICABLE CRIMPING TOOL AND THE PERFORMANCE REQUIREMENTS OF THE CRIMPED TERMINATION.
6. BREAK ALL SHARP EDGES AND REMOVE ALL BURRS.

THIS IS A DESIGN STANDARD AND SHALL NOT BE USED AS A PART NUMBER.

FOR DESIGN FEATURE PURPOSES THIS STANDARD TAKES PRECEDENCE OVER PROCUREMENT FILE AND ITS REFERENCES HEREIN. REVISIONS TO DOCUMENTS SHALL BE OF THE ORDER IN WHICH THEY APPEAR ON THE DATE OF REVISED EDITIONS.

① ENTIRE STANDARD REVISED AND REDRAWN.

This military standard is approved by the Department of Defense and is necessary for use by all Departments & Agencies of the Department of Defense. Attention for all new specifications, design modifications and for replacement use shall be made from this document.

P.A. NAVY - AS Other Com ARMY - EL AF-11	TITLE CONTACT WIRE BARREL, CRIMP TYPE	MILITARY STANDARD <b>MS3190</b>
PROCUREMENT SPECIFICATION NONE	SUPERSEDES	SHEET 1 OF 3

DD FORM 672-1 (Cover Sheet)

PREVIOUS EDITIONS OF THIS FORM ARE OBSOLETE.

PLATE NO. 13323

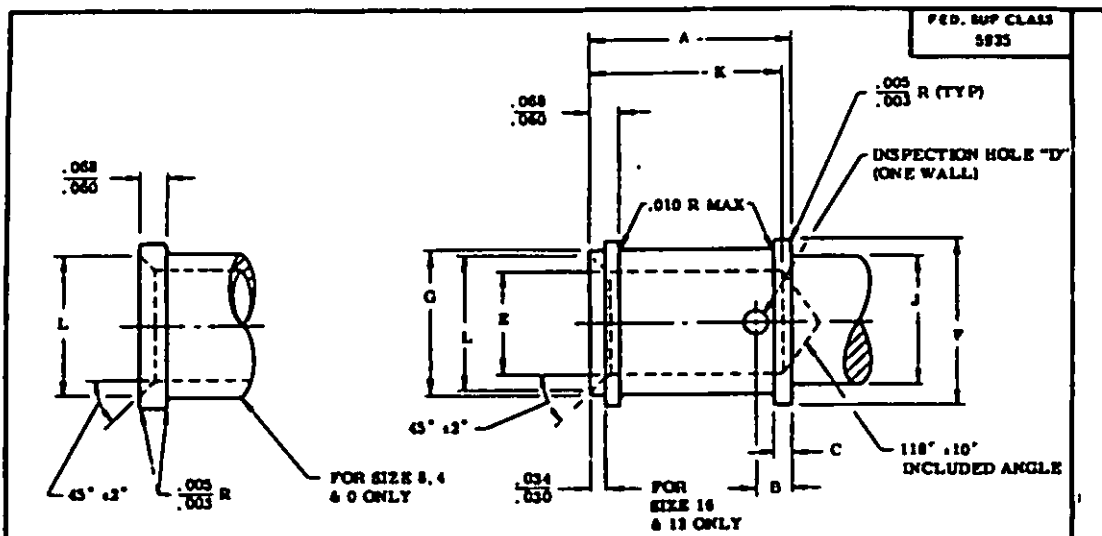
APPROVED 1 JUNE 1960 REVISED 2 APRIL 1968

USE SYMBOLS:  
NAVY-MC  
AF-13

REVISION SYMBOLS:  
ARMY-MI, MB, MU, EL  
NAVY-SR, AS  
AF-11, 13, 17

"Recent/new information is current as of the date of this document. For future coordination of changes in this document, draft coordination should be based on the information in the current 000133."

This military standard is approved by the Department of Defense and is necessary for use by all Departments & Agencies of the Department of Defense. Selection for all new engineering and design applications and for replacement use shall be made from this document.



TYPE "B"

BARREL SIZE	WIRE RANGE	A	B	C	D DIA	E DIA	F DIA	G DIA	J DIA MAX	K	L DIA
16	18-18-20	.345	.078	.048	.042	.068	.148	.105	.123	.328	.090
		.341	.073	.044	.038	.066	.144	.101	.123	.297	.080
12	12-14	.345	.078	.048	.042	.102	.202	.153	.171	.328	.125
		.341	.073	.044	.038	.098	.198	.147	.171	.297	.115
8	8	.320	.094	.048	.068	.184	.313	.209	.257	.534	.230
		.310	.084	.044	.060	.178	.303	.203	.257	.480	.220
4	4	.320	.094	.048	.068	.288	.419	.380	.376	.534	.364
		.310	.084	.044	.060	.278	.413	.370	.376	.480	.354
0	0	.675	.094	.048	.068	.458	.611	.568	.548	.690	.542
		.665	.084	.044	.060	.451	.607	.558	.548	.638	.532

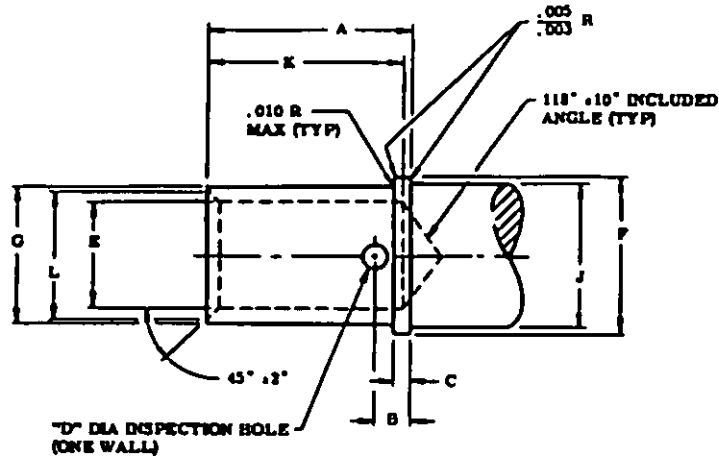
APPROVED 1 JUNE 1960 REVISED 7 FOR CHANGES SEE SHEET 1

P.A. NAVY - AS Other Code ARMY - EL AF-11	TITLE CONTACT WIRE BARREL, CRIMP TYPE	MILITARY STANDARD MS3190
PROCUREMENT SPECIFICATION NONE	SUPERSEDES	SHEET 3

FED. SUP CLASS  
5825

USED SYMBOLS:  
NAVY-MC  
AF-10

REVISED SYMBOLS:  
ARMY-MI, ME, MU, EL  
NAVY-DR, AS  
AF-11, BS, LY



TYPE "C"

\* System/user information is correct as of the date of this document.  
For future identification of changes to this document, their identification  
should be based on the information in the current 908153.

BARREL SIZE	WIRE RANGE	A	B	C	D DIA	E DIA	F DIA	G DIA	J DIA MAX	K	L DIA
20	20-22-24	.298 .294	.063 .057	.033 .029	.032 .028	.050 .048	.106 .088	.078 .076	.082	.270 .250	.064 .060
16	16-18-20	.298 .294	.079 .073	.048 .044	.042 .038	.068 .066	.148 .133	.105 .101	.123	.281 .250	.080 .080
12	12-14	.298 .294	.079 .073	.048 .044	.042 .038	.102 .088	.202 .189	.153 .147	.171	.281 .250	.125 .115
8	8	.520 .510	.094 .084	.048 .044	.068 .060	.184 .179	.313 .308	.269 .263	.257	.534 .480	.230 .220
4	4	.520 .510	.094 .084	.048 .044	.068 .060	.288 .278	.419 .408	.380 .370	.376	.534 .480	.384 .354
0	0	.675 .665	.094 .084	.048 .044	.068 .060	.458 .451	.611 .601	.568 .558	.548	.690 .636	.542 .532

This military standard is approved by the Department of Defense and is mandatory for use by all Departments & Agencies of the Government of Defense. Situation for stream engineering and design specifications and for recommitting was stated by note from this document.

APPROVED 1 JUNE 1960 REVISED (P) FOR CHANGED SEE SHEET 1

P.A. NAVY - AS  
Other Code ARMY - EL  
AF-11

PROCUREMENT SPECIFICATION NONE

TITLE CONTACT WIRE BARREL, CRIMP TYPE

SUPERSEDES

MILITARY STANDARD MS3190

SHEET 3