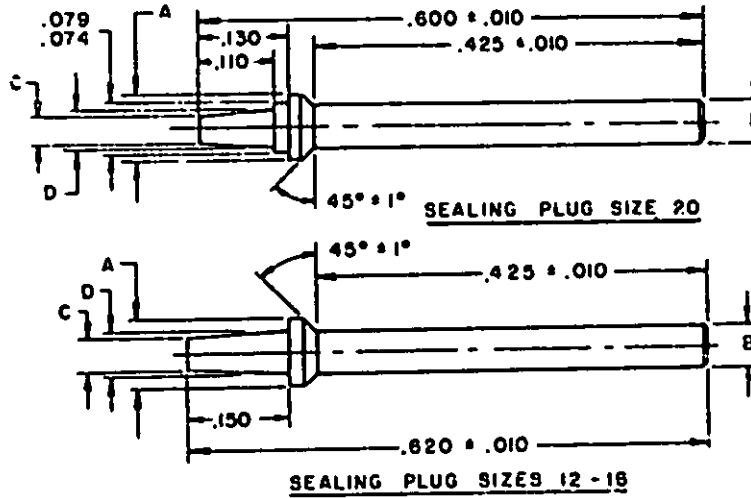


FED. SUP CLASS  
5935

User activities: Army - AV  
Navy -  
Air Force -

Review activities: Army - MI, MU, EL  
Navy - EC, SH  
Air Force - 11, 17

This military standard is approved for use by all Departments and Agencies of the Department of Defense. Selection for all new engineering and design applications and for repetitive use shall be made from this document when applicable.



Part number	Size	A	B ± .003	C	D	Color code
MS3187 A20	A20	.100 .102	.066	.034 .030	.042 .037	Red
MS3187-16	16	.105 .101	.088	.050 .045	.084 .059	Blue
MS3187-12	12	.153 .147	.120	.082 .077	.096 .091	Yellow

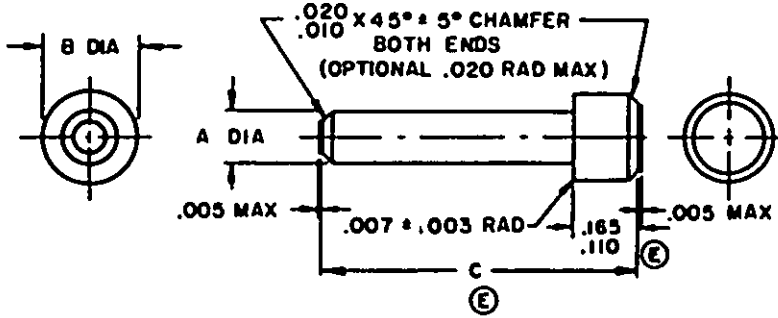
FIGURE 1. Grommet end seal for MIL-C-26482, series 1 and MIL-C-81703, series 2 electrical connectors.

FOR CHANGES SEE SHEETS 1 & 2

RA Navy - AS Other Cust Army - EL AF - 85	INTERNATIONAL STANDARD	TITLE PLUG, END SEAL, FOR MIL-C-26482, MIL-C-5015, MIL-C-81703 AND MIL-C-83723 ELECTRICAL CONNECTORS	MILITARY STANDARD <b>MS 3187</b>
PREVIOUS EDITIONS MIL-C-26482		SUPERSEDES: MS3187(NAVY)	PAGE 1 OF 2

APPROVED 25 Oct 66 REVISED (A) 4 Jan 67 (B) 15 Feb 67 (C) 1 Apr 71 (D) 5 Sep 75 (E) 14 Apr 1977

FED. SUP CLASS  
5935



Part number	install in connector contact cavity size	A Dia.	B Dia.	Color code	C
MS3187-20-2	20	.065 .045	.100 .085	Red	.584 .544
MS3187-16-2	16	.093 .073	.138 .128	Blue	.584 .544
MS3187-12-2	12	.131 .111	.176 .166	Yellow	.584 .544
MS3187-8-2	8	.195 .175	.320 .310	Red	.480 .460
MS3187-4-2	4	.320 .300	.420 .410	Blue	.480 .460
MS3187-0-2	0	.450 .430	.610 .600	Yellow	1.010 .990

NOTES:

- Dimensions are in inches.
- Unless otherwise specified, tolerances are  $\pm .005$  inch.
- Flash not to exceed  $.010$  inch.
- Break all sharp corners.
- Material: Nylon, in accordance with specification MIL-M-20693, type III for MIL-C-26482, series I and MIL-C-81703, series 2. TFE or equivalent nonconductive material capable of passing all class R performance requirements without damage to connector or plug. For MIL-C-26482, series 2, MIL-C-5015, MIL-C-81703, series 3, and MIL-C-83723.
- Color: Coding colors are specified and in accordance with MIL-STD-104.
- For design feature purposes, this standard takes precedence over procurement documents referenced herein.
- Referenced documents shall be of the issue in effect on date of invitations for bid.

FIGURE 2. Grommet end seal for MIL-C-26482, series 2, MIL-C-5015, MIL-C-81703, series 3, and MIL-C-83723 electrical connectors.

User activities: Army - AV  
Navy -  
Air Force -

Review activities: Army - MI, MJ, EL  
Navy - EC, SH  
Air Force - 11, 17

This military standard is approved for use by all Departments and Agencies of the Department of Defense. Selection for all new engineering and design applications and for repetitive use shall be made from this document when applicable.

REVISED 25 Oct 66 APPROVED 25 Oct 66

P.A. Navy - AS	International Interest /	TITLE PLUG, END SEAL, FOR MIL-C-26482, MIL-C-5015, MIL-C-81703 AND MIL-C-83723 ELECTRICAL CONNECTORS	MILITARY STANDARD <b>MS 3187</b>
Other Cust Army - EL AF - 85		SUPERSEDES: MS3187(NAVY)	PAGE 2 OF 2
Procurement Specification MIL-C-26482			