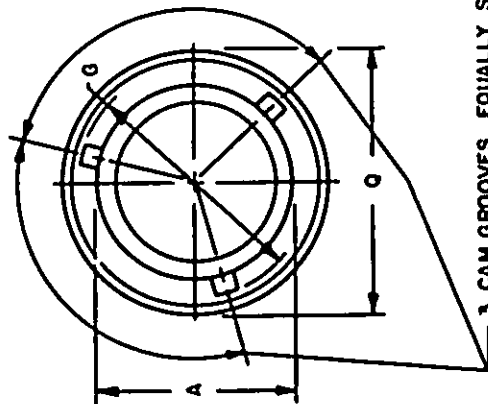
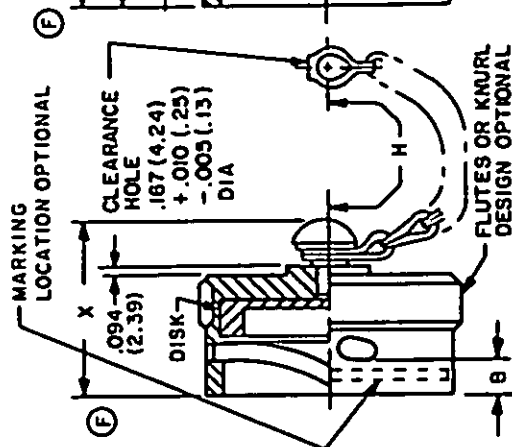
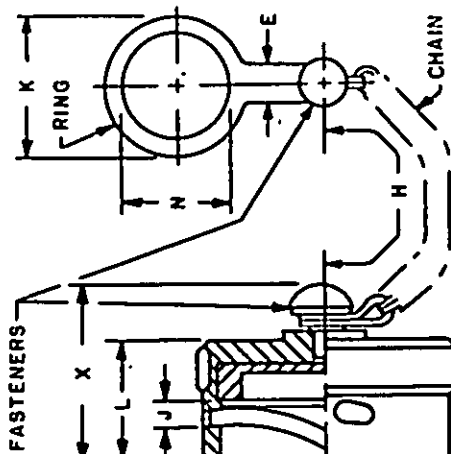


User activities: Army - AV, ME
Navy - SH
Air Force - 11

Review activities: Army - MU, MI
Navy - SH, EC
Air Force - 99

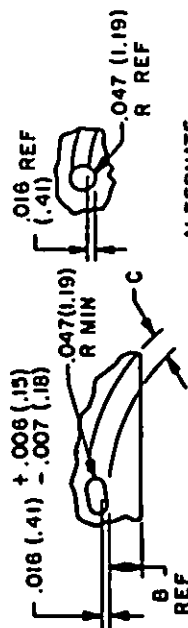
This military standard is approved for use by all Departments and Agencies of the Department of Defense. Selection for all new engineering and design applications and for repetitive use shall be made from this document when applicable.



3 CAM GROOVES EQUALLY SPACED WITHIN .005 (.13) WITH 3 HOLES EQUALLY SPACED WITHIN .010 (.25) FOR VISUAL INSPECTION OF COUPLING. (SEE DETAIL C)

COVER WITH CHAIN AND RING

COVER WITH CHAIN OR ROPE



ALTERNATE HOLE DESIGN

DETAIL C

(F) DENOTES CHANGES

P.A Navy - AS Other Cust USAF - BS Army - CR	International Interest	TITLE COVER, PROTECTIVE, ELECTRICAL CONNECTOR RECEPTACLE, BAYONET COUPLING FOR MIL-C-26482 CONNECTORS	MILITARY STANDARD
			MS3181
Procurement Specification MIL-C-26482	SUPERSEDES:		PAGE 1 OF 2

(F) Requisitions for covers without chain will be filled with covers with rope. For design feature purposes, this standard takes precedence over procurement documents referenced herein. Referenced documents shall be of the issue in effect on date of invitations for bid.

This military standard is approved for use by all Departments and Agencies of the Department of Defense. Selection for all new engineering and design applications and for repetitive use shall be made from this document when applicable.

User activities: Army - AV, ME
Navy - SH
Air Force - 11

Review activities: Army - MU, MI
Navy - SH, EC
Air Force - 99

P.A Navy - AS		Information Interest	TITLE COVER, PROTECTIVE, ELECTRICAL CONNECTOR RECEPTACLE, BAYONET COUPLING FOR MIL-C-26482 CONNECTORS		MILITARY STANDARD									
Other Cust USAF - 85 Army - CR					MS3181									
Procurement Specification MIL-C-26482			SUPERSEDES:		PAGE 2 OF 2									
DASH NO. (WITH CHAIN)	DASH NO. (WITH CHAIN AND RING)	DASH NO. (WITH ROPE)	A +.005 (.13) -.001 (.03) TD	C +.016 (.41) -.001 (.03) BAY GROOVE WIDTH	B MAX BAY LOCK LOC.	G +.005 (.13) -.006 (.15) ID SLOTS	H +.500 (12.70) -.250 (6.35) STO. CHAIN/ ROPE LENGTH	J +.010 (.25) -.015 (.38) DISK LOC.	L MAX LENGTH	N MIN ID RING	Q MAX DIA OVERALL	K RING O.D. MAX	E RING THROAT MIR	X MAX LENGTH OVERALL
-8C	-8N	-8R	.481 (12.22)			.576 (14.63)	3.000 (76.20)			.578 (14.68)	.734 (18.64)	.812 (20.62)		
-10C	-10N	-10R	.602 (15.29)			.697 (17.70)				.703 (17.86)	.859 (21.82)	1.000 (25.40)		
-12C	-12N	-12R	.761 (19.33)	.090 (2.29)	.149 (3.78)	.871 (22.12)				.891 (22.63)	1.000 (25.40)	1.188 (30.18)		
-14C	-14N	-14R	.885 (22.48)			.995 (25.27)	3.500 (88.90)	.115 (2.92)	.562 (14.27)	1.016 (25.81)	1.125 (28.58)	1.438 (36.53)	.731 (18.57)	
-16C	-16N	-16R	1.010 (25.65)			1.120 (28.45)				1.141 (28.98)	1.250 (31.75)	1.562 (39.67)		.811 (20.69)
-18C	-18N	-18R	1.136 (28.85)			1.245 (31.65)				1.266 (32.16)	1.375 (34.92)	1.668 (42.88)		
-20C	-20N	-20R	1.260 (32.00)	.089/.153 (2.26)(3.89)		1.370 (34.80)	4.000 (101.60)			1.391 (35.33)	1.500 (38.10)	1.812 (45.92)		
-22C	-22N	-22R	1.385 (35.18)			1.495 (37.97)				1.516 (38.51)	1.625 (41.28)	1.938 (49.23)		
-24C	-24N	-24R	1.510 (38.35)	.137 (3.48)	.087 (2.21)	1.624 (41.25)		.147 (3.73)	.602 (15.29)	1.641 (41.68)	1.750 (44.45)	2.067 (52.37)		.875 (22.22)

FED. SUP CLASS
5935

- NOTES:
1. Unless otherwise specified, dimensions in inches. Dimensioning and tolerancing in accordance with ANSI Y14.5-1973.
 2. Materials: Cover - Aluminum alloy; Bayonet pins stainless steel, passivated.
Chain - Stainless steel, passivated in accordance with RR-C-271, type II, class 3.
Disk - Silicone elastomer.
Fasteners - Stainless steel, passivated.
Ring - Stainless steel, passivated, .030 (.76 mm) maximum thickness.
Rope - 7 strand stainless steel, passivated.
3. The chain or rope shall rotate freely on the fastener.
Example of part number: MS3181 - 12C A L FINISH LENGTH - L-5 inches +.500, -.250 chain or rope in lieu of standard length. Leave blank for standard lengths.
 4. Finish - A-hard, anodic, non-conductive in accordance with MIL-A-8625, type III, .0008 inch minimum thickness.
 5. This cover must meet the fluid resistance requirements of MIL-C-26482, series 1 and 2 connectors.
 6. Metric equivalents are given for general information only and are based upon 1.00 inch = 25.4 mm.
 7. Metric equivalents are in parentheses.

APPROVED 25 Apr 61 REVISED (F) For changes see pages 1 and 2 8 JUL 1980