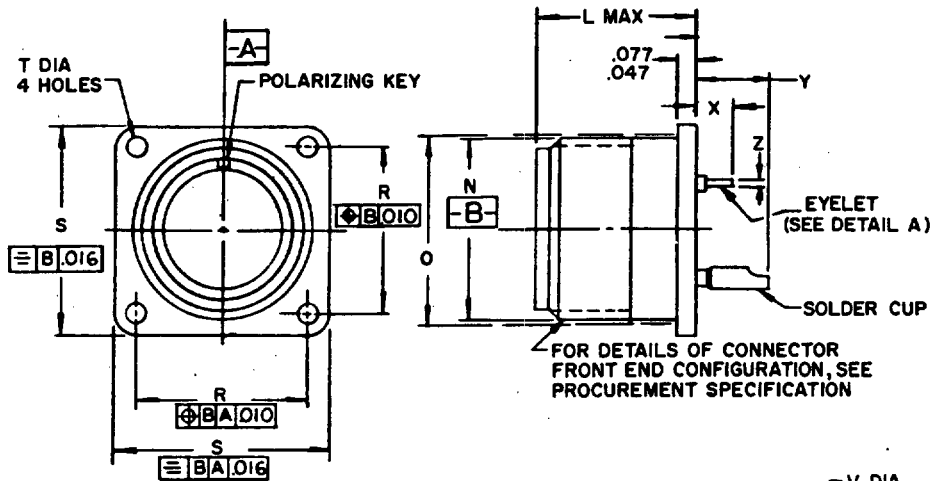
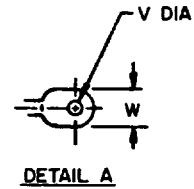


FED. SUP CLASS
5935



CONTACT SIZE	X MAX	Y MAX	Z MIN	V MIN	W MAX
16	.219	.375	.020	.065	.115
12	.281	.516	.020	.096	.190
8	--	.719	--	--	--
4	--	.980	--	--	--
0	--	.980	--	--	--



CLASS H - HERMETIC SEAL

CLASS H CONNECTORS WITH ELECTROLESS NICKEL FINISH INACTIVE FOR DESIGN AFTER 25 APRIL 1974.

NOTES:

1. Dimensions in inches. Unless otherwise specified, tolerances; decimals ±.016.
2. Dimensions and tolerancing in accordance with ANSI Y14.5-1973.
3. MIL-C-5015 front and rear release crimp contact connectors and solder contact connectors are interchangeable.
4. For insert arrangements see MIL-STD-1651.
5. For design feature purposes, this standard takes precedence over procurement documents referenced herein.
6. Referenced documents shall be of the issue in effect on date of invitations for bid.

ⓓ Denotes changes

User activities:

Review activities:
NAVY - EC

This military standard is approved for use by Naval Air Systems Command, Department of the Navy, and is available for use by all Departments and Agencies of the Department of Defense.

REVISED ⓐ 18 Feb 72 ⓑ 31 Oct 72 ⓒ 25 Apr 74 ⓓ 23 Jan 1978
APPROVED 18 Oct 71

P.A - AS	International interest	TITLE CONNECTORS, RECEPTACLE, ELECTRICAL, BOX MOUNTING, SOLDER CONTACT, HERMETIC, AN TYPE	MILITARY STANDARD
Other Cust			MS3142(NAVY)
Procurement Specification MIL-C-5015		SUPERSEDES:	PAGE 1 OF 2

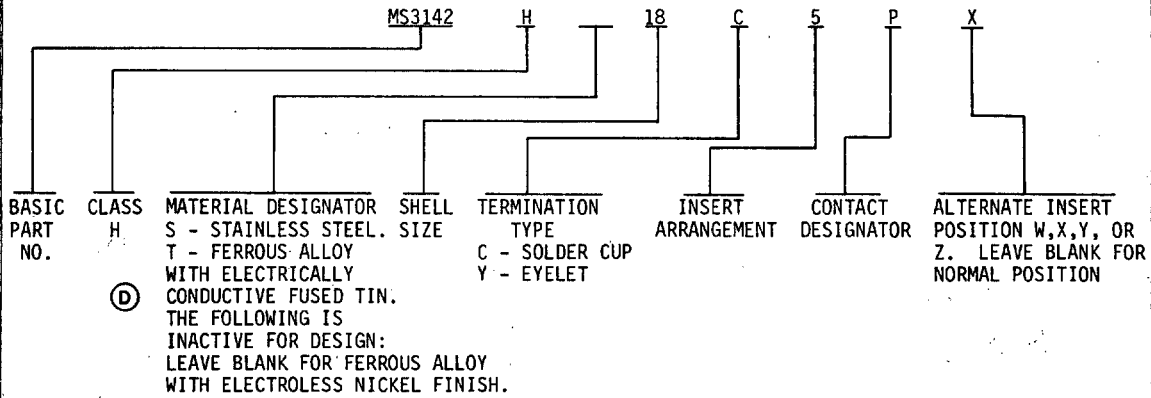
FED. SUP CLASS
5935

User activities:
Review activities:
NAVY - EC

SIZE	L MAX.		N + .000 - .062	O (REF.) MTG. HOLE	P T.P. C _L -C _L	S ± .031	T ± .005
	SIZE 20,16,12 & 8 CONT.	SIZE 4 & 0 CONT.					
8S	.730		.532	.562	.594	.875	.120
10S	.730		.656	.688	.719	1.000	
10SL	.730		.656	.688	.719	1.000	
12S	.730		.782	.812	.812	1.094	
12	.915		.782	.812	.812	1.094	
14S	.730		.906	.938	.906	1.188	
14	.915		.906	.938	.906	1.188	
16S	.730	1.040	1.032	1.062	.969	1.281	
16	.915		1.032	1.062	.969	1.281	
18			1.156	1.188	1.062	1.375	
20			1.282	1.312	1.156	1.500	
22			1.406	1.438	1.250	1.625	.120
24			1.532	1.562	1.375	1.750	.147
28			1.782	1.812	1.562	2.000	.147
32			2.032	2.062	1.750	2.250	.173
36			2.282	2.312	1.938	2.500	
40			2.532	2.562	2.188	2.750	
44			2.782	2.812	2.375	3.000	
48	.915	1.040	3.032	3.062	2.625	3.250	.173

(D)

EXAMPLE OF PART NO. MS 3142H 18C5P X



This military standard is approved for use by Naval Air Systems Command, Department of the Navy, and is available for use by all Departments and Agencies of the Department of Defense.

APPROVED 18 Oct 71 REVISED (D) For changes see pages 1 and 2

P.A - AS Other Cust	International Interest	TITLE CONNECTORS, RECEPTACLE, ELECTRICAL, BOX MOUNTING, SOLDER CONTACT, HERMETIC, AN TYPE	MILITARY STANDARD
Procurement Specification MIL-C-5015		SUPERSEDES:	MS 3142(NAVY)
			PAGE 2 OF 2