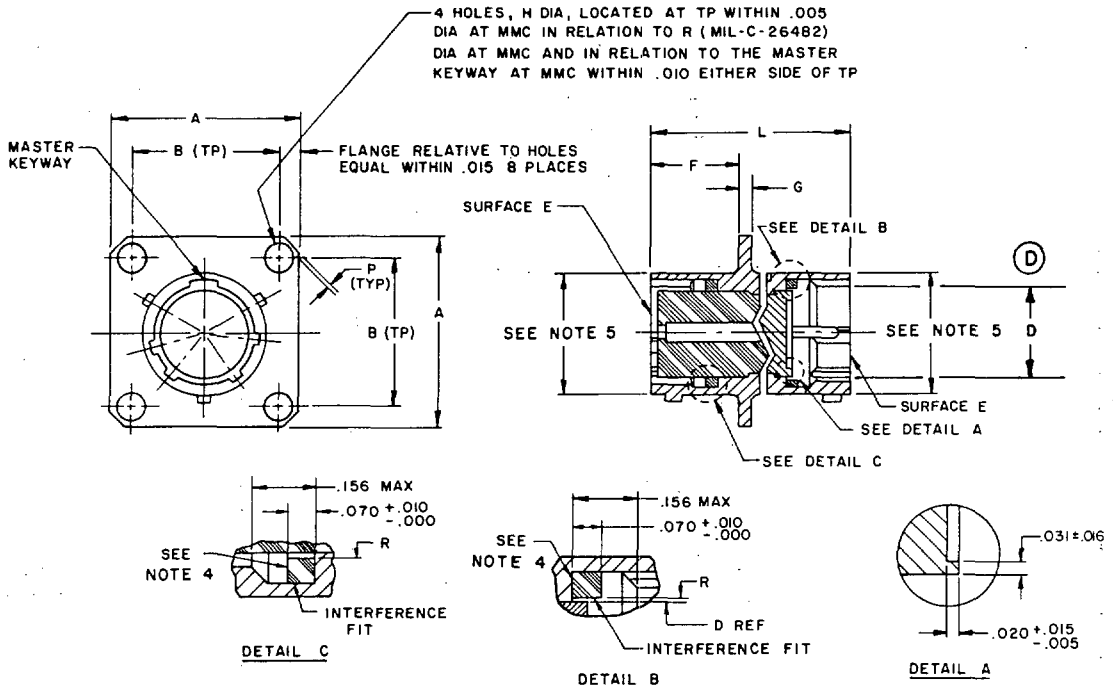


User activities: Army, AV
Navy
Air Force

Reviewer activities: Army MU, SH
Navy EC, SH
Air Force 11, 17, 99

This military standard is approved for use by all Departments and Agencies of the Department of Defense. Selection for all new engineering and design applications and for repetitive use shall be made from this document when applicable.



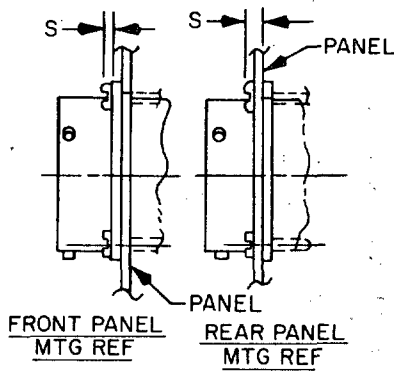
Class E, receptacle

Size	A Max length side	B (TP) Mtg holes	D Max insert dia pin	F +.031 -.000 Mtg flange location	G ±.016 Thk mtg flange	H ±.005 Dia mtg holes	L Max overall length	P Min edge dist	R Max ID gasket	S Max panel and screw head
8	.828	.594	.347						.378	
10	.954	.719	.464						.506	
12	1.047	.812	.581						.618	
14	1.141	.906	.703	.562	.062	.120	1.125	.035	.745	.218
16	1.234	.969	.828						.872	
18	1.328	1.062	.938						.972	
20	1.453	1.156	1.063						1.097	
22	1.578	1.250	1.188	.688	.094		1.406	.050	1.222	.344
24	1.703	1.375	1.313			.147			1.347	.311

Ⓧ Denotes changes

P.A Navy - AS	International interest:	TITLE CONNECTORS, RECEPTACLE, ELECTRIC, SERIES 1, THRU-BULKHEAD MTG., FLANGE, BAYONET COUPLING	MILITARY STANDARD
Other Cust Army - EL AF - 85			MS 3119
Procurement Specification MIL-C-26482		SUPERSEDES:	PAGE 1 OF 2

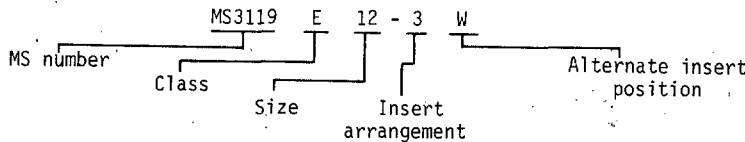
APPROVED 14 May 59 REVISED (A) 24 Aug 62 (B) 15 Feb 67 (C) 5 SEPT 1975 (D) 31 July 1978



INCHES		MM		INCHES		MM	
.005	.13	.464	11.79	1.062	26.97		
.010	.25	.506	12.85	1.063	27.00		
.015	.38	.562	14.27	1.097	27.86		
.016	.41	.581	14.76	1.141	28.98		
.020	.51	.594	15.09	1.156	29.36		
.031	.79	.618	15.70	1.188	30.18		
.035	.89	.688	17.48	1.222	31.04		
.050	1.27	.703	17.86	1.234	31.34		
.062	1.57	.719	18.26	1.250	31.75		
.070	1.78	.745	18.92	1.313	33.35		
.094	2.39	.812	20.62	1.328	33.73		
.120	3.05	.828	21.03	1.347	34.21		
.147	3.73	.872	22.15	1.375	34.92		
.156	3.96	.906	23.01	1.406	35.71		
.218	5.54	.938	23.83	1.453	36.91		
.311	7.90	.954	24.23	1.578	40.08		
.344	8.74	.969	24.61	1.703	43.26		
.347	8.81	.972	24.69				
.378	9.60	1.047	26.59				

NOTES:

1. Dimensions are in inches.
2. Metric equivalents are given for general information only and are based upon 1.00 inch = 25.4 mm.
3. True position (TP) tolerances specified are in accordance with ANSI Y14.5-1973.
4. Packing material shall meet the requirements of MIL-STD-417.
5. Interchangeability dimensions shall be in accordance with MIL-C-26482.
6. Insert arrangements see MIL-STD-1669.
7. Example of part number:



8. For design feature purposes, this standard takes precedence over procurement documents referenced herein.
9. Referenced documents shall be of the issue in effect on date of invitations for bid.

User activities: Army, AV
Navy
Air Force

Reviewer activities: Army MU, SH
Navy EC, SH
Air Force 11, 1, 99

This military standard is approved for use by all Departments and Agencies of the Department of Defense. Selection for all new engineering and design applications and for repetitive use shall be made from this document when applicable.

APPROVED 14 May 59 REVISED (C) Entire standard revised (D) For changes see page 1

P.A Navy - AS	International interest	TITLE	MILITARY STANDARD
Other Cust Army - EL AF - 85		CONNECTORS, RECEPTACLE, ELECTRIC, SERIES 1, THRU-BULKHEAD MTG., FLANGE, BAYONET COUPLING	MS 3119
Procurement Specification MIL-C-26482		SUPERSEDES:	
			PAGE 2 OF 2