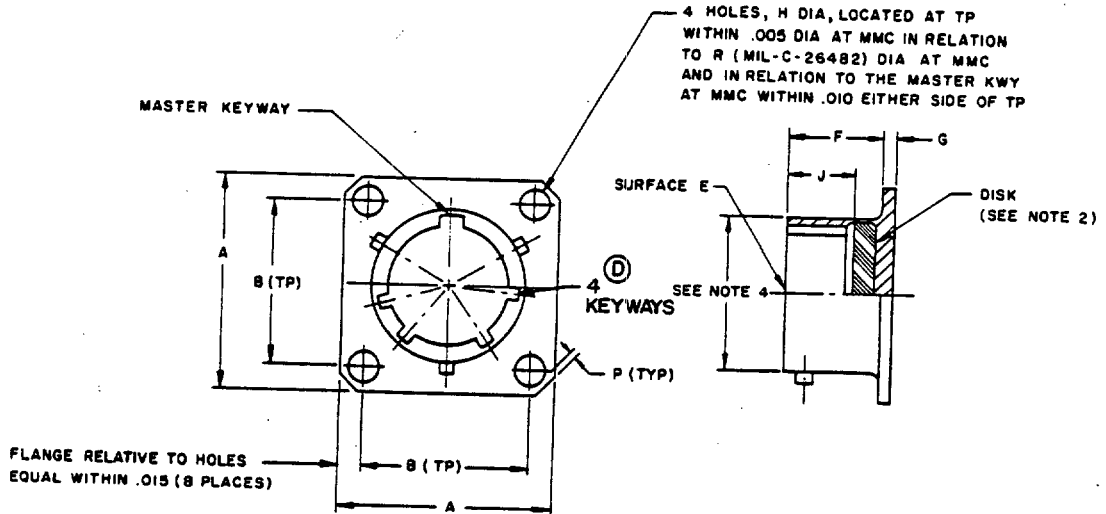


FED. SUP CLASS
5935

User activities: Army - AV
Navy -
Air Force -

Review activities: Army - AR, MI,
Navy - EC, SH
Air Force - 11,17,99



Size	A Max length side	B (TP) Q _L - Q _L Mtg holes	F +.031 -.000 Mtg flange location	G ±.016 Thk mtg flange	H Dia ±.005 mtg holes	J +.010 -.020 Disk location	P Min edge dist
-8	.828	.594					
-10	.954	.719					
-12	1.047	.812					
-14	1.141	.906	.462	.062	.120	.328	.035
-16	1.234	.969					
-18	1.328	1.062					
-20	1.453	1.156					
-22	1.578	1.250	.556	.094		.390	.050
-24	1.703	1.375	.589		.147		

ⓐ DENOTES CHANGES

This military standard is approved for use by all Departments and Agencies of the Department of Defense. Selection for all new engineering and design applications and for repetitive use shall be made from this document when applicable.

P.A. Navy - AS	International interest	TITLE ⓐ CONNECTORS, RECEPTACLE, ELECTRICAL DUMMY STOWAGE, BAYONET COUPLING FOR MIL-C-26482 CONNECTORS	MILITARY STANDARD
Other Cust Army - EL AF - 85		SUPERSEDES:	MS3115
Procurement Specification MIL-C-26482			PAGE 1 OF 2

DD FORM 1 MAY 73 672 (Coordinated) PREVIOUS EDITIONS OF THIS FORM ARE OBSOLETE.

5935-3006-14

APPROVED 25 Apr 61
REVISED ⓐ 10 Sep 62 ⓑ 15 Feb 67 ⓒ 5 Sep 75 ⓓ 1 Dec 77

User activities: Army - AV
Navy -
Air Force -

Review activities: Army - AR, MI,
Navy - EC, SH
Air Force - 11, 17, 99

This military standard is approved for use by all Departments and Agencies of the Department of Defense. Selection for all new engineering and design applications and for repetitive use shall be made from this document when applicable.

INCHES	MM	INCHES	MM	INCHES	MM	INCHES	MM
.005	.13	.120	3.05	.812	20.62	1.234	31.34
.010	.25	.147	3.73	.828	21.03	1.250	31.75
.016	.41	.328	8.33	.906	23.01	1.328	33.73
.020	.51	.390	9.91	.954	24.23	1.375	34.92
.031	.79	.462	11.73	.969	24.61	1.453	36.91
.035	.89	.556	14.12	1.047	26.59	1.578	40.08
.050	1.27	.589	14.96	1.062	26.97	1.703	43.26
.062	1.57	.594	15.09	1.141	28.98		
.094	2.39	.712	18.08	1.156	29.36		

NOTES:

1. Dimensions are in inches.
2. Disk material: Synthetic rubber; must meet the requirements of MIL-STD-417; or silicone elastomer.
3. True position (TP) tolerances specified are in accordance with ANSI Y14.5-1973.
4. Interchangeability dimensions shall be in accordance with MIL-C-26482.
5. Finish - See MIL-C-26482.
6. Example of part number:

(D)
(C)

$$\frac{\text{MS3115}}{\text{MS number}} - \frac{12}{\text{Size}} \frac{\text{L}}{\text{Finish}}$$

7. For design feature purposes, this standard takes precedence over procurement documents referenced herein.
8. Referenced documents shall be of the issue in effect on date of invitations for bid.
9. This dummy stowage must meet the fluid resistance requirements of MIL-C-26482, series 1 and 2 connectors.
10. Material: Dummy stowage - Aluminum alloy.
11. Metric equivalents are given for general information only and are based upon 1.00 inch = 25.4 mm.

(D)
(D)
(D)

APPROVED 25 Apr 61 REVISED (D) For changes see pages 1 and 2

P.A Navy - AS	International Interest	TITLE (D) CONNECTORS, RECEPTACLE, ELECTRICAL DUMMY STOWAGE, BAYONET COUPLING FOR MIL-C-26482 CONNECTORS	MILITARY STANDARD
Other Cust Army - EL AF - 85			MS3115
Procurement Specification MIL-C-26482	SUPERSEDES:		PAGE 2 OF 2