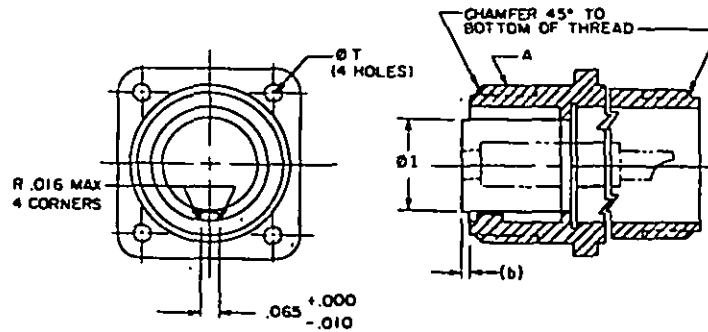
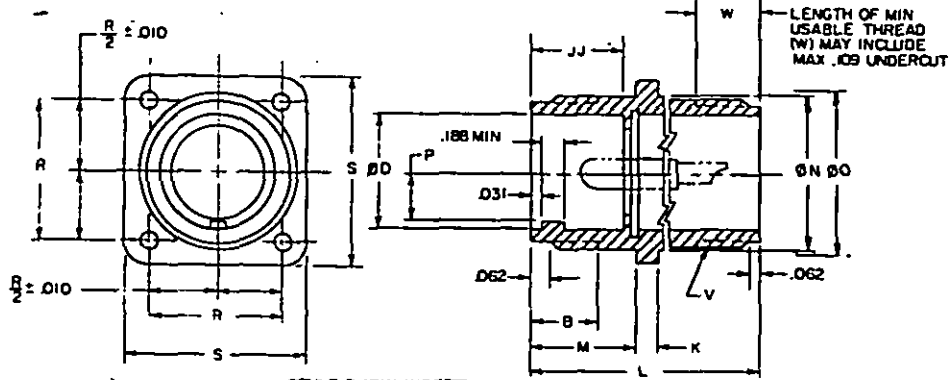


Form approved
OMB No. 0704-0188



STYLE S (SOCKET INSERT)



STYLE P (PIN INSERT)

CLASS A - SOLID SHELL / CLASS C - PRESSURIZED

SIZE	A COUPLING THREAD	B MIN USABLE THREAD	D +.015 -.000 Ø INSIDE	Ø T MAX INSERT	(c) JJ +.031 -.000 INSERT LOCATION	K THICKNESS MOUNTING FLANGE MAX MIN	L MAX OVERALL LENGTH	M +.031/ -.000 MOUNTING FLANGE LOCATION	N MAX Ø Ø W/50%	Ø O (F # 1) MOUNTING HOLE	P +.015 -.000 KEY HEIGHT	R +.005 CL-CL MOUNTING HOLES	S +.031 LENGTH SIDE	Ø T +.010/ -.005 MOUNTING BOLT HOLE	V THREAD	W MIN USABLE THREAD	FOR INSERT ARRANGE- MENT SEE DRAWING
85	1/2-28		.370	.250			1.469		.532	.562	.130	.594	.875				
105	5/8-24	.375	.448	.320	.562		1.531	.562	.656	.688	.165	.719	1.000		1/2-28		
105L																	
125	3/4-20		.557	.448			1.688		.782	.812	.224	.812	1.094		5/8-24		
12		.625			.750	.156	.062	2.062	.750								
145	7/8-20	.375	.682	.525	.562		1.688	.562	.906	.938	.263	.906	1.188	.120	3/4-20	.375	
14		.625			.750		2.062	.750									
165	1 -20	.375	.807	.650	.562		1.688	.562	1.032	1.062	.325	.969	1.281		7/8-20		
16							2.062										
18	1-1/8-18		.932	.770			2.062	.750	1.156	1.188	.385	1.062	1.375		1 -20		MIL-STD-1651
20	1-1/4-18		1.058	.925	.750		2.188		1.282	1.312	.463	1.156	1.500				
22	1-3/8-18		1.182	1.020	.750	.203	.094		1.406	1.438	.510	1.250	1.625		1-3/16-18		
24	1-1/2-18	.625	1.307	1.145					1.532	1.562	.573	1.375	1.750				
20	1-3/4-18		1.526	1.365			2.312	.812	1.782	1.812	.883	1.562	2.000	.147	1-7/16-18		
32	2 -18		1.776	1.615					2.032	2.062	.808	1.750	2.250		1-3/4-18	.438	
36	2-1/4-16		1.995	1.830			2.430		2.282	2.312	.915	1.938	2.500		2 -18		.500
40	2-1/2-16		2.245	2.045	.359	.125			2.532	2.562	1.023	2.188	2.750	.173	2-1/4-16		
44	2-3/4-16		2.495	2.300					2.782	2.812	1.150	2.375	3.000		2-1/2-16		.562
48	3 -16		2.745	2.550			2.562		3.032	3.062	1.275	2.625	3.250		3 -16	.625	

PREPARING ACTIVITY: NAVY-AS
CUSTODIANS: ARMY-CR NAVY-AS
AIR FORCE-85 NASA-NA
REVIEW: ARMY-MI, AV, ME, NAVY-SH, EC, AF-99
USER: ARMY-AT, NAVY-OS, MC, CG
PROJECT NUMBER: 5935-3887

MILITARY SPECIFICATION SHEET
TITLE CONNECTOR, RECEPTACLE,
ELECTRIC, WALL MOUNTING,
SOLDER CONTACTS, AN TYPE

SPECIFICATION SHEET NUMBER 20 AUG 92
MS3100 REV F
SUPERSEDING MS3100 E 31 AUG 90
AMSC- N/A FSC 5935

DISTRIBUTION STATEMENT A. Approved for public release; distribution is unlimited.

Page 1 of 9

THE REQUIREMENTS FOR ACQUIRING THE PRODUCT(S) DESCRIBED HEREIN SHALL CONSIST OF THIS SPECIFICATION SHEET AND THE ISSUE OF THE FOLLOWING SPECIFICATION LISTED IN THAT ISSUE OF THE DODISS SPECIFIED IN THE SOLICITATION: MIL-C-5015

THIS SPECIFICATION IS APPROVED FOR USE BY ALL DEPARTMENTS AND AGENCIES OF THE DEPARTMENT OF DEFENSE.

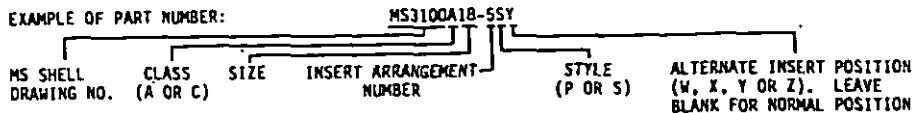
GROUP 111E UNCLASSIFIED

THE REQUIREMENTS FOR ACQUIRING THE PRODUCT(S) DESCRIBED HEREIN SHALL CONSIST OF THIS SPECIFICATION SHEET AND THE ISSUE OF THE FOLLOWING SPECIFICATION LISTED IN THAT ISSUE OF THE DODISS SPECIFIED IN THE SOLICITATION: MIL - C - 5015

NOTES:

- (F) (a) SIZES B5 THRU 40 OF CLASSES A AND C ARE CANCELLED AFTER 1 JAN 1991. FOR REPLACEMENT PURPOSES USE CLASS F FOR SADDLE CLAMP WITH GROMMET SEAL OR CLASS R FOR GROMMET SEAL WITHOUT SADDLE CLAMP. MANUFACTURERS MAY CONTINUE TO SUPPLY THESE SIZES OF CLASSES A AND C UNTIL 1 JAN 1992 OR EXHAUST THEIR INVENTORIES, WHICHEVER COMES FIRST. FOR NEW DESIGN USE MS3450W WITH THE APPROPRIATE M85049/31 BACKSHELL. FOR SHIPBOARD JACKETED CABLES USE MS3400.
- (b) SIZES 44 AND 48 OF CLASSES A AND C ARE INACTIVE FOR NEW DESIGN AFTER 17 DECEMBER 1958.
- (c) WHERE RESILIENT INSERTS ARE USED, JJ MAY BE .109 LESS THAN THAT INDICATED.
- (d) SOCKET INSERT OF HARD MATERIAL SHALL EXTEND .016 MAXIMUM BEYOND OR .032 MAXIMUM BELOW SHELL. SOCKET INSERT OF RESILIENT MATERIAL SHALL EXTEND .047 +.000 -.047 BEYOND SHELL AS SHOWN.
- (e) CONNECTORS MS3100A (OR C) REPLACE AND ARE INTERCHANGEABLE WITH CORRESPONDING AN3100A (OR C) CONNECTORS.

EXAMPLE OF PART NUMBER:



DIMENSIONS IN INCHES. UNLESS OTHERWISE SPECIFIED, TOLERANCES: DECIMALS ±.016. THIS SPECIFICATION SHEET TAKES PRECEDENCE OVER DOCUMENTS REFERENCED HEREIN. REFERENCED DOCUMENTS SHALL BE OF THE ISSUE IN EFFECT ON DATE OF INVITATIONS FOR BID.

CERTAIN PROVISIONS OF THIS SPECIFICATION SHEET ARE THE SUBJECT OF INTERNATIONAL STANDARDIZATION AGREEMENTS NATO STANAG 3372, NEPR 28. WHEN AMENDMENT, REVISION, OR CANCELLATION OF THIS SPECIFICATION SHEET IS PROPOSED WHICH WILL MODIFY THE INTERNATIONAL AGREEMENT CONCERNED, THE PREPARING ACTIVITY WILL TAKE APPROPRIATE ACTION THROUGH INTERNATIONAL STANDARDIZATION CHANNELS INCLUDING DEPARTMENTAL STANDARDIZATION OFFICES TO CHANGE THE AGREEMENT OR MAKE OTHER APPROPRIATE ACCOMMODATIONS.

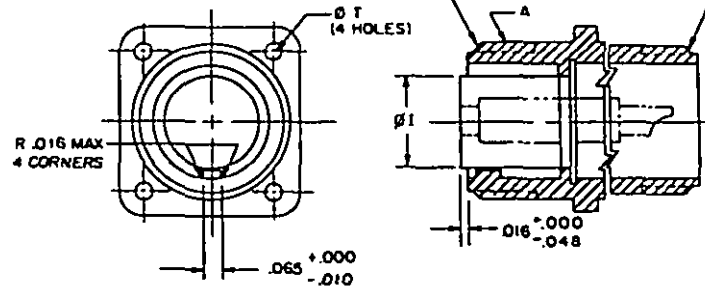
(F) DENOTES CHANGE

THIS SPECIFICATION IS APPROVED FOR USE BY ALL DEPARTMENTS AND AGENCIES OF THE DEPARTMENT OF DEFENSE.

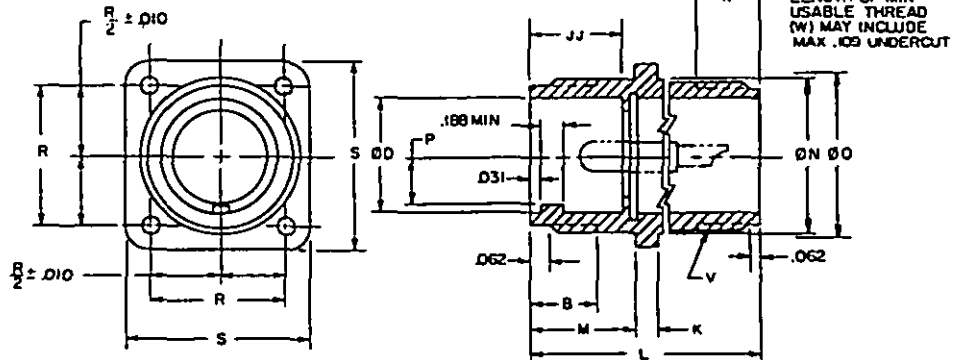
PREPARING ACTIVITY: NAVY-AS CUSTODIANS: ARMY-CR NAVY-AS AIR FORCE-85 NASA-NA REVIEW: ARMY-MI, AV, ME, NAVY-SH, EC, AF-99 USER: ARMY-AT, NAVY-OS, MC, CG PROJECT NUMBER: 5935-3887	MILITARY SPECIFICATION SHEET TITLE CONNECTOR, RECEPTACLE, ELECTRIC, WALL MOUNTING, SOLDER CONTACTS, AN TYPE	SPECIFICATION SHEET NUMBER MS3100 20 AUG 92 REV F SUPERSADING MS3100 E 31 AUG 90 AMSC- N/A FSC 5935
--	--	---

DISTRIBUTION STATEMENT A. Approved for public release; distribution is unlimited. Page 2 of 9

Form approved
OMB No. 0704-0188



STYLE S (SOCKET INSERT)



STYLE P (PIN INSERT)

CLASS K - FIREWALL

SIZE	A COUPLING THREAD	B MIN USABLE THREAD	D + .015 - .000 Ø INSIDE	Ø I MAX INSERT	JJ + .031 - .000 INSERT LOCATION	K MIN THICKNESS MOUNTING FLANGE	L MAX OVERALL LENGTH	H + .031/- .000 MOUNTING FLANGE LOCATION	R MAX Ø OUTSIDE	Ø O (ref) MOUNTING HOLE	P + .015 - .000 KEY HEIGHT	R + .005 CL-CL MOUNTING HOLES	S + .031 LENGTH SIDE	Ø T + .010/- .005 MOUNTING BOLT HOLE	Y THREAD	W MIN USABLE THREAD	FOR INSERT ARRANGE- MENT SEE
85	1/2-28		.370	.250					.532	.562	.130	.594	.875				
105	5/8-24	.375	.448	.320	.562		2.188	.562	.656	.688	.165	.719	1.000		1/2-28		
105L																	
125	3/4-20		.557	.448											5/8-24		
12		.625			.750	.062	2.875	.750	.782	.812	.224	.812	1.094	.150			
145		.375			.562		2.188	.562									
14	7/8-20	.625	.682	.525	.750		2.875	.750	.906	.938	.263	.906	1.188		3/4-20	.375	MIL- STD- 1651
165		.375			.562		2.188	.562									
16	1 -20		.807	.650					1.032	1.062	.325	.969	1.281		7/8-20		
18	1-1/8-18		.932	.770			2.875	.750	1.156	1.188	.385	1.062	1.375		1 -20		
20	1-1/4-18		1.056	.925					1.244	1.275	.463	1.256	1.500		1-3/16-18		
22	1-3/8-18	.625	1.182	1.020	.750				1.406	1.438	.510	1.250	1.625				
24	1-1/2-18		1.307	1.145		.078		.812	1.625	1.688	.573	1.375	1.750	.177			
28	1-3/4-18		1.526	1.365			3.125		1.782	1.812	.683	1.562	2.000		1-7/16-18		
32	2 -18		1.776	1.615				.875	2.032	2.062	.808	1.750	2.250		1-3/4-18	.428	
36	2-1/4-16		1.995	1.830		.125		.875	2.282	2.312	.915	1.938	2.500	.209	2 -18	.500	
40	2-1/2-16		2.245	2.045					2.532	2.562	1.023	2.188	2.750		2-1/4-16		

PREPARING ACTIVITY: NAVY-AS
CUSTODIANS: ARMY-CR NAVY-AS
AIR FORCE-85 NASA-NA
REVIEW: ARMY-MI, AV, ME, NAVY-SM, EC, AF-99
USER: ARMY-AT, NAVY-OS, MC, CG
PROJECT NUMBER: 5935-3887

MILITARY SPECIFICATION SHEET
TITLE CONNECTOR, RECEPTACLE,
ELECTRIC, WALL MOUNTING,
SOLDER CONTACTS, AN TYPE

SPECIFICATION SHEET NUMBER 20 AUG 92
MS3100 REV F
SUPERSEDING MS3100 E 31 AUG 90
AMSC- N/A FSC 5935

DISTRIBUTION STATEMENT A. Approved for public release; distribution is unlimited.

THE REQUIREMENTS FOR ACQUIRING THE PRODUCT(S) DESCRIBED HEREIN SHALL CONSIST OF THIS SPECIFICATION SHEET AND THE ISSUE OF THE FOLLOWING SPECIFICATION LISTED IN THAT ISSUE OF THE DODDIS SPECIFIED IN THE SOLICITATION: MIL-C-5015

THIS SPECIFICATION IS APPROVED FOR USE BY ALL DEPARTMENTS AND AGENCIES OF THE DEPARTMENT OF DEFENSE.

MARKET STATE INFORMATION

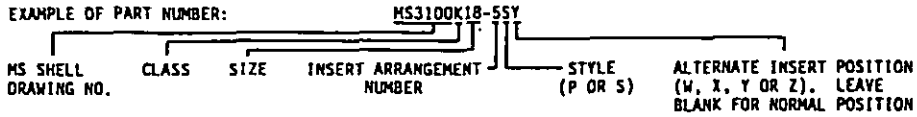
Form approved
OMB No. 0704-0188

THE REQUIREMENTS FOR ACQUIRING THE PRODUCT(S) DESCRIBED HEREIN SHALL CONSIST OF THIS SPECIFICATION SHEET AND THE ISSUE OF THE FOLLOWING SPECIFICATION LISTED IN THAT ISSUE OF THE DODISS SPECIFIED IN THE SOLICITATION: MIL - C - 5015

NOTES:

- (a) CLASS K IS INACTIVE FOR NEW DESIGN AFTER 1 JAN 1991. USE MS3450K WITH THE APPROPRIATE M85049/31 BACKSHELL FOR NEW DESIGN. FOR SHIPBOARD JACKETED CABLES USE MS3400.
- (b) CONNECTORS MS3100K REPLACE AND ARE INTERCHANGEABLE WITH CORRESPONDING AN3100K CONNECTORS.

EXAMPLE OF PART NUMBER:



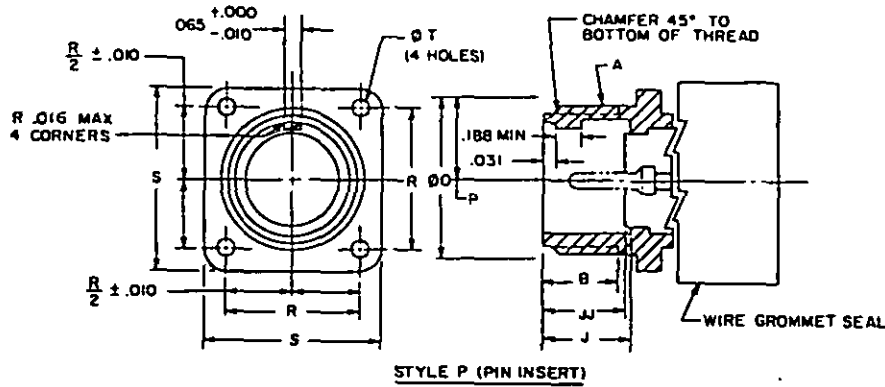
DIMENSIONS IN INCHES. UNLESS OTHERWISE SPECIFIED, TOLERANCES: DECIMALS ±.016. FOR DESIGN FEATURE PURPOSES, THIS SPECIFICATION SHEET TAKES PRECEDENCE OVER DOCUMENTS REFERENCED HEREIN. REFERENCED DOCUMENTS SHALL BE OF THE ISSUE IN EFFECT ON DATE OF INVITATIONS FOR BID.

(F) DENOTES CHANGE

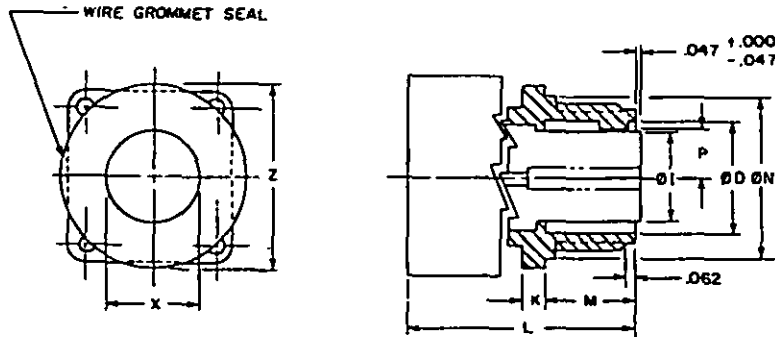
THIS SPECIFICATION IS APPROVED FOR USE BY ALL DEPARTMENTS AND AGENCIES OF THE DEPARTMENT OF DEFENSE.

PREPARING ACTMITY: NAVY-AS CUSTODIANS: ARMY-CR NAVY-AS AIR FORCE-85 NASA-NA REVIEW: ARMY-MI, AV, ME, NAVY-SH, EC, AF-99 USER: ARMY-AT, NAVY-OS, MC, CG PROJECT NUMBER: 4935-3887	MILITARY SPECIFICATION SHEET TITLE CONNECTOR, RECEPTACLE, ELECTRIC, WALL MOUNTING, SOLDER CONTACTS, AN TYPE	SPECIFICATION SHEET NUMBER MS3100 20 AUG 92 REV F
		SUPERSEDING MS3100 E 31 AUG 90 ANSC- N/A FSC 5935
DISTRIBUTION STATEMENT A. Approved for public release; distribution is unlimited.		Page <u>4</u> of <u>9</u>

THE REQUIREMENTS FOR ACQUIRING THE PRODUCT(S) DESCRIBED HEREIN SHALL CONSIST OF THIS SPECIFICATION SHEET AND THE ISSUE OF THE FOLLOWING SPECIFICATION LISTED IN THAT ISSUE OF THE ODDISS SPECIFIED IN THE SOLICITATION: MIL-C-5015



STYLE P (PIN INSERT)



STYLE S (SOCKET INSERT)

CLASS E - ENVIRONMENT RESISTANT

SIZE	A COUPLING THREAD	B MIN USABLE THREAD	D +.015 -.000 Ø INSIDE	Ø I MAX INSERT	J +.031 -.000 INT SHELL SHLDR	JJ ±.031 INSERT LOCA- TION	K THICKNESS MOUNTING FLANGE	L (b) MAX OVER- ALL LENGTH	M +.031 -.000 MTG FLANGE LOCATION	N MAX Ø OUTSIDE	Ø O (ref) MOUNT- ING HOLE	P +.015 -.000 KEY HEIGHT	R +.005 CL-CL MTG HOLES	S +.031 LENGTH SIDE	Ø T +.010 -.005 MTG HOLES	X MIN CABLE CLEAR- ANCE	Z MAX ACROSS CABLE ADAPTER ASSY	FOR INSERT ARRANGE- MENT SEE	
85	1/2-28		.370	.250						.532	.562	.130	.594	.875					
105	5/8-24	.375	.448	.320	.562	.484		2.250	.562	.656	.688	.165	.719	1.000		.172	1.046		
105L																			
125	3/4-20	.525	.557	.448	.750	.672	.156	.078	.750	.782	.812	.224	.812	1.094		.281	1.125		
12																			
145	7/8-20	.375	.682	.525	.562	.484		2.250	.562	.906	.938	.263	.906	1.188	.120	.406	1.343		
14					.625	.750	.672		2.625	.750									
165	1 -20	.375	.807	.650	.562	.484		2.250	.562	1.032	1.062	.325	.969	1.281		.500	1.484		
16																			
18	1-1/8-18		.932	.770				2.688	.750	1.156	1.188	.385	1.062	1.375		.531	1.609		
20	1-1/4-18		1.058	.925						1.282	1.312	.463	1.156	1.500		.656	1.890		
22	1-3/8-18		1.182	1.020	.750	.672	.203	.094	.750	1.406	1.438	.510	1.250	1.625		.750			
24	1-1/2-18	.625	1.307	1.145				2.969	.812	1.532	1.562	.573	1.375	1.750		.781	2.170		
28	1-3/4-18		1.526	1.365						1.782	1.812	.683	1.562	2.000	.147	.922			
32	2 -18		1.776	1.615				3.031		2.032	2.062	.808	1.750	2.250		1.156	2.656		
36	2-1/4-16		1.995	1.830			.359	.125	.875	2.262	2.312	.915	1.838	2.500	.173	1.250	2.922		
40	2-1/2-16		2.245	2.045					3.500	2.532	2.562	1.023	2.188	2.750		1.562	3.531		

MIL-STD-1651

THIS SPECIFICATION IS APPROVED FOR USE BY ALL DEPARTMENTS AND AGENCIES OF THE DEPARTMENT OF DEFENSE.

PREPARING ACTIVITY: NAVY-AS
CUSTODIANS: ARMY-CR NAVY-AS
AIR FORCE-85 NASA-NA
REVIEW: ARMY-MI, AV, ME, NAVY-SH, EC, AF-99
USER: ARMY-AT, NAVY-OS, MC, CG
PROJECT NUMBER: 5935-3887

MILITARY SPECIFICATION SHEET
TITLE CONNECTOR, RECEPTACLE,
ELECTRIC, WALL MOUNTING,
SOLDER CONTACTS, AN TYPE

SPECIFICATION SHEET NUMBER 20 AUG 92
MS3100 REV F
SUPERSEDING MS3100 E 31 AUG 90
AWSC- N/A FSC 5935

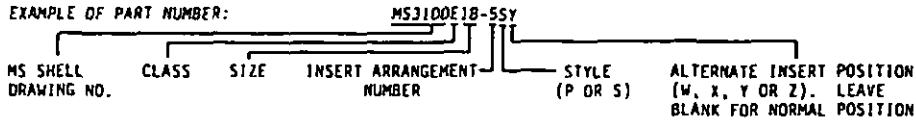
DISTRIBUTION STATEMENT A. Approved for public release; distribution is unlimited.

Page 5 of 9

NOTES:

- (F) (a) CLASS E IS CANCELLED AFTER 1 JAN 1991. USE MS3100R AS A REPLACEMENT FOR MS3100E WITHOUT SADDLE CLAMP OR MS3100F FOR CLASS E WITH SADDLE CLAMP. MANUFACTURERS MAY CONTINUE TO SUPPLY CLASS E UNTIL 1 JAN 1992 OR EXHAUST THEIR INVENTORIES, WHICHEVER COMES FIRST. FOR NEW DESIGN USE MS3450W WITH THE APPROPRIATE M85049/31 BACKSHELL. FOR SHIPBOARD JACKETED CABLES USE MS3400.
- (b) ADD .375 FOR SIZE "0" CONTACTS.
- (c) MS3100E REPLACE AND ARE INTERCHANGEABLE WITH CORRESPONDING AN3100G CONNECTORS.

EXAMPLE OF PART NUMBER:



DIMENSIONS IN INCHES. UNLESS OTHERWISE SPECIFIED, TOLERANCES: DECIMALS .016.
THIS SPECIFICATION SHEET TAKES PRECEDENCE OVER DOCUMENTS REFERENCED HEREIN.
REFERENCED DOCUMENTS SHALL BE OF THE ISSUE IN EFFECT ON DATE OF INVITATIONS FOR BID.

THE REQUIREMENTS FOR ACQUIRING THE PRODUCT(S) DESCRIBED HEREIN SHALL CONSIST OF THIS SPECIFICATION SHEET AND THE ISSUE OF THE FOLLOWING SPECIFICATION LISTED IN THAT ISSUE OF THE DODISS SPECIFIED IN THE SOLICITATION: MIL-C-5015

THIS SPECIFICATION IS APPROVED FOR USE BY ALL DEPARTMENTS AND AGENCIES OF THE DEPARTMENT OF DEFENSE.

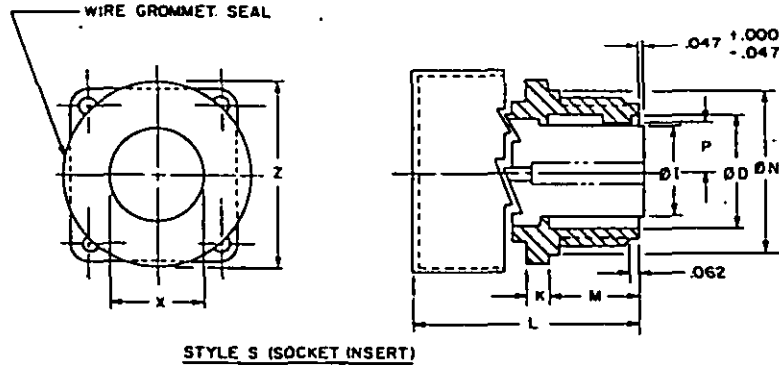
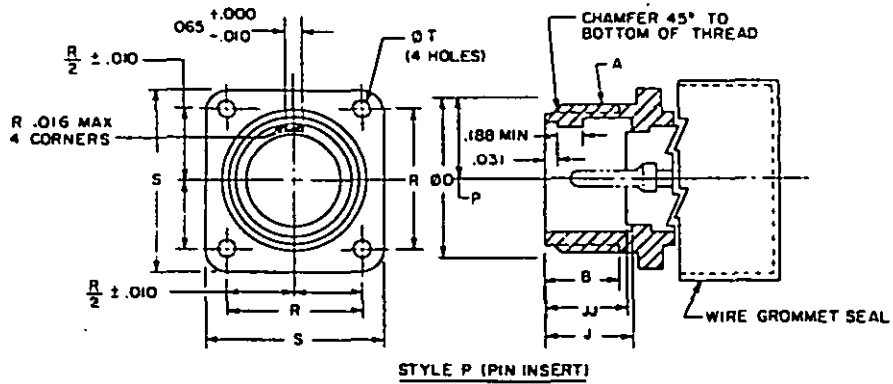
(F) DENOTES CHANGE

PREPARING ACTIVITY: NAVY-AS CUSTODIANS: ARMY-CR NAVY-AS AIR FORCE-B5 NASA-NA REVIEW: ARMY-MI, AV, ME, NAVY-SH, EC, AF-99 USER: ARMY-AT, NAVY-OS, MC, CG PROJECT NUMBER: 5935-3887	MILITARY SPECIFICATION SHEET TITLE CONNECTOR, RECEPTACLE, ELECTRIC, WALL MOUNTING, SOLDER CONTACTS, AN TYPE	SPECIFICATION SHEET NUMBER <div style="font-size: 1.5em; font-weight: bold;">MS3100</div> 20 AUG 92 REV F SUPERSEDING MS3100 E 31 AUG 90 AMSC- N/A FSC 5935
--	--	--

DISTRIBUTION STATEMENT A, Approved for public release; distribution is unlimited.

UNCLASSIFIED

THE REQUIREMENTS FOR ACQUIRING THE PRODUCT(S) DESCRIBED HEREIN SHALL CONSIST OF THIS SPECIFICATION SHEET AND THE ISSUE OF THE FOLLOWING SPECIFICATION LISTED IN THAT ISSUE OF THE DODISS SPECIFIED IN THE SOLICITATION: MIL-C-5015



CLASS R - ENVIRONMENT RESISTANT

SIZE	A COUPLING THREAD	B MIN USABLE THREAD	D +.015 -.000 Ø INSIDE	Ø I MAX INSERT	J +.031 -.000 INT SHELL SHLDN	J +.031 INSERT LOCA- TION	K THICKNESS MOUNTING FLANGE MAX MIN	L (A) MAX OVER- ALL LENGTH	R +.031 -.000 MTG FLANGE LOCATION	R MAX Ø OUTSIDE	Ø O (Ø I) MOUNT- ING HOLE	P +.015 -.000 KEY HEIGHT	R +.005 EL-CL MTG HOLES	S +.031 LENGTH SIDE	Ø T +.010 -.005 MTG HOLES	Z MIN CABLE CLEAR- ANCE	Z MAX ACROSS SEAL ASSY	FOR INSERT ARRANGE- MENT SEE
85	1/2-28		.370	.250						.532	.562	.130	.594	.875		.172	1.046	
105				.320	.562	.484		1.838	.562					1.000				
105L	5/8-24	.375	.448									.165	.719					
125																		
12	3/4-20	.625	.557	.448	.750	.672	.156 .076	2.181	.750	.782	.812	.224	.812	1.094		.281	1.125	MIL-STD-165
145	7/8-20	.375	.682	.525	.562	.484		1.838	.562	.906	.938	.263	.906	1.188	.120	.406	1.343	
14					.750	.672		2.181	.750									
165		.375			.562	.484		1.838	.562									
16	1 -20		.807	.650				2.181		1.032	1.062	.325	.969	1.281		.500	1.484	
18	1-1/8-18		.932	.770					.750	1.156	1.188	.385	1.062	1.375		.531	1.609	
20	1-1/4-18		1.058	.925						1.282	1.312	.463	1.156	1.500		.656	1.890	
22	1-3/8-18		1.182	1.020	.750	.672	.203 .094	2.281		1.406	1.438	.510	1.250	1.625		.750		
24	1-1/2-15	.625	1.307	1.145					.812	1.532	1.562	.573	1.375	1.750	.147	.781	2.170	
28	1-3/4-19		1.526	1.365						1.782	1.812	.683	1.562	2.000		.922		
32	2 -18		1.776	1.615						2.032	2.062	.808	1.750	2.250		1.156	2.656	
36	2-1/4-16		1.995	1.930			.359 .175	2.322	.875	2.282	2.312	.915	1.938	2.500	.173	1.250	2.922	
40	2-1/2-16		2.245	2.045						2.532	2.562	1.023	2.188	2.750		1.562	3.328	

THIS SPECIFICATION IS APPROVED FOR USE BY ALL DEPARTMENTS AND AGENCIES OF THE DEPARTMENT OF DEFENSE.

PREPARING ACTIVITY: NAVY-AS
CUSTODIANS: ARMY-CR NAVY-AS
AIR FORCE-85 NASA-NA
REVIEW: ARMY-MI, AV, ME, NAVY-SH, EC, AF-99
USER: ARMY-AT, NAVY-OS, MC, CG
PROJECT NUMBER: 5935-3887

MILITARY SPECIFICATION SHEET
TITLE CONNECTOR, RECEPTACLE,
ELECTRIC, WALL MOUNTING,
SOLDER CONTACTS, AN TYPE

SPECIFICATION SHEET NUMBER
MS3100 20 AUG 92
REV F
SUPERSEDING
MS3100 E 31 AUG 90
AMSC- N/A FSC 5935

DISTRIBUTION STATEMENT A. Approved for public release; distribution is unlimited.

Page 7 of 9

THE REQUIREMENTS FOR ACQUIRING THE PRODUCT(S) DESCRIBED HEREIN SHALL CONSIST OF THIS SPECIFICATION SHEET AND THE ISSUE OF THE FOLLOWING SPECIFICATION LISTED IN THAT ISSUE OF THE DODISS SPECIFIED IN THE SOLICITATION: MIL-C-5015

- NOTES:
- (a) CLASS R IS INACTIVE FOR NEW DESIGN AFTER 1 JAN 1991. FOR NEW DESIGN USE MS3450W WITH APPROPRIATE M85049/31 BACKSHELL. FOR SHIPBOARD JACKETED CABLES USE MS3400.
 - (b) ADD .375 FOR SIZE "0" CONTACTS.
 - (c) MS3100R CONNECTORS REPLACE AND ARE INTERCHANGEABLE WITH CORRESPONDING MS3100C AND AN3100E CONNECTORS WITH SADDLE TYPE CABLE CLAMP.

EXAMPLE OF PART NUMBER: MS3100R18-55Y

MS SHELL DRAWING NO.	CLASS	SIZE	INSERT ARRANGEMENT NUMBER	STYLE (P OR S)	ALTERNATE INSERT POSITION (W, X, Y OR Z). LEAVE BLANK FOR NORMAL POSITION
-------------------------	-------	------	------------------------------	-------------------	---

DIMENSIONS IN INCHES. UNLESS OTHERWISE SPECIFIED, TOLERANCES: DECIMALS ±.016.
THIS SPECIFICATION SHEET TAKES PRECEDENCE OVER DOCUMENTS REFERENCED HEREIN.
REFERENCED DOCUMENTS SHALL BE OF THE ISSUE IN EFFECT ON DATE OF INVITATIONS FOR BID.

(F) DENOTES CHANGE

PREPARING ACTIVITY: NAVY-AS
CUSTODIANS: ARMY-CR NAVY-AS
AIR FORCE-85 NASA-NA
REVIEW: ARMY-MI, AV, ME, NAVY-SH, EC, AF-99
USER: ARMY-AT, NAVY-OS, MC, CG
PROJECT NUMBER: 5935-3887

MILITARY SPECIFICATION SHEET
TITLE CONNECTOR, RECEPTACLE,
ELECTRIC, WALL MOUNTING,
SOLDER CONTACTS, AN TYPE

SPECIFICATION SHEET NUMBER 20 AUG 92
MS3100 REV F
SUPERSEDING 31 AUG 90
MS3100 E
ANSC- N/A FSC 5935

DISTRIBUTION STATEMENT A, Approved for public release; distribution is unlimited.

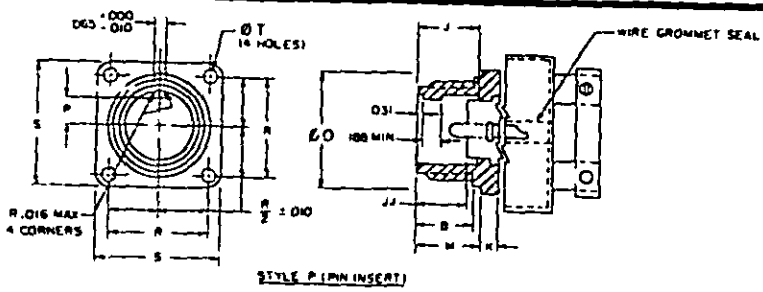
Page 8 of 9

THIS SPECIFICATION IS APPROVED FOR USE BY ALL DEPARTMENTS AND AGENCIES OF THE DEPARTMENT OF DEFENSE.

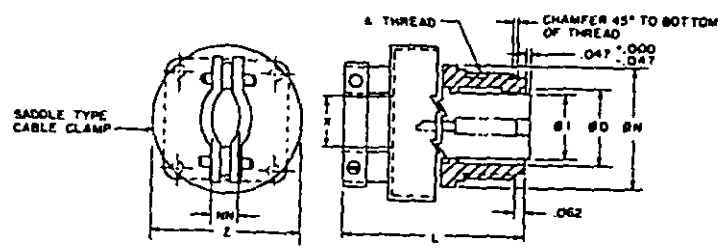
6-82000 07-111 07-00000-1000

Form Approved
OMB No. 0704-0188

THE REQUIREMENTS FOR ACQUIRING THE PRODUCT(S) DESCRIBED HEREIN SHALL CONSIST OF THIS SPECIFICATION SHEET AND THE ISSUE OF THE FOLLOWING SPECIFICATION LISTED IN THAT ISSUE OF THE DODDS SPECIFIED IN THE SOLICITATION: MIL - C - 5015



STYLE P (PIN INSERT)



STYLE S (SOCKET INSERT)

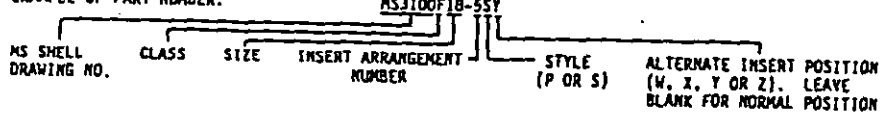
CLASS F - ENVIRONMENT RESISTANT

SIZE	A COUPLING THREAD	B MIN USABLE THREAD	D +.015 -.000 Ø INSIDE	Ø1 MAX INSERT	J +.031 -.000 INT SHELL SHLDR	JJ +.031 -.000 INT LOC- TION	K THICKNESS MOUNTING FLANGE	L (b) MAX OVER- ALL LENGTH	M +.031 -.000 MTS FLANGE LOCATION	N MAX Ø OUTSIDE	ØD (P or S) MOUNT- ING HOLE	P +.015 -.000 KEY HEIGHT	R +.005 Ø MTG HOLES	S +.031 Ø LENGTH SIDE	ØR MAX CLOSED	Z MIN CABLE CLEAR- ANCE	Z MAX ACROSS CLAMP	ØT +.010 -.005 MTG HOLES	FOR INSERT ARRANGE- MENT SEE
85	1/2-28		.370	.250						.532	.562	.130	.594	.075					
105	5/8-24			.320						.656	.688	.165	.718	1.000		.172	1.046		
105L		.375	.448	.448	.562	.484		2.250	.562						.200				
125	3/4-20		.557							.782	.812	.224	.812	1.094		.281	1.125		
12		.625			.750	.672	.756	.078	2.625	.750									
145		.375			.562	.484			2.250	.562									
14	7/8-20	.625	.682	.525	.750	.672			2.625	.750	.906	.938	.263	.906	1.188	.312	.406	1.343	.120
165		.375			.562	.484			2.250	.562									
16	1-20		.807	.650					2.625		1.032	1.062	.325	.969	1.281	.360	.500	1.484	
18	1-1/8-18		.932	.770					2.688	.750	1.156	1.188	.385	1.062	1.375	.422	.531	1.609	
20	1-1/4-18		1.058	.925							1.282	1.312	.463	1.156	1.500		.656		
22	1-3/8-18	.625	1.182	1.020			.203	.094	2.750		1.406	1.438	.510	1.250	1.625	.531	.740	1.890	
24	1-7/2-18		1.307	1.145	.750	.672			2.969		1.532	1.562	.573	1.375	1.750		.781		.147
28	1-3/4-18		1.526	1.365			.359	.125	3.031	.812	1.782	1.812	.643	1.562	2.000	.594	.922	2.170	
32	2-18		1.776	1.615						.875	2.032	2.062	.808	1.750	2.250		1.156	2.656	
36	2-1/4-16		1.995	1.830					3.281		2.282	2.312	.915	1.938	2.500	.780	1.250	2.922	.173
40	2-1/2-16		2.245	2.045					3.500		2.532	2.562	1.023	2.188	2.750	1.100	1.562	3.531	

NOTES:

- (a) CLASS F IS INACTIVE FOR NEW DESIGN AFTER 1 JAN 1991. FOR NEW DESIGN USE MS3450W WITH APPROPRIATE MS5049/52. FOR SHIPBOARD JACKETED CABLES USE MS3400.
- (b) ADD .375 FOR SIZE "0" CONTACTS.
- (c) MS3100F CONNECTORS REPLACE AND ARE INTERCHANGEABLE WITH CORRESPONDING MS3100E AND AN3100E CONNECTORS WITH SADDLE TYPE CABLE CLAMP.

EXAMPLE OF PART NUMBER: MS3100F18-55Y



DIMENSIONS IN INCHES. UNLESS OTHERWISE SPECIFIED, TOLERANCES: DECIMALS ±.016. THIS SPECIFICATION SHEET TAKES PRECEDENCE OVER DOCUMENTS REFERENCED HEREIN. REFERENCED DOCUMENTS SHALL BE OF THE ISSUE IN EFFECT ON DATE OF INVITATIONS FOR BID.

PREPARING ACTVITY: NAVY-AS CUSTODIANS: ARMY-CR NAVY-AS AIR FORCE-85 NASA-NA	MILITARY SPECIFICATION SHEET TITLE CONNECTOR, RECEPTACLE, ELECTRIC, WALL MOUNTING, SOLDER CONTACTS, AN TYPE	SPECIFICATION SHEET NUMBER MS3100 20 AUG 92 REV F SUPERSEDING MS3100 E 31 AUG 90 AMSC- N/A FSC 5935
---	--	---

THIS SPECIFICATION IS APPROVED FOR USE BY ALL DEPARTMENTS AND AGENCIES OF THE DEPARTMENT OF DEFENSE.

UNLESS STATE OTHERWISE