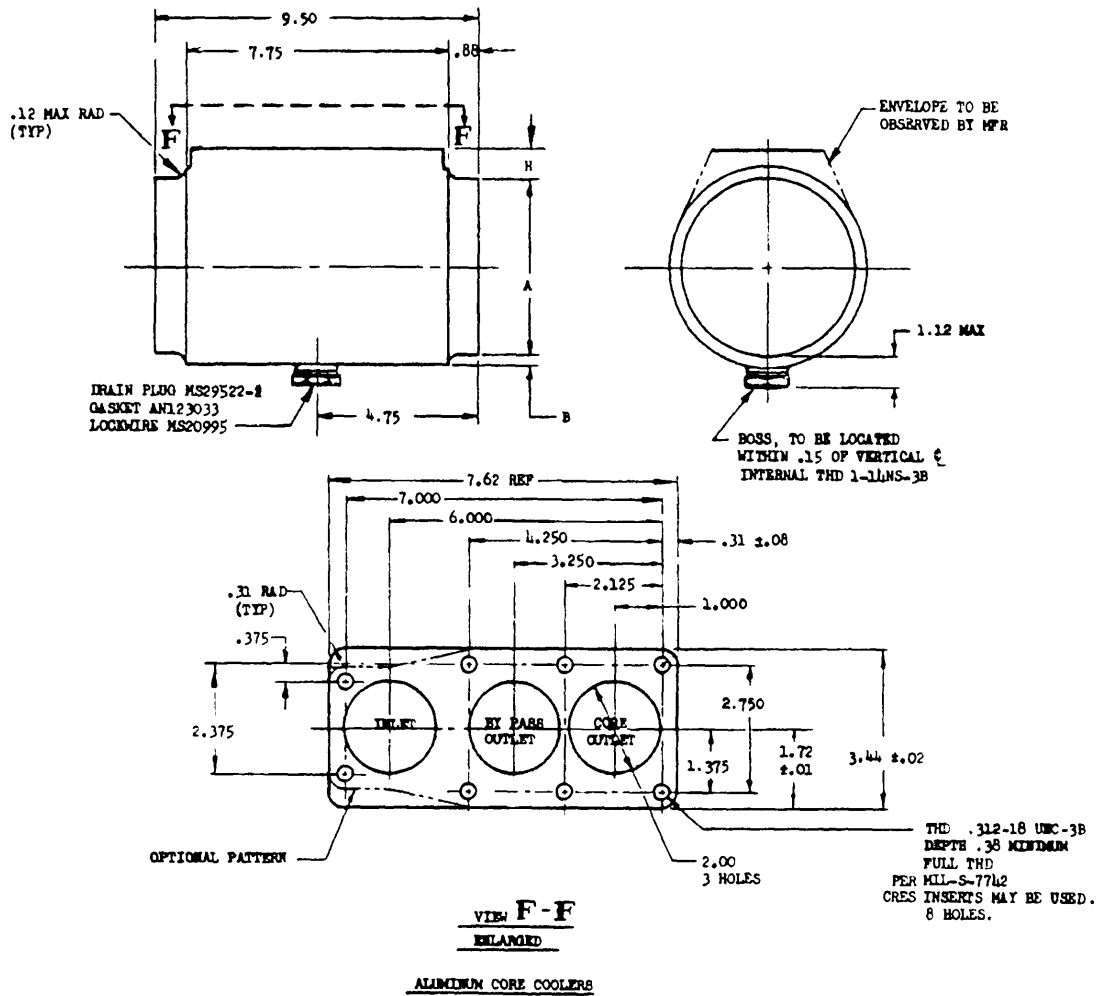


FED. SUP CLASS
2935



ALUMINUM CORE COOLERS

MS PART NO.	WT MAX LB	FRONTAL CORE AREA	A DIA	B	H	MS PART NO.	WT MAX LB	FRONTAL CORE AREA	A DIA	B	H
MS29590 -5	9.0	19.6	5.00	.38	.75	MS29590 -15	31.5	176.7	15.00	.63	1.00
MS29590 -6	10.0	28.3	6.00	.38	.75	MS29590 -16	35.0	201.1	16.00	.63	1.00
MS29590 -7	11.0	38.5	7.00	.38	.75	MS29590 -17	38.5	227.0	17.00	.63	1.00
MS29590 -8	11.0	50.3	8.00	.38	.75	MS29590 -18	43.0	254.5	18.00	.63	1.00
MS29590 -9	15.0	63.6	9.00	.38	.75	MS29590 -19	47.5	283.5	19.00	.75	1.25
MS29590 -10	17.0	78.5	10.00	.38	.75	MS29590 -20	52.0	314.2	20.00	.75	1.25
MS29590 -11	19.0	95.0	11.00	.38	.75	MS29590 -21	56.5	346.4	21.00	.75	1.25
MS29590 -12	22.0	113.1	12.00	.38	.75	MS29590 -22	61.0	380.1	22.00	.75	1.25
MS29590 -13	25.0	132.7	13.00	.38	.75						
MS29590 -14	28.0	153.9	14.00	.63	1.00						

INTERCHANGEABILITY RELATIONSHIP - MS29590 PARTS AND AN125 PARTS OF THE SAME DASH NUMBER ARE UNIVERSALLY INTERCHANGEABLE. THE CANCELLED AN125 PARTS SHOULD BE USED UNTIL EXISTING STOCK IS EXHAUSTED.

DIMENSIONS IN INCHES. UNLESS OTHERWISE SPECIFIED, TOLERANCES: TWO PLACE DECIMALS ±.06, THREE PLACE DECIMALS ±.005.

FOR DESIGN FEATURE PURPOSES, THIS STANDARD TAKES PRECEDENCE OVER PROCUREMENT DOCUMENTS REFERENCED HEREIN. REFERENCED DOCUMENTS SHALL BE OF THE ISSUE IN EFFECT ON DATE OF INVITATIONS FOR BID.

P.A. AIRFORCE - 71 (A)	TITLE	MILITARY STANDARD
Other Cust USAF - 99	COOLER - LUBRICATING OIL, AIRCRAFT ENGINE, PETROLEUM BASE, TUBULAR, ROUND	MS29590 (71)
PROCUREMENT SPECIFICATION MIL-C-5637	SUPERSEDES AN125	SHEET 1 OF 1

DD FORM 1 SEP 57 672-1 (Coordinated)

PREVIOUS EDITIONS OF THIS FORM ARE OBSOLETE.

2935 - F024

APPROVED 16 DEC 64 REVISED (A) 1 October 1988

DISTRIBUTION STATEMENT A. Approved for public release; distribution is unlimited. AMSC N/A THIS MILITARY STANDARD IS APPROVED FOR USE WITHIN THE DEPARTMENT OF THE AIR FORCE AND IS AVAILABLE FOR USE BY ALL DEPARTMENTS AND AGENCIES OF THE DEPARTMENT OF DEFENSE.

NOTES TO PRINTER: REDUCE BORDER TO 6-27/32=9-3/4 PRINT LEFT BORDER LINE ONE INCH FROM LEFT EDGE OF 8-10-1/2 SHEET. PRINT BOTTOM BORDER LINE 3/8 INCH FROM BOTTOM EDGE OF 8-10-1/2 SHEET. SIGNATURE FORM NOT TO BE INCLUDED ON 8-10-1/2 SHEET.

DRAWN BY TECH STD'S OFFICE 23 MAY 60
 TYPED BY George A. BOWEN AND BARNES
 CHECKED BY _____

630
DATE D916