

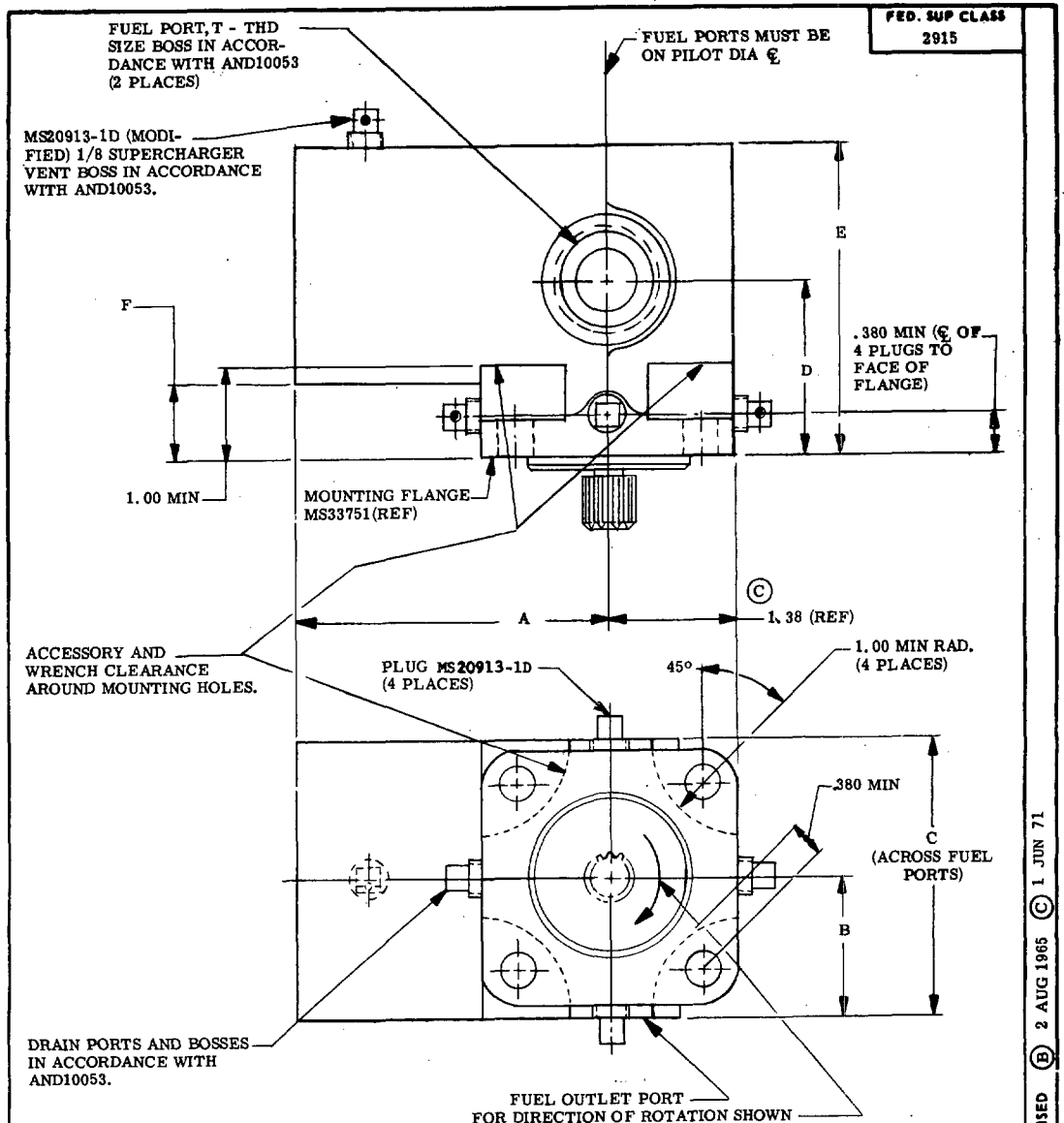
USER SYMBOLS

REVIEWER SYMBOLS:

ARMY - AV
USAF - 82
NAVY - AS

"Review/user information is current as of the date of this document. For future coordination of changes to this document, draft circulation should be based on the information in the current DD135."

This military standard is mandatory for use by all Departments B. Agencies of the Department of Defense. Selection for all new engineering and design applications and for repetitive use shall be made from this document.



NOTES:

1. DIMENSIONS IN INCHES. UNLESS OTHERWISE SPECIFIED, TOLERANCES: TWO PLACE DECIMALS $\pm .02$, ANGLES $\pm 0^{\circ}30'$.
2. REMOVE ALL BURRS AND BREAK ALL SHARP EDGES.
3. ROTATION: COUNTERCLOCKWISE AS VIEWED FROM OPPOSITE THE DRIVE END.
4. THREADS IN ACCORDANCE WITH HANDBOOK H28. (C)

REQUIREMENTS

1. THE PUMP SHALL OPERATE SATISFACTORILY WITH OIL LEAKAGE OF 0 CC TO 2 CC PER HOUR FROM THE ENGINE ACCESSORY DRIVE.
2. NORMAL RATED SPEED SHALL BE 2500 RPM.

FOR DESIGN FEATURE PURPOSES, THIS STANDARD TAKES PRECEDENCE OVER PROCUREMENT DOCUMENTS REFERENCED HEREIN. REFERENCED DOCUMENTS SHALL BE OF THE ISSUE IN EFFECT ON DATE OF INVITATIONS FOR BID.

(C) REVISED

P.A. NAVY - AS	TITLE	MILITARY STANDARD
Other Cust ARMY - AV USAF - 82	PUMP, ROTARY, POWER DRIVEN, FUEL, AIRCRAFT (TAPER THREADED PORTS)	MS 29584 THRU 29587
PROCUREMENT SPECIFICATION MIL-P-25030	SUPERSEDES: SEE TABLE I	SHEET 1 OF 2

DD FORM 1 SEP 57 672-1 (Coordinated)

PREVIOUS EDITIONS OF THIS FORM ARE OBSOLETE.

PLATE NO. 15320

APPROVED 22 JAN 1962 REVISED (B) 2 AUG 1965 (C) 1 JUN 71

REVIEWER SYMBOLS:
 ARMY - AV
 USAF - 82
 NAVY - AS

*Review/user information is current as of the date of this document.
 For future coordination of changes to this document, draft circulation
 should be noted on the information in the current 00155.

This military standard is mandatory for use by all Departments
 & Agencies of the Department of Defense. Selection for all new
 engineering and design applications and for repetitive use shall
 be made from this document.

USGR SYMBOLS:

DD FORM 1 SEP 57 672-1 (Coordinated)

PREVIOUS EDITIONS OF THIS FORM ARE OBSOLETE.

PLATE NO. 15320

FED. SUP CLASS
 2915

TABLE I

DASH NO.	PUMP SIZE	A (MAX)	B	C	D	E (MAX)	F (MIN)	T-THD	WGT (MAX LB)	PRESS, ADJ, RANGE	SUPERSEDES
MS29584-1	100 GPH	4.75	1.36	2.72 ±.03	1.90	3.35	.750	1/2 NPTF	2.1	3 - 20 PSI	
MS29585-1	200 GPH	3.62	1.44	2.88 ±.03	2.00	3.50	.750	3/4 NPTF	3.0	3 - 20 PSI	AN4100
MS29585-2											
MS29586-1	400 GPH	4.12	1.62	3.25 ±.03	2.19	3.75	.750	3/4 NPTF	4.0	5 - 25 PSI	AN4101
MS29587-1	700 GPH	4.50	1.81 ±.06	3.62 ±.12	2.31	4.12	.750	1 NPTF	5.0	5 - 30 PSI	AN4102

P.A. NAVY - AS Other Cust ARMY - AV USAF - 82	TITLE PUMP, ROTARY POWER DRIVEN, FUEL, AIRCRAFT (TAPER THREADED PORTS)	MILITARY STANDARD MS 29584 THRU 29587
PROCUREMENT SPECIFICATION MIL-P-25030	SUPERSEDES: SEE TABLE I	SHEET 2

APPROVED 2 AUG 1965 REVISED (C) FOR CHANGES SEE SHT 1