

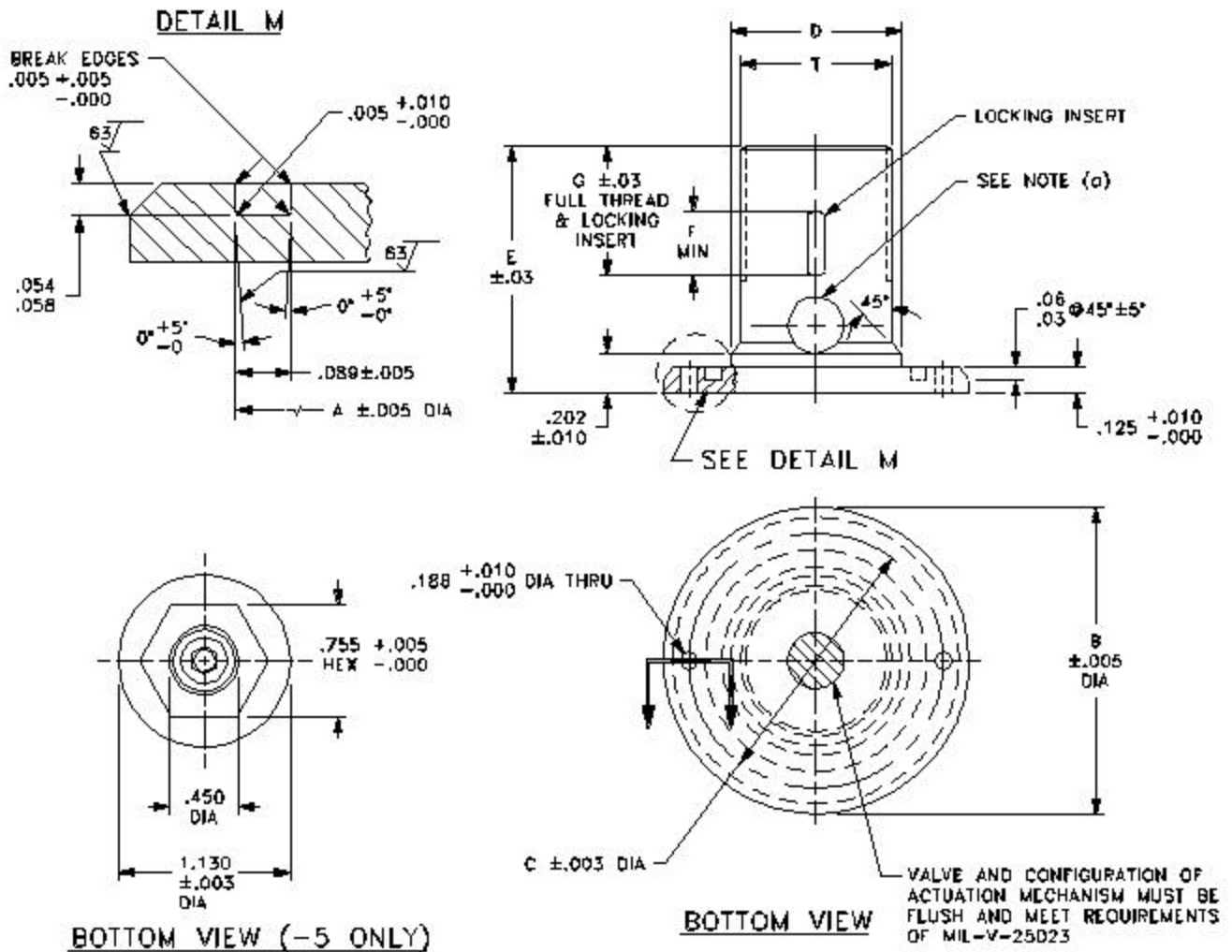
INCH-POUND  
 MS29571D (USAF)  
 9 January 1999  
 SUPERSEDES  
 MS29571C  
 16 SEPT 1971

DETAIL SPECIFICATION SHEET

COCK, POPPET DRAIN

This specification is approved for use by the OC-ALC/TICLA, Department of the Air Force, and is available for use by all Departments and Agencies of the Department of Defense.

The requirements for acquiring the product described herein shall consist of this specification and the issue of procurement specification MIL-V-25023 listed in that issue of the Department of Defense Index of Specifications and Standards (DoDISS) specified in the solicitation.



AMSC N/A

FSC 4820

## MS29571

TABLE I. Tolerance

DASH NO.	T (b)	A (c)	B (c)	C (c)	D $\pm .005$	E	F	G
MS 29571-1	.7500-16UNJF-3A	1.061	1.562	1.281	.798	1.23	.38	.70
MS 29571-2	1.0625-12UNJF-3A	1.374	1.874	1.593	1.110	1.96	.60	1.20
MS 29571-3	1.3125-12UNJF-3A	1.624	2.124	1.843	1.360	2.27	.60	1.30
MS 29571-4	1.6250-12UNJF-3A	1.874	2.375	2.093	(b)	2.27	.60	1.30
MS 29571-5	.875-14UNJF-3A	N/A	1.130	N/A	N/A	.927	.33	.48

## NOTE

(a) Configuration and number of inlet ports in valve optional except that the valve shall meet the requirements of MIL-V-25023 when tank mounted using max (.500) and min (.188) tank wall thickness.

(b) Dimension T controls screw thread dimension per MIL-S-8879.

(c) Diameters are to be concentric within .005 total indicator reading.

## REQUIREMENTS

Material: See procurement specification -- MIL-V-25023.

Surface texture: Texture is per ANSI B46.1 – 1995

Burrs and edges: Remove burrs and break sharp edges.

Holes: Chamfer all holes.

Dimensions: dimensions in inches unless otherwise specified.

Custodians:  
Air Force – 99

Preparing Activity:  
Air Force - 71

(Project No. 2915-F157)