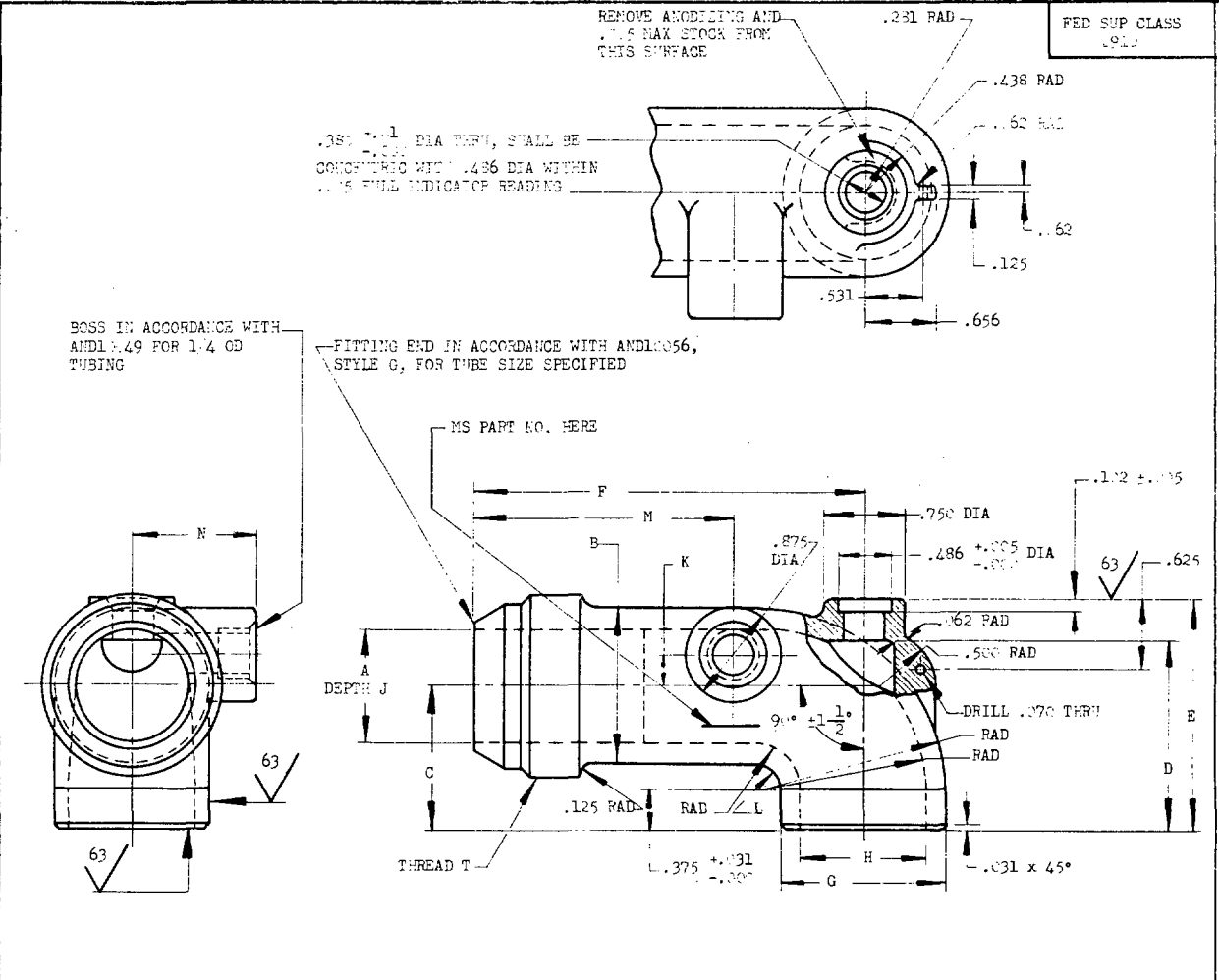


NOTICE: When Government drawings, specifications, or other data are used for any purpose other than in connection with a definitely related Government procurement operation, the United States Government thereby incurs no responsibility, nor any obligation whatsoever, and the fact that the Government may have furnished, furnished, or in any way supplied the said drawings, specifications, or other data is not to be regarded by implication or otherwise as in any manner licensing the holder or any other person or corporation, or conveying any rights or permission to manufacture, use, or sell any patented invention that may in any way be related thereto.



MS PART NO. PORT SIZE AND TUBE SIZE	TUBING OD REF	THREAD T REF	A ±.003 DIA REF	B DIA	C ±.062	D	E	F ±.062	G ±.003 DIA	H DIA	J	K ±.003 DIA	L RAD	M ±.062	N	FIN
(a) -1																
MS29538-2-16	1	1-5/16-12 UN-3A	1.844	1.188	1.219	1.594	1.969					.156	.138			1.062
MS29538-2-20	1-1/4	1-5/8 -12 N-3A	1.073	1.438	1.562	1.969	2.344					.281				1.125
MS29538-2-24	1-1/2	1-7/8 -12 N-3A	1.312	1.688	1.906	2.344	2.719	3.562	1.495	1.188		.406				1.250
MS29538-2-32	2	2-1/2 -12 UN-3A	1.781	2.188	2.172	2.594	2.969					.656				1.375
MS29538-3-24	1-1/2	1-7/8 -12 N-3A	1.312	1.688	1.906	2.344	2.719		1.870	1.547	1.500	.406	.25	2.375		1.250
MS29538-3-32	2	2-1/2 -12 UN-3A	1.781	2.188	2.172	2.594	2.969					.656				1.375
MS29538-4-40	2-1/2	3 -12 UN-3A	2.281	2.688	2.328	2.976	3.281	3.688	2.245	1.875		.781				1.375
MS29538-4-48	3	3-1/2 -12 UN-3A	2.781	3.188	2.594	3.188	3.562	4.281				1.062				1.656

(a) NO MS STANDARD DRAWING ON THIS SIZE, FOR FITTINGS IN THIS SIZE SEE USAF DWG. NO. 50C9388.
 MATERIAL: ALUMINUM ALLOY, SPEC QQ-A-596, COMP NO. 8.
 FINISH: RED ANODIC FILM, SPEC MIL-A-8625.
 FOR SURFACE ROUGHNESS SEE STANDARD MIL-STD-10.
 REMOVE ALL BURRS AND SHARP EDGES.
 DIMENSIONS IN INCHES. UNLESS OTHERWISE SPECIFIED, TOLERANCES: CASTINGS ±.031, DECIMALS ±.010, ANGLES 40°30'.

CUSTODIANS Navy - BuAer Air Force	OTHER INT. A - N - AF -	MILITARY STANDARD		MS29538 (ASG)
		FITTING, FLARED TUBE, LOW PRESSURE, 90° EXTERNAL OUTLET, BOOSTER PUMP		
PROCUREMENT SPECIFICATION NONE		SUPERSEDES: USAF DRAWING 47B11591 AND 48B9973		SHEET 1 OF 1

APPROVED 22 Jun 54 REVISED