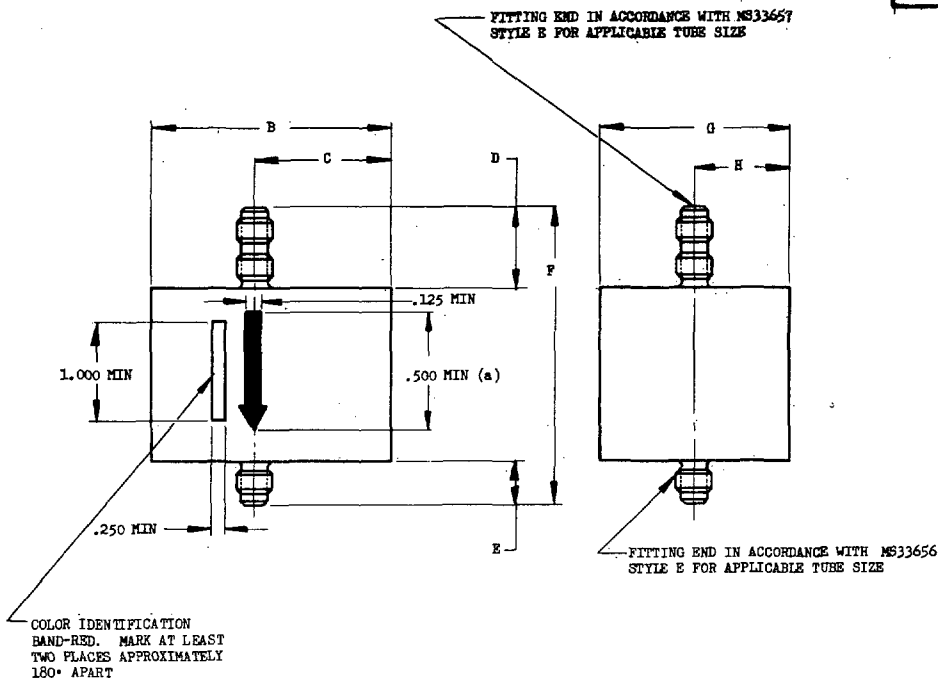


VALVE BODY DRAWING  
2953



User activities:  
USAF - 11  
Army - AV  
Navy - AS

Review activities:  
USAF - 11  
Army - AV  
Navy - AS

DASH NO.	MAX WEIGHT LB	TUBING OD	A REF	B MAX	C MAX	D REF	E REF	F + .000 - .050	G MAX	H MAX
-4	.23	.250	1.156	1.812	1.312	1.016	.550	2.750		
-6	.25	.375				1.093	.556	2.937	1.125	.562
-8	.27	.500	1.250	1.875	1.375	1.250	.657	3.187		
-12	.55	.750	1.808	2.575	(D)	1.562	.864	4.234	(D) 1.510	(D) .755
-16	.75	1.000	2.000	(D) 2.700	(D) 1.825		.911	(D) 4.077	(D) 1.750	(D) .875
-20	1.00	1.250	2.433	(D) 3.200		1.609	.958	5.000	2.750	1.375
-24	1.16	1.500	2.448			1.625	1.083	5.156		

(a) BOTH SIDES OF VALVE BODY SHALL BE MARKED WITH AN ARROW INDICATING DIRECTION OF FLOW. THE ARROWS SHALL BE CAST, ENGRAVED, OR PERMANENTLY METAL STAMPED ON VALVE BODY.

MATERIAL: SEE PROCUREMENT SPECIFICATION.  
FINISH: SEE PROCUREMENT SPECIFICATION.  
REMOVE ALL BURRS AND SHARP EDGES.

DIMENSIONS IN INCHES.

DESIGNED FOR USE WITH HYDROCARBON FUEL AT AN OPERATING PRESSURE NOT EXCEEDING 60 PSI.  
PROVISIONS SHALL BE MADE FOR LOCKWIRING TO MOUNTING BOSS.  
FOR INSTALLATION, CLEARANCE SHALL BE ALLOWED FOR THE MAXIMUM OVERALL DIMENSIONS SHOWN ON THIS STANDARD.

FOR DESIGN FEATURE PURPOSES, THIS STANDARD TAKES PRECEDENCE OVER PROCUREMENT DOCUMENTS REFERENCED HEREIN.  
REFERENCED DOCUMENTS SHALL BE OF THE ISSUE IN EFFECT ON DATE OF INVITATIONS FOR BID.

This military standard is approved by the Department of Defense and is mandatory on all activities. Sections for all new engineering and design applications and for repetitive use shall be made from this document.

P.A. USAF - 11 Other Cust Army - AV Navy - AS	TITLE  VALVE - FUEL DRAIN, SELF-LOCKING, LINE MOUNTED	MILITARY STANDARD <b>MS29530</b>
PROCUREMENT SPECIFICATION MIL-Y-25023	SUPERSEDES: USAF DRAWING 49P9796-61, -62, AND -63	SHEET 1 OF 1

DD FORM 1 SEP 57 672-1 (Coordinated)

PREVIOUS EDITIONS OF THIS FORM ARE OBSOLETE.

Proj. 2913-0044

☆ U. S. GOVERNMENT PRINTING OFFICE: 1963-34-1519/A-4176

APPROVED 7 Sep 57. REVISED A 20 Feb 62 B 2 Dec 61 C 16 Sep 66 D 19 Mar 69