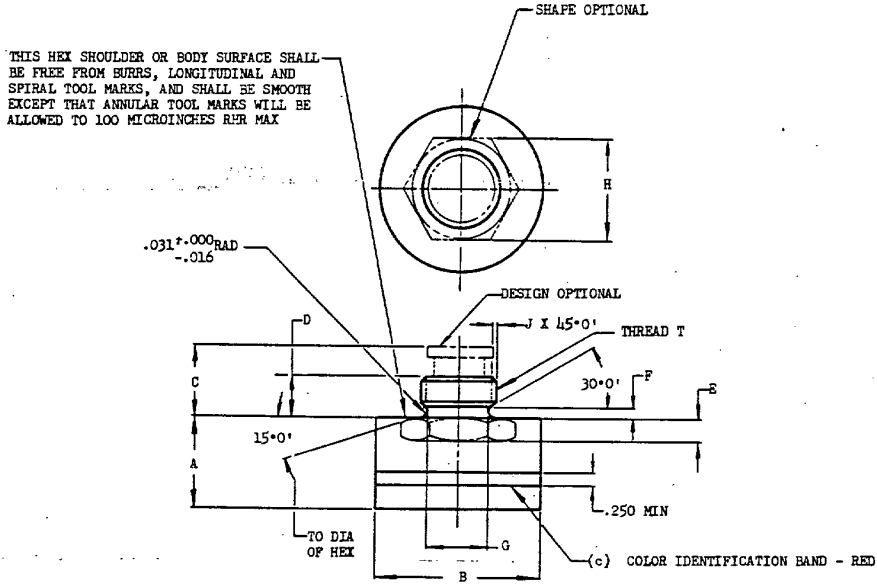


FED. SUP CLASS  
2915

NOTICE—When Government drawings, specifications, or other data are used for any purpose other than in connection with a definitely related Government procurement operation, the United States Government thereby incurs no responsibility, nor any obligation whatsoever; and the fact that the Government may have formulated, furnished, or in any way supplied the said drawings, specifications, or other data is not to be regarded by implication or otherwise as in any manner licensing the holder or any other person or corporation, or conveying any rights or permission to manufacture, use, or sell any patented invention that may in any way be related thereto.



DASH NO.	MAX WEIGHT LB	THREAD T	(a) A MAX	(a) B MAX DIA	C MAX	D	(b) E MIN	F +.015 - .000	G +.002 - .003 DIA	H +.003 - .006	J
-4	.078	7/16-20 UNF-3A	.750	1.094	.594	.359	.188	.075	.364	.688	.031
-6	.094	9/16-18 UNF-3A		1.406				.083	.482	.812	.035
-8	.156	3/4 -16 UNF-3A	1.000	1.656	.719	.406	.250	.094	.660	1.000	.040

- (a) DIMENSIONS A, B, AND C ARE APPLICABLE TO ANY POSITION OF INSTALLATION OR TO EITHER FULL OPEN OR FULL CLOSED POSITION OF THE VALVE.
- (b) DIMENSION E IS APPLICABLE TO HEX OR OTHER WRENCHING PROVISIONS.
- (c) THE LOCATION OF THE COLOR IDENTIFICATION BAND WILL DEPEND ON THE CONSTRUCTION OF THE VALVE, BUT MUST BE PLAINLY VISIBLE AND NOT SUBJECT TO WEAR BY TOOLS OR OPERATION. THE BAND SHALL BE MADE AS LARGE AS PRACTICABLE.

MATERIAL: SEE PROCUREMENT SPECIFICATION.  
FINISH: SEE PROCUREMENT SPECIFICATION.  
REMOVE ALL BURRS AND SHARP EDGES.

DIMENSIONS IN INCHES. UNLESS OTHERWISE SPECIFIED, TOLERANCES: DECIMALS ±.010, ANGLES ±0°30'.

DESIGNED FOR USE WITH HYDROCARBON FUEL AT AN OPERATING PRESSURE NOT EXCEEDING 60 PSI.  
PROVISIONS SHALL BE MADE FOR LOCKWIRING TO MOUNTING BOSS.  
FOR INSTALLATION, CLEARANCE SHALL BE ALLOWED FOR THE MAXIMUM OVERALL DIMENSIONS SHOWN ON THIS STANDARD.

This military standard is approved by the Department of Defense and is mandatory on all activities. Selection for all new engineering and design applications and for repetitive use shall be made from this document.

P.A. USAF - ARSC Other Cust Army - TC Navy - Wep	TITLE  VALVE - FUEL DRAIN, SELF-LOCKING, POPPET	MILITARY STANDARD  MS29528
PROCUREMENT SPECIFICATION MIL-V-25023	SUPERSEDES: USAF DRAWING L9F9798-52 THRU -54	SHEET 1 OF 1

APPROVED 7 Sep 54  
REVISED 1 20 Feb 62