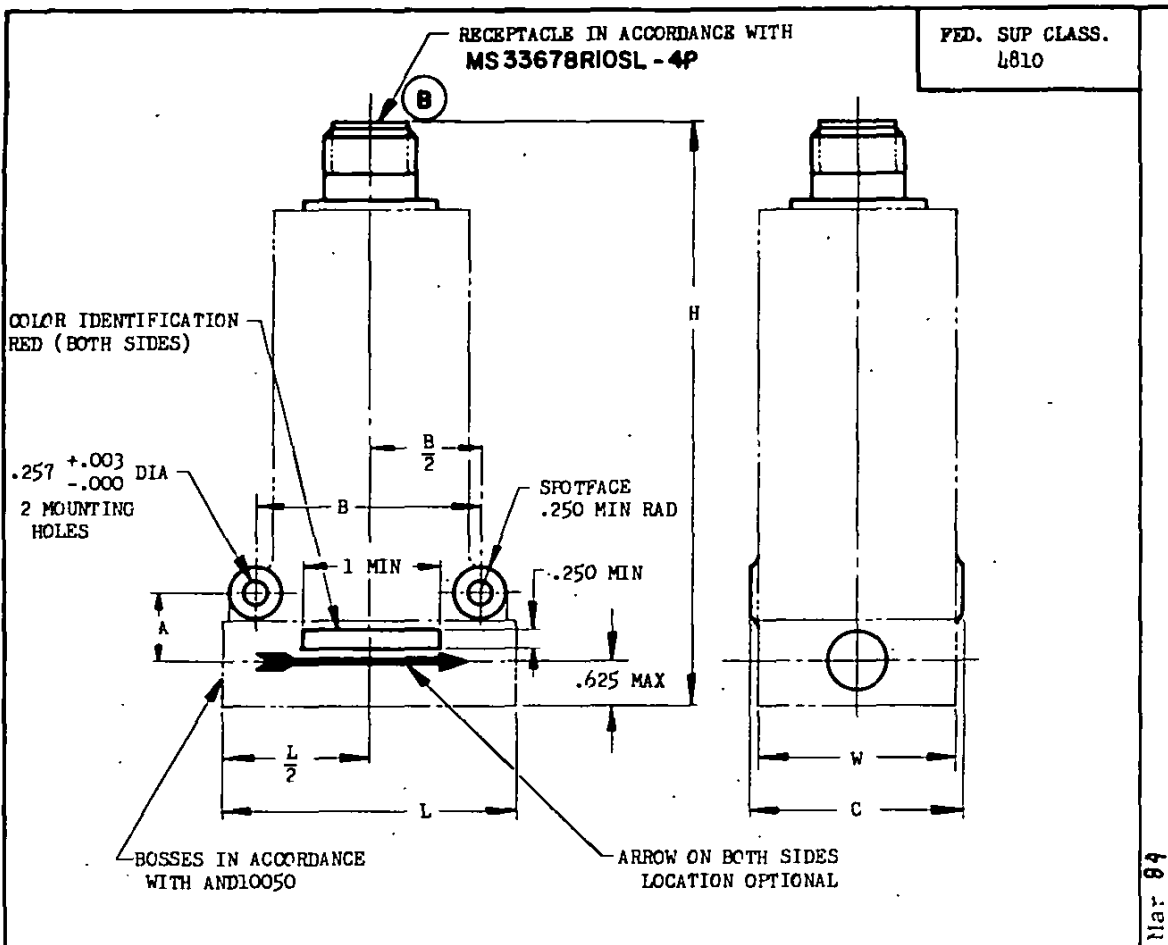


NOTICE: This Government drawing, specification, or other data are used for any purpose other than in connection with a definitely related Government procurement operation, the United States Government thereby incurs no responsibility. It is the policy of the United States Government to disseminate its drawings, specifications, or other data, in any way suggested by the recipient, provided that the Government may have furnished, furnished, or in any way suggested the said drawings, specifications, or other data, in any way suggested by the recipient, provided that the Government may have furnished, furnished, or in any way suggested the said drawings, specifications, or other data, in any way suggested by the recipient, provided that the Government may have furnished, furnished, or in any way suggested the said drawings, specifications, or other data, in any way suggested by the recipient.



DASH NO.	TUBING SIZE MIN OD	A $\pm .031$	B $\pm .005$	C $\pm .031$	H MAX	L $\pm .125$	W MAX	MAX ALLOWABLE WEIGHT LB	MAX ALLOWABLE PRESSURE DROP AT RATED FLOW INCHES HG	RATED FLOW GPH
-1	1/4	.422	1.062	1.219	4.000	1.625	1.188	.5	2.6	20
-2	3/8	.500	1.625	1.469	4.250	2.125	1.438	1.0	8.0	60
-3	1/2	.687	2.000	1.875	5.000	2.500	1.750	1.25	18.0	120

MATERIAL: SEE PROCUREMENT SPECIFICATION.

FINISH: SEE PROCUREMENT SPECIFICATION.

REMOVE ALL BURRS AND BREAK SHARP EDGES .016 MAXIMUM.

DIMENSIONS IN INCHES.

POWER CONSUMPTION SHALL NOT EXCEED 25 WATTS.

DESIGNED FOR USE WITH HYDROCARBON FUEL AT AN OPERATING PRESSURE NOT EXCEEDING 60 PSI.

THE VALVE SHALL NOT INCORPORATE ANY ELECTRICAL CONTACTS WHICH OPEN AND CLOSE DURING OPERATION OR ANY OTHER SOURCE OF ARCING.

P.A. AIR FORCE-82 CUSTODIANS' (B) NAVY-AS AIR FORCE-99	MILITARY STANDARD	MS29527
	VALVE, FUEL SHUTOFF SOLENOID OPERATED, 28-VOLT DC 60-PSI OPERATING PRESSURE	
Procurement Specification MIL-V-8610	SUPERSEDES: AN1143	SHEET 1 OF 1

APPROVED 14 Jul 53 REVISED (A) 17 Feb 56 (B) 2 Mar 84