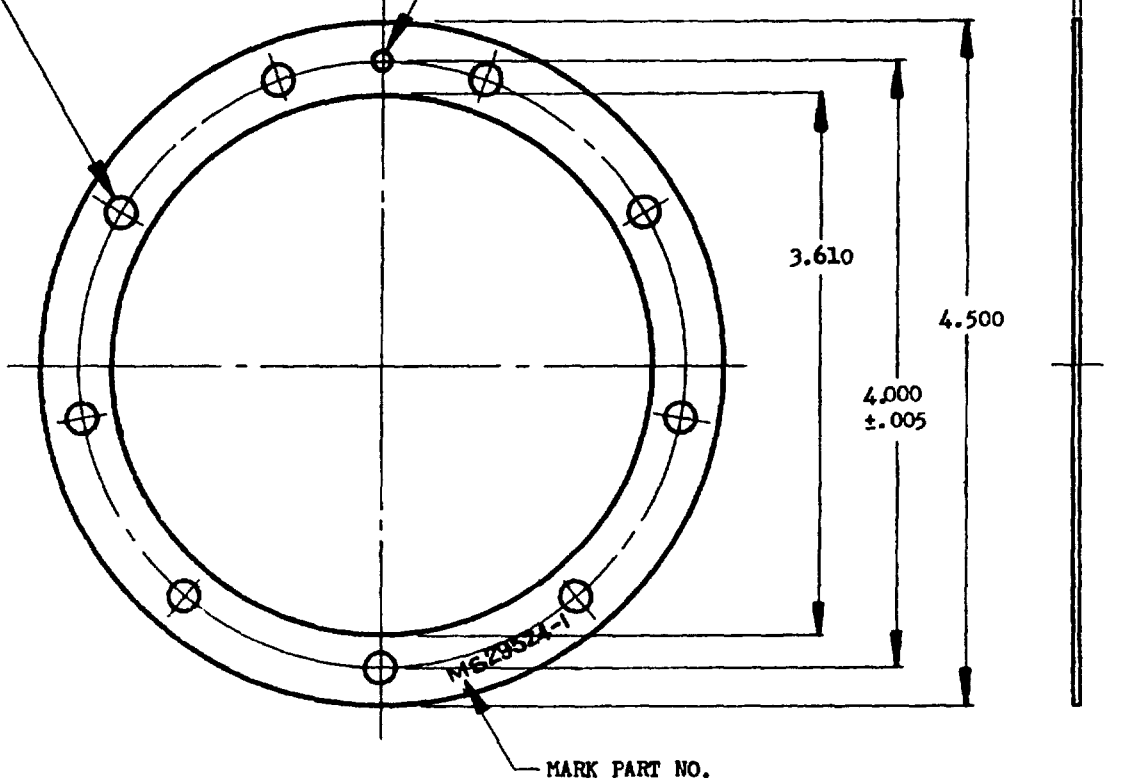


FED. SUP CLASS.
5330

.205 \pm .010 DIA, 9 HOLES
-.005
EQUALLY SPACED WITHIN \pm .005

.109 \pm .010 DIA
-.005

(a) .016



DASH NO.
-1

(a) THICKNESS TOLFRANCE AS SPECIFIED IN MATERIAL SPECIFICATION.

MATERIAL: GASKET MATFRIAL, SPECIFICATION MIL-C-8068(USAF), TYPE I.

DIMENSIONS IN INCHES. UNLESS OTHERWISE SPECIFIED, TOLERANCES: DECIMALS \pm .010.

NOTICE: When Government drawings, specifications, or other data are used for any purpose other than in connection with a definitely related Government procurement operation, the United States Government thereby incurs no responsibility, nor any obligation whatsoever; and the fact that the Government may have furnished, furnished, or in any way supplied the said drawings, specifications, or other data is not to be regarded as an authorization or otherwise as in any way licensing the holder or any other person or corporation, or conveying any rights or permission to manufacture, use, or sell any patented invention that may in any way be related thereto.

APPROVED 28 Jul 53 REVISED

CUSTODIANS Navy-BuAer Air Force	OTHER INT. A - N - AF -	MILITARY STANDARD	MS29524 (ASG)
		GASKET - ADAPTER LOCKING FLANGE, PRESSURE FUEL SERVICING	
Procurement Specification NONE	SUPERSEDES:	SHEET 1 OF 1	