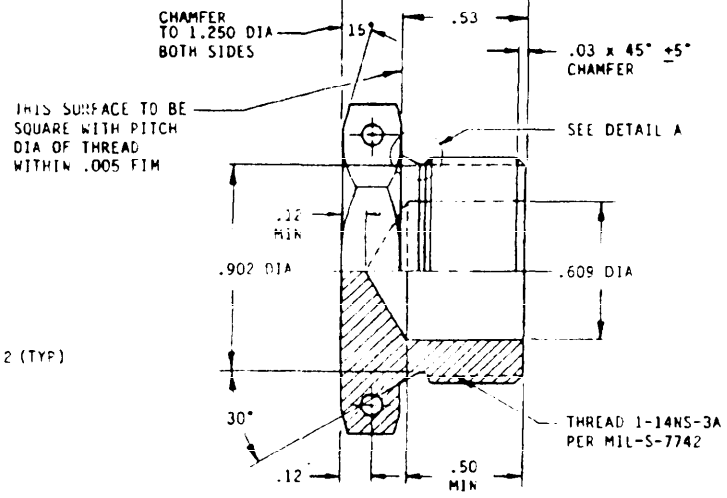
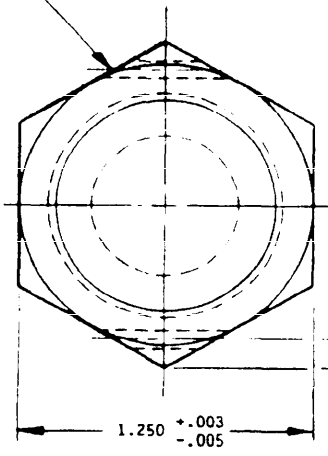


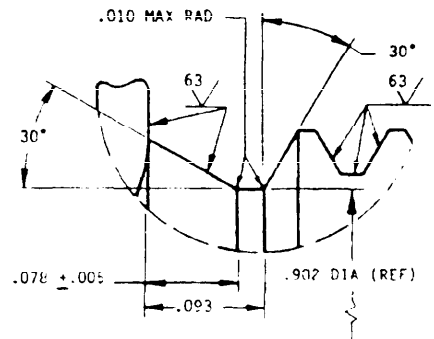
FORM APPROVED  
OMB NO. 0704-0188

REQUIREMENTS FOR ACQUIRING THE PRODUCT(S) DESCRIBED HEREIN SHALL CONSIST OF THIS SPECIFICATION AND THE ISSUE OF THE FOLLOWING SPECIFICATION LISTED IN THAT ISSUE OF THE DODISS: THE SOLICITATION: NONE

2 HOLES .076 DIA PER ANDI0387.  
BREAK EDGES .003 - .015  
4 PLACES.



(B)	MS PART NO.	MAX WT.
	MS29552-2	



DETAIL A  
ENLARGED

(B) REQUIREMENTS:

1. MATERIAL: STEEL AMS 6322 OR MIL-S-6049
2. FINISH: ZINC COATING PER ASTM B633, TYPE II.
3. HARDNESS: ROCKWELL C26-32.
4. SURFACE ROUGHNESS: UNLESS OTHERWISE SPECIFIED, SURFACES TO BE 125 MICROINCHES Ra PER ANSI/ASME B46.1.

(B) NOTES:

1. DIMENSIONS IN INCHES. UNLESS OTHERWISE SPECIFIED, TOLERANCES: DECIMALS  $\begin{smallmatrix} +.02 \\ \end{smallmatrix}$ ,  $\begin{smallmatrix} +.010 \\ \end{smallmatrix}$ , ANGLES  $\begin{smallmatrix} +0.05^\circ \\ \end{smallmatrix}$ .
2. REMOVE ALL BURRS AND SHARP EDGES.
3. USAGE: USE WITH GASKET AN123033.
4. NOMINAL USE OF THIS PLUG IS WITH MS29590 OIL COOLER.
5. DIA .902 (SHOWN ON THE DRAWING) SHALL BE CONCENTRIC WITH PITCH DIA OF THREAD WITHIN .005 FULL INDICATOR MOVEMENT (F.I.M).
6. IN THE EVENT OF A CONFLICT BETWEEN THE TEXT OF THIS STANDARD AND THE REFERENCES CITED HEREIN, THE TEXT OF THIS STANDARD SHALL TAKE PRECEDENCE.
7. REFERENCED GOVERNMENT (OR NON-GOVERNMENT) DOCUMENTS OF THIS ISSUE LISTED IN THAT ISSUE OF THE DEPARTMENT OF DEFENSE INDEX OF SPECIFICATIONS AND STANDARDS (DODISS) SPECIFIED IN THE SOLICITATION FORM A PART OF THIS STANDARD TO THE EXTENT SPECIFIED HEREIN.

(B) DENOTES CHANGE

THIS IS APPROVED FOR USE BY ALL DEPARTMENTS AND AGENCIES OF THE DEPARTMENT OF DEFENSE.

PREPARING ACTIVITY: NAVY - AS CUSTODIANS: ARMY - AV      NAVY - AIR FORCE - 99      DLA -  REVIEW ARMY-AT, USAF-71, 82, DLA-CS USER: MARINE CORPS - MC PROJECT NUMBER: 4730-0002	<b>MILITARY SPECIFICATION SHEET</b>  TITLE  PLUG, HEXAGON HEAD, OIL COOLER	SPECIFICATION SHEET NUMBER <b>MS29522</b> 14 DEC 90 REV B
		SUPERSEDING <b>MS29522 A</b> 3 FEB 65
		AMSC - N/A      FSC 4730

DISTRIBUTION STATEMENT