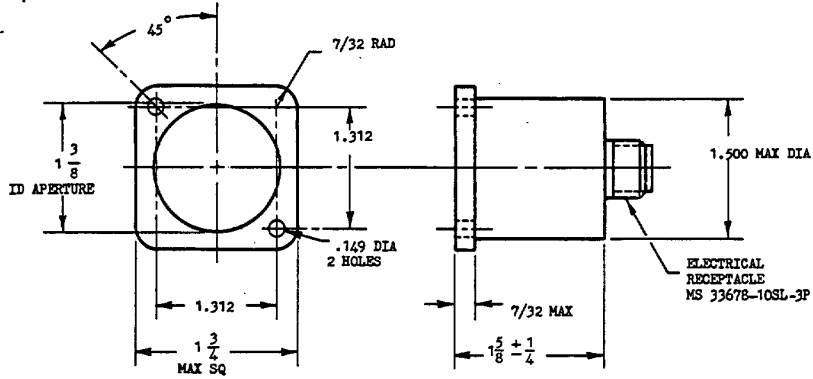


FED. SUP CLASS
6610



MS PART NO.	FUNCTION	PROCUREMENT SPECIFICATION
MS28002-1	RUDDER TRIM TAB	MIL-I-7063
MS28002-2	ELEVATOR TRIM TAB	MIL-I-7064
MS28002-3	AILERON TRIM TAB	MIL-I-7065

DIMENSIONS IN INCHES, UNLESS OTHERWISE SPECIFIED, TOLERANCES: DECIMALS ±.005, FRACTIONS ±1/64, ANGLES ±1/2 .

INACTIVE FOR NEW DESIGN AFTER 20 FEBRUARY 1959.
 © USE MS33638. MS.28002-2 CANCELLED WITH NO REPLACEMENT.

REDRAWN

© Cancelled No Superseding Documents.

DISTRIBUTION STATEMENT A. Approved for public release; distribution is unlimited.

TRANSFORMER

P.A. AIR FORCE-99 Other Cust ARMY - AV NAVY - AS	TITLE INDICATOR POSITION, CONTROL SURFACES, 1-3/8 INCH DIAL, 28 VOLTS DC	MILITARY STANDARD
		MS28002
PROCUREMENT SPECIFICATION SEE ABOVE	SUPERSEDES:	SHEET 1 OF 1

DD FORM 672-1

EDITION OF 1 SEP 57 MAY BE USED.

PROJECT NUMBER: 6610-0298

DATE

DRAWN BY *Howard Jones* 17 MAR 76

TYPED BY _____

CHECKED BY _____

NOTES TO PRINTER: REDUCE BORDER TO 6-27/32±9-3/4. PRINT LEFT BORDER-LINE ONE INCH FROM LEFT EDGE OF 8x10-1/2 SHEET. PRINT BOTTOM BORDER LINE 3/8 INCH FROM BOTTOM EDGE OF 8x10-1/2 SHEET. SIGNATURE FORM NOT TO BE INCLUDED ON 8x10-1/2 SHEET.

990 247-111

APPROVED
REVISED ① 5 APR 57 ② 25 AUGUST 1981 ③ 29 December 1989