

INCH-POUND

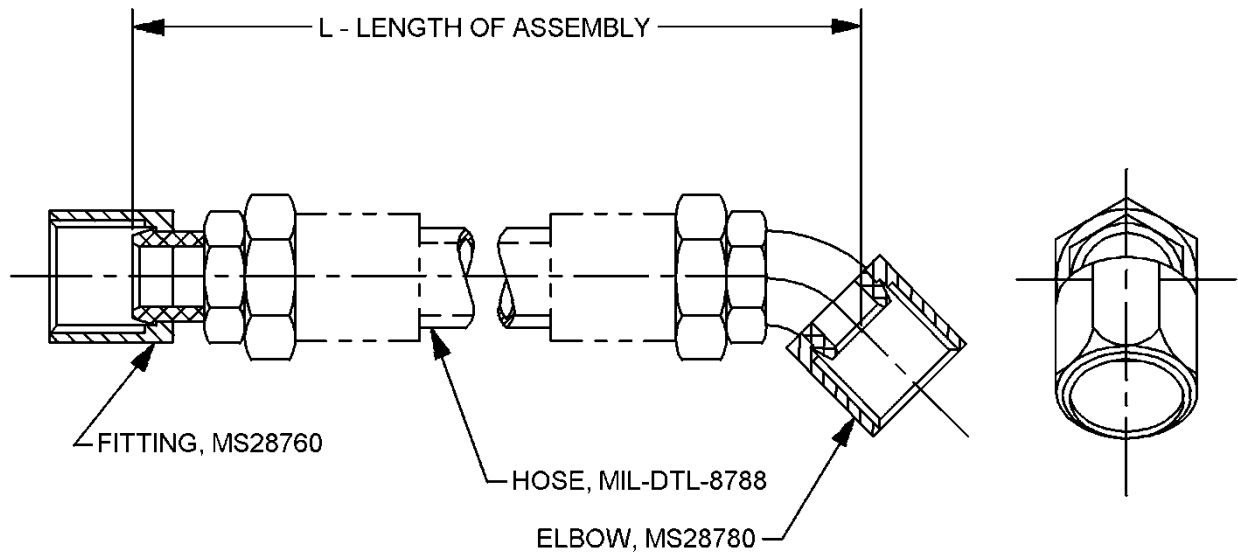
MS28920C
w/AMENDMENT 1
26 July 2012
SUPERSEDING
MS28920C
19 April 2007

DETAIL SPECIFICATION SHEET

HOSE ASSEMBLY, RUBBER, HYDRAULIC (3000 PSI),
STRAIGHT TO ELBOW 45°, FLARED TUBE
FIELD ATTACHABLE

This specification is approved for use by all Departments and Agencies of the Department of Defense.

The requirements for acquiring the product described herein shall consist of this specification sheet and MIL-DTL-8790.



Dash size number (see note 4)	Tubing OD ref. inches (mm)	Hose ID ref. inches (mm)	End fitting PIN
4	.25 (6.35)	.22 (5.59)	MS28760-4 and MS28780-4
5	.31 (7.87)	.28 (7.11)	MS28760-5 and MS28780-5
6	.38 (9.65)	.34 (8.64)	MS28760-6 and MS28780-6
8	.50 (12.70)	.44 (11.18)	MS28760-8 and MS28780-8
10	.63 (16.00)	.56 (14.22)	MS28760-10 and MS28780-10
12	.75 (19.05)	.69 (17.53)	MS28760-12 and MS28780-12
16	1.00 (25.40)	.88 (22.35)	MS28760-16 and MS28780-16

FIGURE 1. Hose assembly, flared tube dimensions and configuration.

MS28920C
w/AMENDMENT 1

NOTES:

1. Dimensions are in inches.
2. Metric equivalents are for information only.
3. Hose assembly lengths (L) shall be as specified with the following tolerances:
 - a. Under 18 inches (0.46 m) long ($\pm .13$ inch (3.3 mm)).
 - b. Over 18 to 36 inches (0.46 to 0.91 m) long ($\pm .25$ inch (6.4 mm)).
 - c. Over 36 to 50 inches long (0.91 to 1.27 m) ($\pm .50$ inch (12.7 mm)).
 - d. Over 50 inches long ($\pm 1\%$).
4. Dash size number refers to the nominal outside diameter of the passageway in sixteenths (1/16) of an inch. A dash 8 (-8) has an outside diameter of one-half inch (8/16).

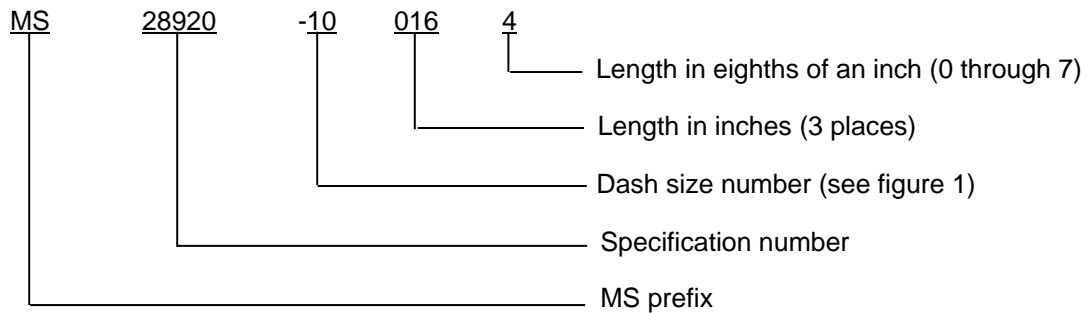
FIGURE 1. Hose assembly, flared tube dimensions and configuration - Continued.

REQUIREMENTS:

Hose assemblies shall be as specified on figure 1.

The hose assembly identification shall be marked in accordance with MIL-DTL-8790.

Part or Identifying Number (PIN) example:



Example of a PIN: MS28920-100164. MS28920 hose assembly, .625 inch (5/8 inch) passageway diameter, 16.5 inches long.

For supersession data, see table I.

TABLE I. Supersession table.

Superseded PIN	Cancelled PIN
MS28920-4-XXXX	MS28920EXXXX
MS28920-5-XXXX	MS28920FXXXX
MS28920-6-XXXX	MS28920GXXXX
MS28920-8-XXXX	MS28920HXXXX
MS28920-10-XXXX	MS28920JXXXX
MS28920-12-XXXX	MS28920KXXXX
MS28920-16-XXXX	MS28920MXXXX

MS28920C
w/AMENDMENT 1

Amendment notations. The margins of this specification are marked with vertical lines to indicate modifications generated by this amendment. This was done as a convenience only and the Government assumes no liability whatsoever for any inaccuracies in these notations. Bidders and contractors are cautioned to evaluate the requirements of this document based on the entire content irrespective of the marginal notations.

Referenced documents. In addition to MIL-DTL-8790, this document references the following:

MS28760
MS28780
MIL-DTL-8788

CONCLUDING MATERIAL

Custodians:

Army - AT
Navy - AS
Air Force - 99
DLA - CC

Preparing activity:
DLA - CC

(Project 4720-2012-013)

Review activities:

Army - AV, MI
Navy - SA
Air Force - 71

NOTE: The activities listed above were interested in this document as of the date of this document. Since organizations and responsibilities can change, you should verify the currency of the information above using the ASSIST Online database at <https://assist.dla.mil>.