

INCH-POUND

MS28920B
6 April 2001
SUPERSEDING
MS28920A (ASG)
31 March 1969

DETAIL SPECIFICATION SHEET

HOSE ASSEMBLY, RUBBER, HYDRAULIC (3000 PSI),
FITTING END TO ELBOW 45°, FLARED TUBE

This specification is approved for use by all Departments and
Agencies of the Department of Defense.

The requirements for acquiring the product described herein shall consist of this specification and
MIL-DTL-8790.

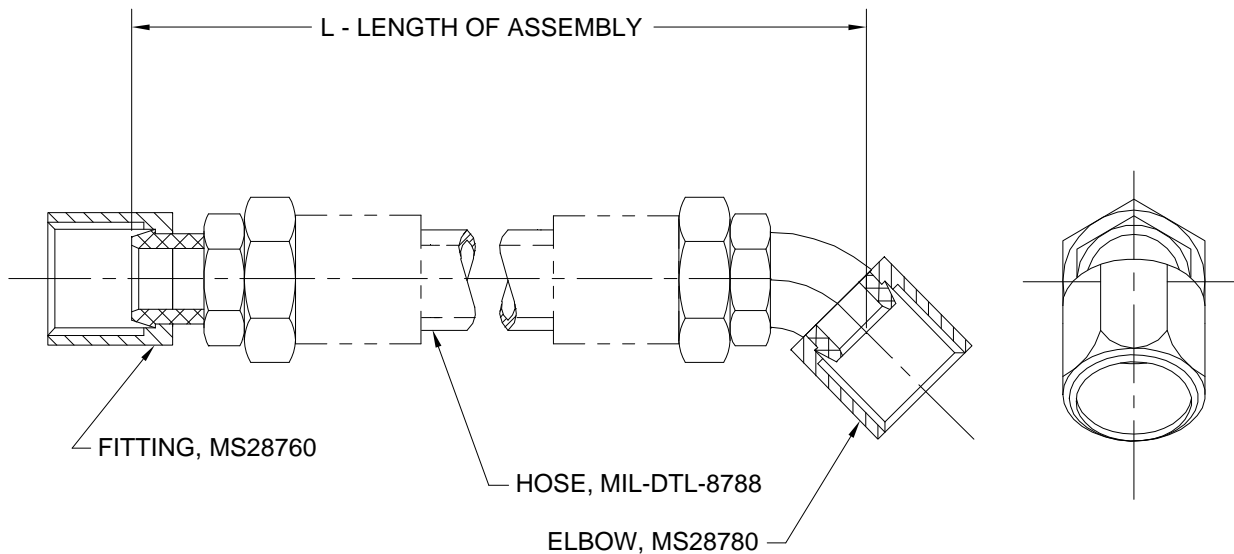


FIGURE 1. Hose assembly, flared tube.

MS28920B

TABLE I. Hose assembly dimensions.

Size dash no.	Size code letter	Tubing OD ref.	Hose ID ref.	End fitting part no.
4	E	.25	.22	MS28760-4 and MS28780-4
5	F	.31	.28	MS28760-5 and MS28780-5
6	G	.38	.34	MS28760-6 and MS28780-6
8	H	.50	.44	MS28760-8 and MS28780-8
10	J	.63	.56	MS28760-10 and MS28780-10
12	K	.75	.69	MS28760-12 and MS28780-12
16	M	1.00	.88	MS28760-16 and MS28780-16

REQUIREMENTS:

1. Hose assemblies shall be in accordance with figure 1 and table I.
2. The hose assembly identification shall be marked in accordance with MIL-DTL-8790.

NOTES:

1. All dimensions are in inches.
2. Hose assembly lengths shall be as specified with the follow tolerances:
 - a. Under 18 inches long (Tolerance: $\pm .13$).
 - b. Over 18 to 36 inches long (Tolerance $\pm .25$).
 - c. Over 36 to 50 inches long (Tolerance $\pm .50$).
 - d. Over 50 inches long (Tolerance $\pm 1\%$).
3. This specification sheet takes precedence over documents referenced herein.
4. Referenced documents shall be of the issue listed in the issue of the Department of Defense Index of Specifications and Standards (DoDISS) and supplement thereto, cited in solicitation.

MS28920B

5. Part or Identifying Number (PIN):

Example of a PIN: MS28920-J-016-4



Custodians:
Air Force - 99
Army - AT
Navy - AS
DLA - CC

Preparing activity:
DLA - CC
(Project 4720-0164)

Review activities:
Air Force - 71
Army - AV, MI
Navy - SA