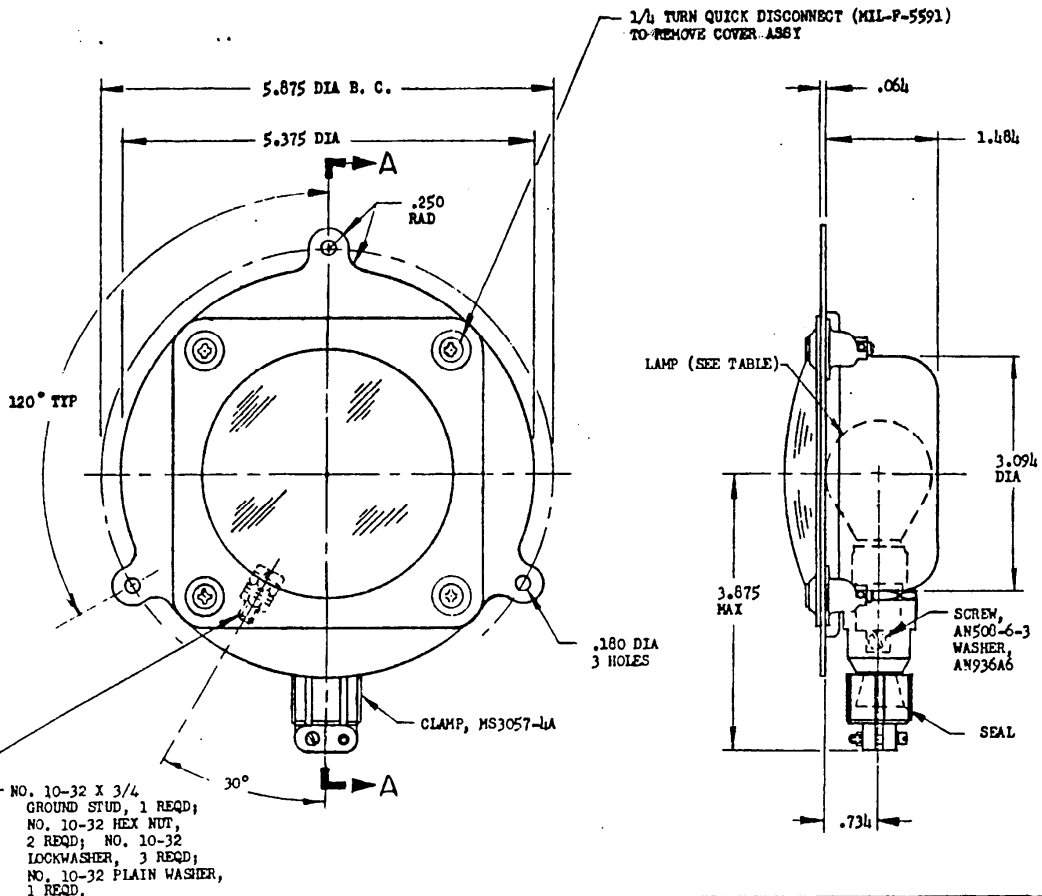


FED. SUP CLASS
6220



REVIEWER AND USER ACTIVITIES:
Army - MO
Navy - Weps
USAF - 82

| LIGHT ASSY DASH NO. | | LAMP | | | COVER ASSY DASH NO. | EXTENSION DASH NO. | GASKET DASH NO. |
|---------------------|----------------------|-------------|--------|---------|---------------------|--------------------|-----------------|
| WITH COVER AND LAMP | WITH COVER LESS LAMP | MS PART NO. | FINISH | VOLTAGE | | | |
| -1 | | MS25235-311 | CLEAR | 28 | -4 | -5 | -6 |
| -2 | -3 | MS35478-307 | CLEAR | 28 | | | |

MATERIAL: REFLECTOR, ALUMINUM, .040 THICK, 6061-0.
LENS, MIL-C-7989, CLASS C, COLOR AVIATION WHITE.
GASKET, SILICONE RUBBER, DUROMETER 15-30; DUPONT SB520A, OR EQUAL.
FINISH: EXTERIOR PAINTED ZINC CHROMATE PRIMER MIL-P-8585.
INTERIOR PAINTED WHITE LUSTERLESS ENAMEL MIL-E-5556 INSIGNIA WHITE.

DIMENSIONS IN INCHES. UNLESS OTHERWISE SPECIFIED, TOLERANCES: DECIMALS ±.010, ANGLES ±1°.

THREADS IN ACCORDANCE WITH MIL-S-7742.
HOLE TOLERANCES IN ACCORDANCE WITH AMD10387.

WEIGHT: 0.65 LB MAX.

EXAMPLE OF PART NO. MS28916-1 = LIGHT WITH COVER, EXTENSION, GASKET AND MS25235-311 LAMP.
MS28916-4 = COVER ASSEMBLY ONLY.

THE DESIGN OF THE LIGHT AND DETAILS NEED NOT BE AS SHOWN PROVIDED ALL REQUIREMENTS ARE MET, INTERCHANGEABILITY IS NOT AFFECTED, AND THE DESIGN IS APPROVED BY THE PROCURING ACTIVITY.

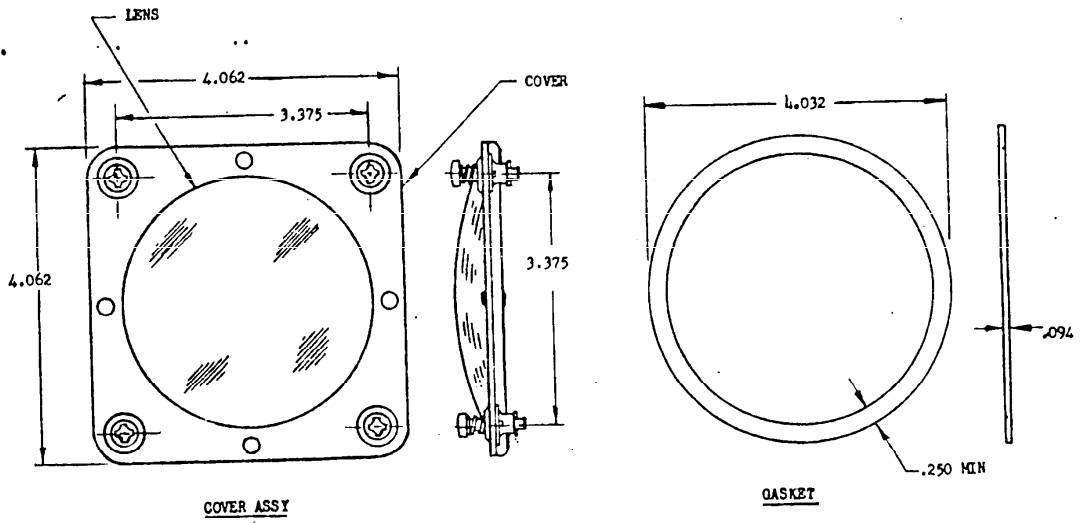
FOR DESIGN FEATURE PURPOSES, THIS STANDARD TAKES PRECEDENCE OVER PROCUREMENT DOCUMENTS REFERENCED HEREIN.
REFERENCED DOCUMENTS SHALL BE OF THE ISSUE IN EFFECT ON DATE OF INVITATIONS FOR BID.

This military standard is approved by the Department of Defense and is mandatory on all activities. Selection for all new engineering and design applications and for repetitive use shall be made from this document.

| | | |
|--|---|----------------------------------|
| P.A. Navy - Weps Cust Army - MO USAF - 82 | TITLE LIGHT, CABIN DOME, AIRCRAFT | MILITARY STANDARD MS28916 |
| PROCUREMENT SPECIFICATION MIL-L-6723 | SUPERSEDES: AN3039 AS AN ASSEMBLY ONLY | SHEET 1 OF 2 |

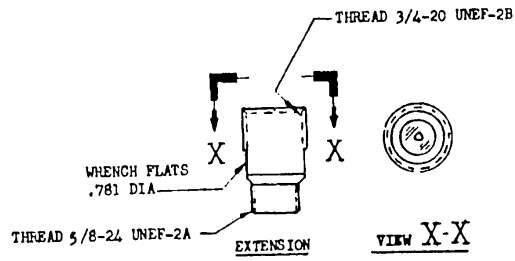
REVISED
APPROVED 27 Jul 64

FED. SUP CLASS
6220



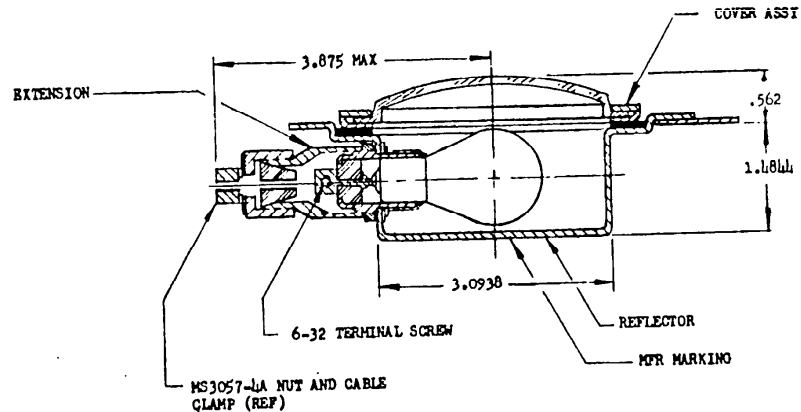
COVER ASSY

GASKET



EXTENSION

VIEW X-X



SECTION A-A

BUYER AND USER ACTIVITIES:
 Army - MO
 Navy - Weps
 USAF - 82

This military standard is approved by the Department of Defense and is mandatory on all activities. Selection for all new engineering and design applications and for repetitive use shall be made from this document.

APPROVED 27 Jul 64 REVISED

| | | |
|--|---|-------------------|
| P.A. Navy - Weps Other Cust Army - MO USAF - 82 | TITLE | MILITARY STANDARD |
| | LIGHT, CABIN DOME, AIRCRAFT | MS28916 |
| PROCUREMENT SPECIFICATION MIL-L-6723 | SUPERSEDES: AN3039 AS AN ASSEMBLY ONLY | SHEET 2 OF |