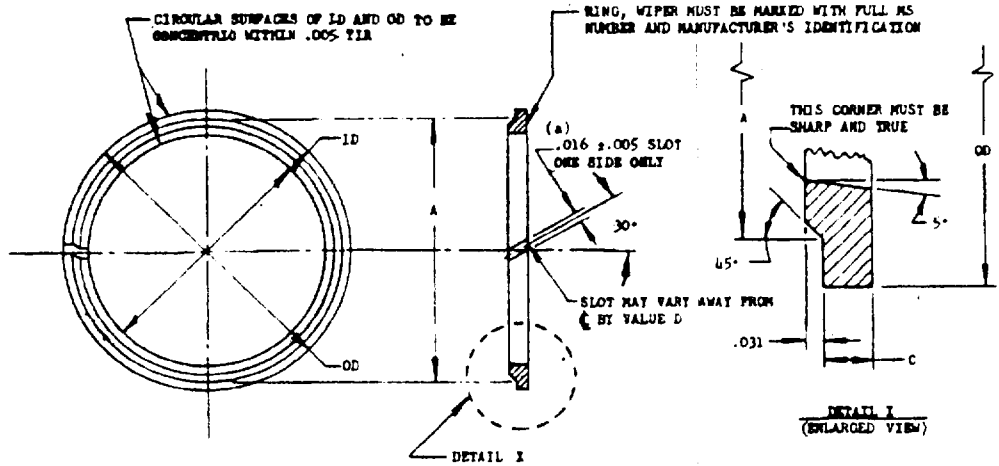


FED. SUP CLASS  
1650



USER ACTIVITIES

REVISER ACTIVITIES

METALLIC	DASH NO.		NOMINAL ROD OD	RING WIPER		A ±.005 DIA	C ±.000 -.010	D MAX
	(b) PTFE	WITH RUBBER		(a) OD ±.000 -.005	(a) ID ±.002 ±.003			
	1T	1R	1/2	.740	.494	.617		
	2T	2R	9/16	.803	.556	.680		
	3T	3R	5/8	.865	.617	.742		
	4T	4R	11/16	.928	.680	.804		
	5T	5R	3/4	.990	.744	.867		
	6T	6R	13/16	1.032	.805	.919		
	7T	7R	7/8	1.094	.868	.982		
	8T	8R	15/16	1.157	.930	1.044		
	9T	9R	1	1.219	.992	1.106	.094	.050
	10T	10R	1 - 1/16	1.282	1.055	1.169		
	11T	11R	1 - 1/8	1.344	1.118	1.232		
	12T	12R	1 - 3/16	1.407	1.180	1.294		
	13T	13R	1 - 1/4	1.469	1.243	1.356		
	14T	14R	1 - 5/16	1.531	1.305	1.418		
	15T	15R	1 - 3/8	1.657	1.368	1.512		
	16T	16R	1 - 7/16	1.719	1.430	1.575		
	17T	17R	1 - 1/2	1.782	1.492	1.638		
	18T	18R	1 - 5/8	1.907	1.618	1.763		
	19T	19R	1 - 3/4	2.032	1.743	1.888		
	20T	20R	1 - 7/8	2.157	1.868	2.013		

(a) DIMENSIONS TO BE TAKEN WITH RING INSTALLED ON ROD AS SPECIFIED IN PROCUREMENT SPECIFICATION.

(b) POLYTETRAFLUOROETHYLENE

FINISH: SEE PROCUREMENT SPECIFICATION.

PLATING: SEE PROCUREMENT SPECIFICATION.

MATERIAL: SEE PROCUREMENT SPECIFICATION.

DIMENSIONS IN INCHES. UNLESS OTHERWISE SPECIFIED, TOLERANCES; DECIMALS ±.016, ANGLES ±1/2°.

MAXIMUM SATISFACTORY OPERATING TEMPERATURE OF RING, WIPERS UTILIZING RUBBER IS 160°F.

EXAMPLES OF PART NUMBER: MS28903-5 - RING, WIPER FOR .750 OD ROD EITHER SINGLE OR MULTIPIECE CONSTRUCTION, USING METAL AS A ROD BEARING MATERIAL.  
 MS28903-5T - RING, WIPER FOR .750 OD ROD EITHER SINGLE OR MULTIPIECE CONSTRUCTION, USING POLYTETRAFLUOROETHYLENE AS ROD BEARING MATERIAL.  
 MS28903-5R - RING, WIPER FOR .750 OD ROD EITHER SINGLE OR MULTIPIECE CONSTRUCTION, USING RUBBER AS ROD BEARING MATERIAL.

FOR DESIGN FEATURE PURPOSES THIS STANDARD TAKES PRECEDENCE OVER PROCUREMENT DOCUMENTS REFERENCED HEREIN.

REFERENCED DOCUMENTS SHALL BE OF THE ISSUE IN EFFECT ON DATE OF INVITATIONS FOR BID.  
 CANCELED. USE MS 28776. MS 28903 MAY BE USED UNTL SUPPLIES ARE EXHAUSTED.

DISTRIBUTION STATEMENT A. Approved for public release; distribution is unlimited.

AMSC-N/A

This military standard is approved for use by all Departments and Agencies of the Department of Defense. Selection for all new engineering and design applications and for repetitive use shall be made from this document when applicable.

P.A. USAF - 71 ONR/ASST NAVY - AS AIRFORCE - 99 PROCUREMENT SPECIFICATION MIL-R-891J	TITLE	MILITARY STANDARD
	RING, WIPER, HYDRAULIC AND PNEUMATIC, PISTON ROD, ETC	MS28903(ASG)
SUPERSEDES	SHEET 1 OF 1	

DD FORM 672-1 (Limited circulation)

PREVIOUS EDITIONS OF THIS FORM ARE OBSOLETE

1650-0413

APPROVED 24 Feb 1965 REVISED 9 NOV 87