

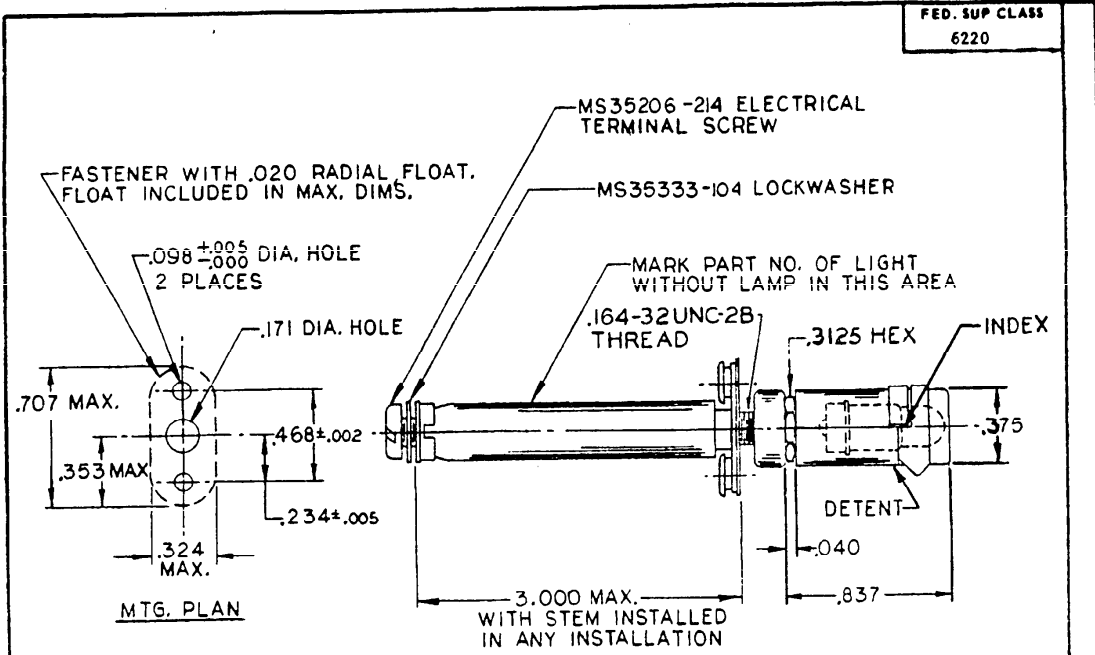
FED. SUP CLASS
6220

USER SYMBOLS:

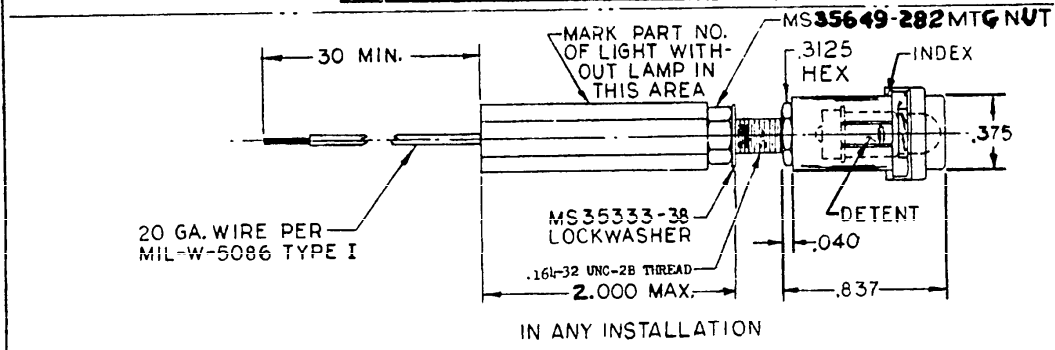
REVIEWER SYMBOLS:

*Review/user information is current as of the date of this document.
 For future coordination of changes to this document, draft circulation
 should be based on the information in the current DODISS.

This military standard is approved for use by all Departments
 & Agencies of the Department of Defense. Selection for all new
 engineering and design applications and for repetitive use shall
 be made from this document.



ASSEMBLY OF LIGHT WITH RECEPTACLE



ASSEMBLY OF LIGHT WITH SOCKET

MS PART NO.*	ITEM
MS28799-1	RED LIGHT WITH RECEPTACLE
MS28799-2	WHITE LIGHT WITH RECEPTACLE
MS28799-3	RED LIGHT WITH SOCKET
MS28799-4	WHITE LIGHT WITH SOCKET

*LIGHT WITHOUT LAMP

(B) REDRAWN

P.A.
NAVY - AS
Other Cust
USAF - 99
ARMY - ME
PROCUREMENT SPECIFICATION
MTI-1-5057

TITLE
LIGHT, COCKPIT, AIRCRAFT, INSTRUMENT,
POST TYPE, UNIVERSAL
SUPERSEDES:
MS28799 (WEP)

MILITARY STANDARD
MS28799

SHEET 1 OF 2

DD FORM 672-1 (Coordinated)
1 MAR 72

PREVIOUS EDITIONS OF THIS FORM ARE OBSOLETE.

PROJECT NO. 6220-0252 PLATE NO. 2208

APPROVED 17 MAR 61 REVISED (B) 28 FEB 79

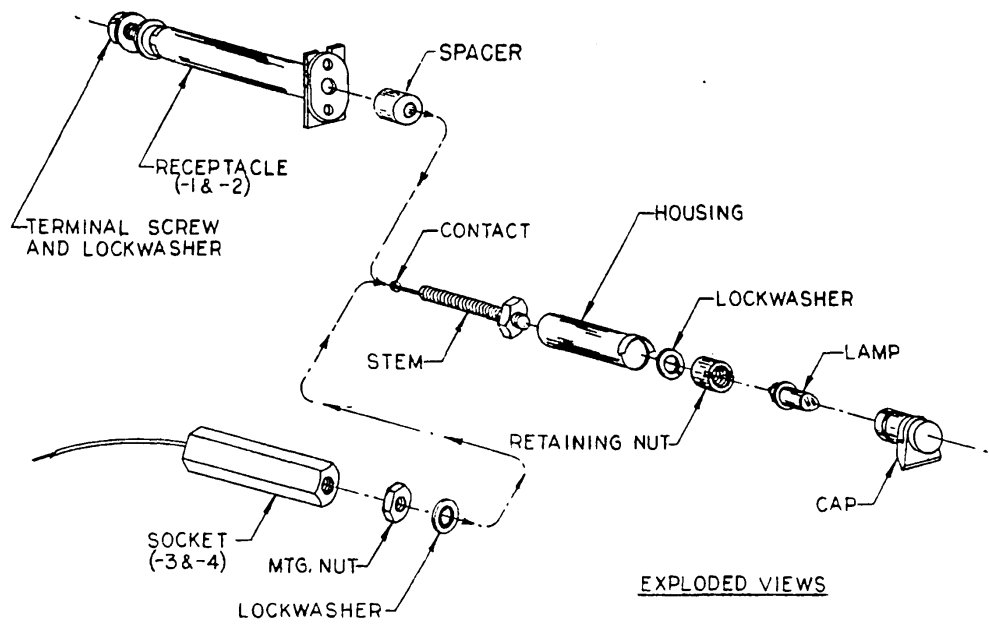
FED. SUP CLASS
6220

USER SYMBOLS:

REVIEWER SYMBOLS:

*Review/user information is current as of the date of this document.
 For future coordination of changes to this document, draft circulation
 should be based on the information in the current DDISS.

This military standard is approved for use by all Departments
 & Agencies of the Department of Defense. Selection for all new
 engineering and design applications and for repetitive use shall
 be made from this document.



EXPLODED VIEWS

REQUIREMENTS:

1. PART NUMBERS OF LIGHTS WHICH INCLUDE LAMPS SHALL BE MARKED ON THEIR SHIPPING CONTAINERS ONLY.
2. FOR FLANGE-MOUNTED INSTRUMENTS INSTALLED WITH MOUNTING FLANGE ON FRONT (DIAL) SIDE OF INSTRUMENT PANEL, USE LIGHT WITH RECEPTACLE. USE SPACER FOR COUNTERBORED INSTRUMENTS - DISCARD FOR NON-COUNTERBORED INSTRUMENTS.
3. FOR FLANGE-MOUNTED INSTRUMENTS INSTALLED WITH MOUNTING FLANGE ON BACK SIDE OF INSTRUMENT PANEL, USE LIGHT WITH SOCKET. DISCARD MOUNTING NUT AND LOCKWASHER IF INSTRUMENT INCLUDES MOUNTING NUTS.
4. FOR CLAMP-MOUNTED INSTRUMENTS, USE LIGHT WITH RECEPTACLE AND SPACER.
5. HOUSING SHALL BE FREE TO ROTATE WITHOUT LIMIT ON THE STEM UNTIL RETAINING NUT IS TIGHTENED.
6. INDEX SHALL PREVENT CAP FROM BEING INSTALLED ON HOUSING IN MORE THAN ONE ORIENTATION.
7. THE DETENT SHALL RETAIN THE CAP ON THE HOUSING.
8. WEIGHT: 0.04 LB MAX.
9. OPTICAL PATHS OF WHITE LIGHTS SHALL BE COLOR NON-SELECTIVE.

NOTES:

1. IF MS25237-327 LAMP IS DESIRED, ADD SUFFIX -327 TO PART NUMBER OF LIGHT WITHOUT LAMP. IF MS25237-328 LAMP IS DESIRED, ADD SUFFIX -328 TO PART NUMBER OF LIGHT WITHOUT LAMP.
2. DIMENSIONS ARE IN INCHES.
3. UNLESS OTHERWISE SPECIFIED, TOLERANCES: DECIMALS ±.016, ANGLES ±1°.
4. LIGHTS SHALL BE IN ACCORDANCE WITH MIL-L-5057.
5. REFERENCED DOCUMENTS SHALL BE OF THE ISSUE IN EFFECT ON DATE OF INVITATIONS FOR BIDS, OR REQUEST FOR PROPOSAL EXCEPT THAT REFERENCED ADOPTED INDUSTRY DOCUMENTS SHALL GIVE THE DATE OF THE ISSUE ADOPTED.
6. FOR DESIGN FEATURE PURPOSES, THIS STANDARD TAKES PRECEDENCE OVER PROCUREMENT DOCUMENTS REFERENCED HEREIN.

APPROVED 17 MAR 61 B FOR CHANGES SEE SHIT 1 AND 2

P.A. NAVY - AS Other Cust USAF - 99 ARMY - ME	TITLE	MILITARY STANDARD
	LIGHT, COCKPIT, AIRCRAFT, INSTRUMENT, POST TYPE, UNIVERSAL	MS28799
PROCUREMENT SPECIFICATION MIL-L-5057	SUPERSEDES: MS28799(WEP)	SHEET 2 OF 2