

INCH-POUND

MS28777D
23 APRIL 2009
SUPERSEDING
MS28777C
16 MAY 1984

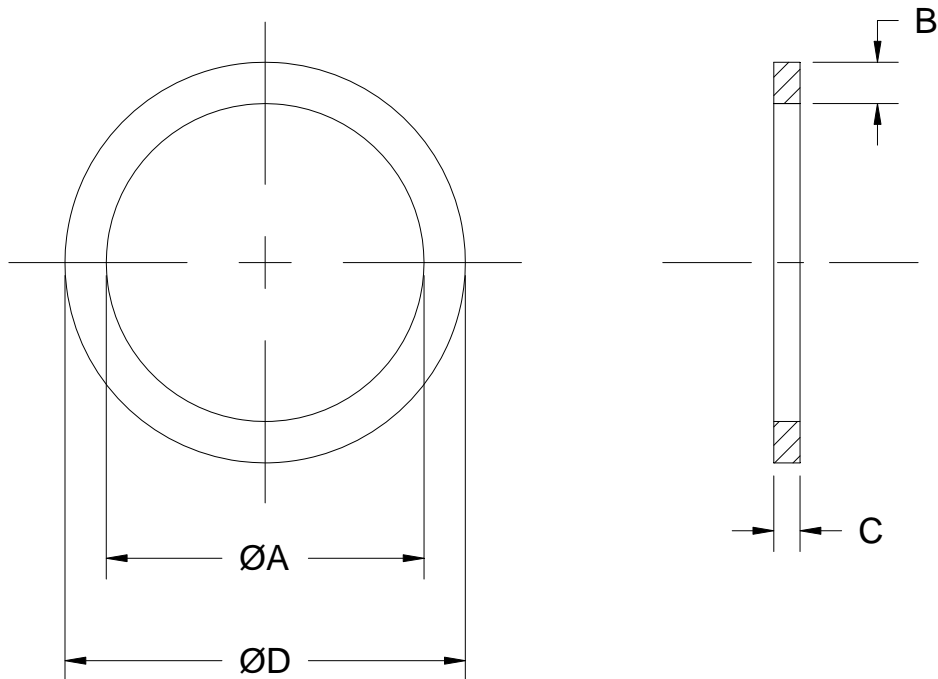
DETAIL SPECIFICATION SHEET

WASHER, FLAT AIRCRAFT HYDRAULIC BACKUP

Inactive for new design after 17 April 1997.

This specification sheet is approved for use by all Departments and Agencies of the Department of Defense.

The requirements for acquiring the product described herein shall consist of this specification sheet and procurement specification MIL-DTL-5521.

FIGURE I. Washer.

MS28777D

TABLE I. Part Numbers and Dimensions.

PART NUMBER	TUBING O.D.	$\varnothing A$ $\pm .0075$	B $\pm .0075$	(2) C $\pm .010$	$\varnothing D$ REF
MS28777-2	.125	.2340	.1089	.094	.452
MS28777-3	.188	.2960			.514
MS28777-4	.250	.3430			.577
MS28777-5	.313	.4060	.1169		.640
MS28777-6	.375	.4680			.702
MS28777-8	.500	.6400	.1249		.890
MS28777-10	.625	.7500	.1309	.125	1.012
MS28777-12	.750	.9220			1.264
MS28777-16	1.000	1.1720			1.514
MS28777-20	1.250	1.4840			1.826
MS28777-24	1.500	1.7340	.1709		2.076
MS28777-28	1.750	2.1090			2.451
MS28777-32	2.000	2.3590			2.701

Notes:

1. Material shall be in accordance with procurement specification: MIL-DTL-5521.
2. Thickness C shall not vary more than .010 between any two points on a ring.
3. Edges shall be cut clean and square to within 5°.
4. Dimensions in inches.
5. For installation details, see drawing MS21344.
6. For design purposes, this standard takes precedence over procurement specification referenced here-in.
7. Changes from previous issue. Marginal notations are not used in this revision to identify changes with respect to the previous issue due to the extent of the changes.

Custodians:
Army - AV
Navy - AS
Air Force – 99

Preparing Activity:
DLA -IS
(Project 5330-2009-010)

Review activity:
Navy - SA
Air Force - 71

NOTE: The activities listed above were interested in this document as of the date of this document. Since organizations and responsibilities can change, you should verify the currency of the information above using the ASSIST Online database at <http://assist.daps.dla.mil>.