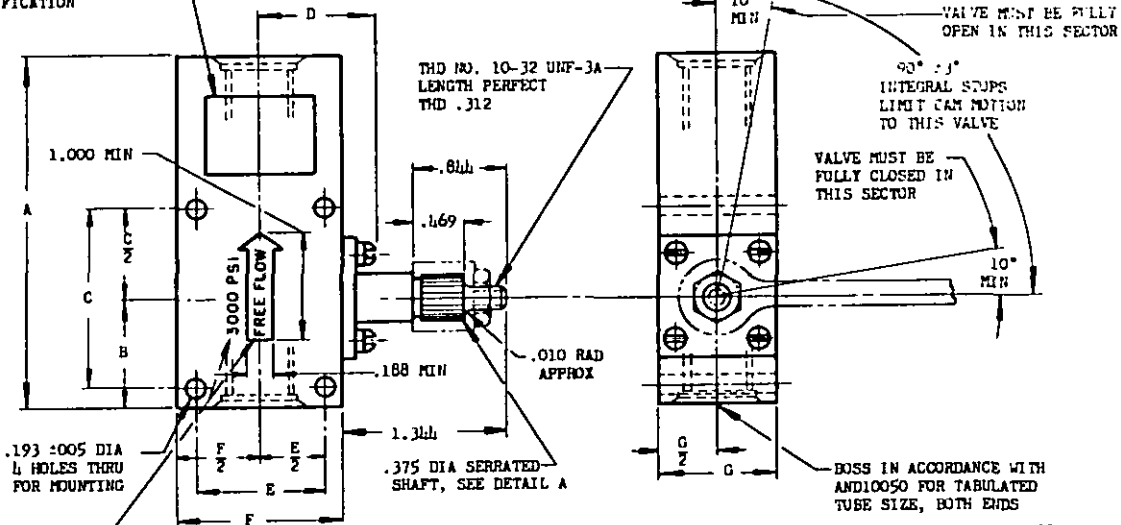


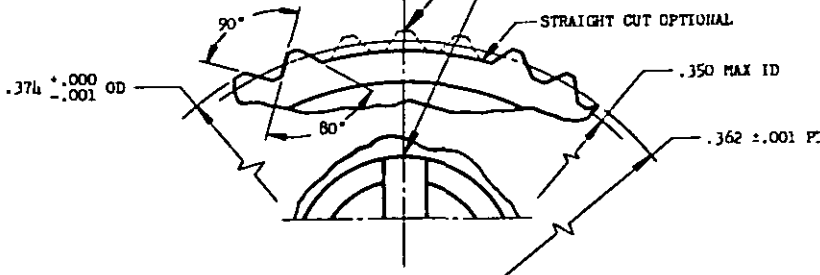
NOTICE: When Government drawings, specifications, or other data are used for any purpose other than in connection with a definitely related Government procurement operation, the United States Government thereby incurs no responsibility, nor any obligation whatsoever; and the fact that the Government may have furnished, furnished, or in any way supplied the said drawings, specifications, or other data is not to be regarded by implication or otherwise as in any manner licensing the holder or any other person or corporation, or conveying any rights or permission to manufacture, use, or sell any patented invention that may in any way be related thereto.

NAMEPLATE IN ACCORDANCE WITH PROCUREMENT SPECIFICATION



PERMANENT MARKING IN ACCORDANCE WITH PROCUREMENT SPECIFICATION. HEIGHT OF LETTERING .125 INCH MIN

THREE SERRATIONS REMOVED TO .350 ±.000 DIA CENTER TOOTH ALINES WITH INDEX MARK ON SHAFT AND 1/4 OF CAM PEAK WITHIN ±1°



DETAIL A

DASH NO.	FTIN	TUBING OD	A	B	C ±.005	D MAX	E ±.005	F	G
-4		1/4	2.750	.812	1.250	1.000	1.031	1.375	1.000
-8		1/2	3.219	1.000	1.625	1.062	1.156	1.500	1.125
-12		3/4	3.875	1.250	2.000	1.250	1.500	2.000	1.500

INTEGRAL STOP MECHANISM SHALL BE READILY CONVERTIBLE FOR CLOCKWISE OR COUNTERCLOCKWISE ROTATION. STOP MECHANISM MUST BE INDEPENDENT OF HANDLE.

DIMENSIONS IN INCHES. UNLESS OTHERWISE SPECIFIED, TOLERANCE: DECIMALS ±.031.

THIS STANDARD TAKES PRECEDENCE OVER DOCUMENTS REFERENCED HEREIN.

REFERENCED DOCUMENTS SHALL BE OF THE ISSUE IN EFFECT ON DATE OF INVITATIONS FOR BID.

THIS DOCUMENT HAS BEEN PROMULGATED BY THE DEPARTMENT OF DEFENSE AS THE MILITARY STANDARD TO LIMIT THE SELECTION OF THE ITEM, PRODUCT, OR DESIGN COVERED HEREIN IN ENGINEERING, DESIGN, AND PROCUREMENT. THIS STANDARD SHALL BECOME EFFECTIVE NOT LATER THAN 90 DAYS AFTER THE LATEST DATE OF APPROVAL SHOWN.

CUSTODIANS Navy - BuAer Air Force	OTHER INT. A - N - AF -	MILITARY STANDARD VALVE, CHECK, CONTROLLABLE, ROTARY-ACTION, HYDRAULIC, 3,000 PSI, TYPE 11 SYSTEMS	MS28764 (ASG)
	PROCUREMENT SPECIFICATION MIL-V-12067		

APPROVED 13 Sep 55 REVISED 4 17 Apr 57