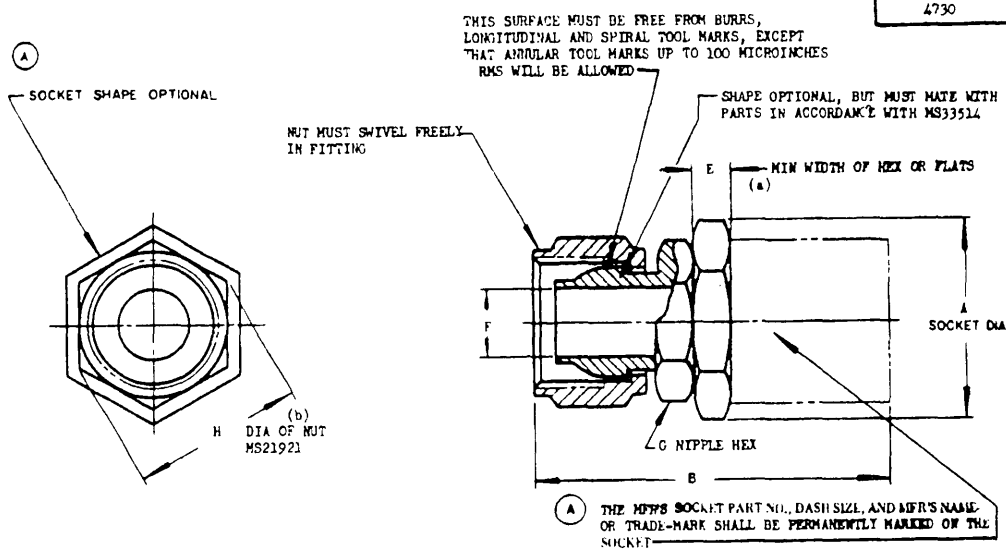


FED. SUP CLASS  
4730



MS PART NO.	HOSE ID REF	TUBING OD	(b) NUT	A MAX DIA	B MAX	(a) E MIN	F MIN DIA	G NIPPLE HEX	H REF
MS28761-4	7/32	1/4	MS21921-4	.875	2.491	.188	.346	.543	.649
MS28761-5	9/32	5/16	MS21921-5	.937	2.631		.177	.625	.721
MS28761-6	11/32	3/8	MS21921-6	1.160	3.000	.250	.271	.688	.794
MS28761-8	7/16	1/2	MS21921-8	1.375	3.310		.365	.875	1.018
MS28761-10	9/16	5/8	MS21921-10	1.550	3.564	.312	.455	1.000	1.155
MS28761-12	11/16	3/4	MS21921-12	1.740	3.823	.375	.566	1.250	1.443
MS28761-16	7/8	1	MS21921-16	2.000	4.511		.800	1.500	1.732

- (a) HEX OR FLATS SHALL FIT STANDARD WRENCH OPENINGS.
- (b) A NON-STANDARD SWIVEL NUT MAY BE USED, PROVIDED THE HEX AND THREAD DIMENSIONS ARE IN ACCORDANCE WITH MS21921, AND PROVIDED THE NUT CANNOT BE REMOVED FROM ASSEMBLY.

THE MS PART NUMBER SHALL BE MARKED ON A REMOVABLE TAG SECURELY ATTACHED TO THE END FITTING ASSEMBLY.

- (A) NIPPLES AND NUT SHALL BE OF STEEL AND SOCKET OF ALUMINUM, AS SPECIFIED IN SPECIFICATION MIL-F-8789. THESE FITTINGS FOR USE WITH SPECIFICATION MIL-H-8788 HOSE AS SHOWN ON STANDARD MS28762. DIMENSIONS IN INCHES. UNLESS OTHERWISE SPECIFIED, TOLERANCES: DECIMALS ±.005, ANGLES ±1°. CLEARANCE SHALL BE ALLOWED FOR THE MAXIMUM DIMENSIONS SHOWN ON THIS STANDARD FOR INSTALLATION. THIS STANDARD TAKES PRECEDENCE OVER DOCUMENTS REFERENCED HEREIN. REFERENCED DOCUMENTS SHALL BE OF THE ISSUE IN EFFECT ON DATE OF INVITATIONS FOR BID.

THIS DOCUMENT HAS BEEN PROMULGATED BY THE DEPARTMENT OF DEFENSE AS THE MILITARY STANDARD TO LIMIT SELECTION OF THE ITEM, PRODUCT, OR DESIGN COVERED HERE IN ENGINEERING, DESIGN, AND PROCUREMENT. THIS STANDARD SHALL BECOME EFFECTIVE NOT LATER THAN 90 DAYS AFTER THE LATEST DATE OF APPROVAL SHOWN.

NAVY - AS  
USAF - B2

Review activities

The military standard is maintained for use by all Department of Defense activities. It shall be made from this document.

APPROVED 7 Sep 56  
REVISED 25 AUG 70

P.A. USAF - B2 Other Code Navy - AS	TITLE (A) FITTING END, ATTACHABLE, HYDRAULIC HIGH PRESSURE HOSE (3,000 PSI), FLAMELESS TUBE	MILITARY STANDARD <b>MS28761</b>
PROCUREMENT SPECIFICATION MIL-F-8789	SUPERSEDES:	SHEET 1 OF 1