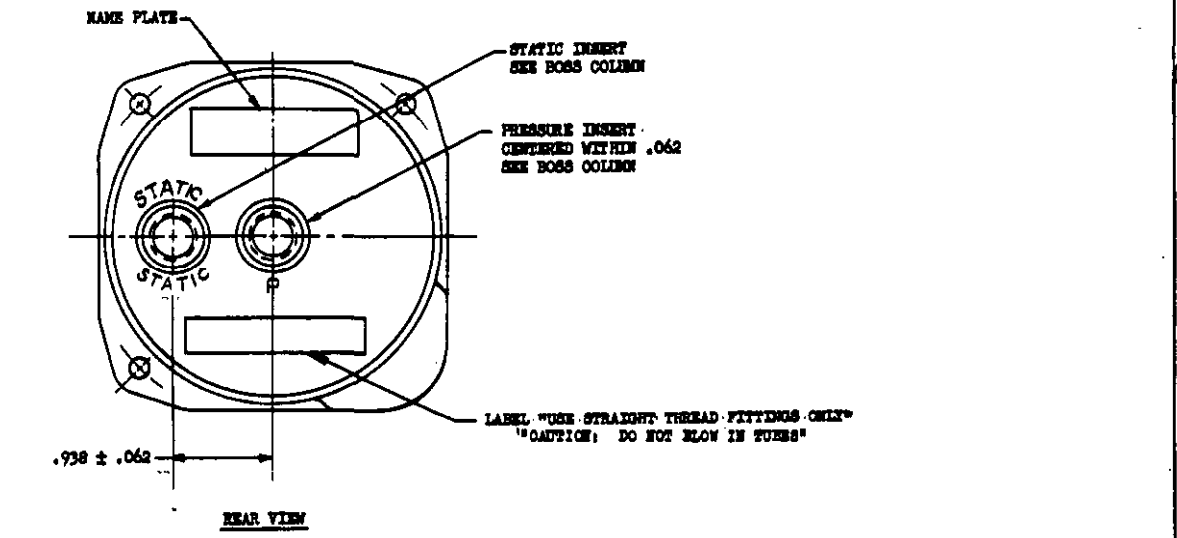
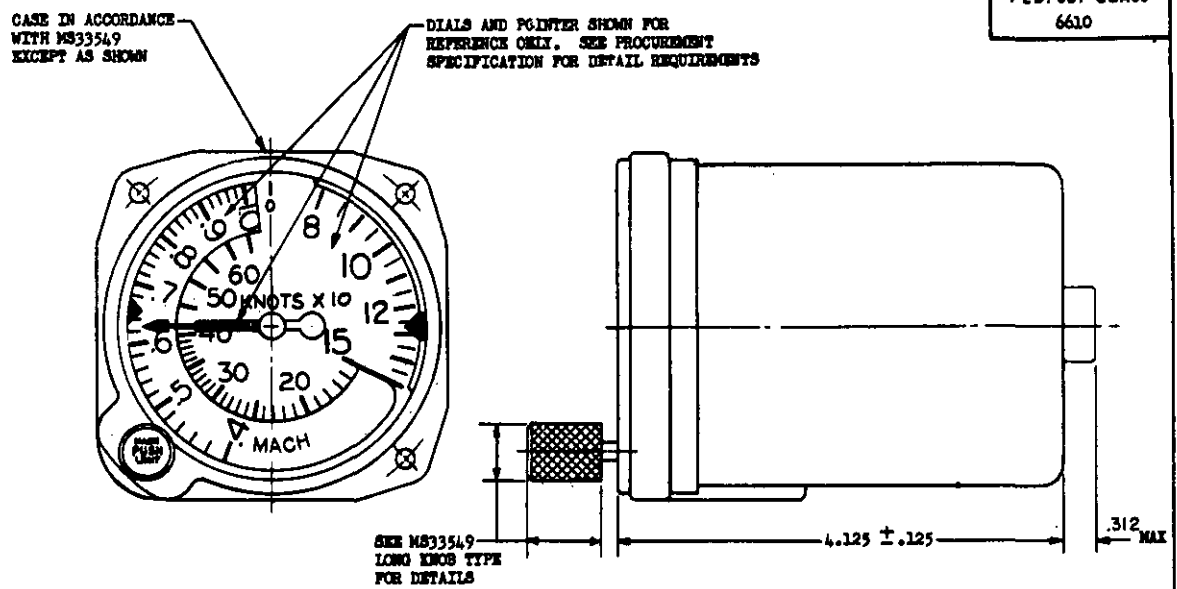


NOTICE—When Government drawings, specifications, or other data are used for any purpose other than in connection with a definitely related Government procurement operation, the United States Government thereby incurs no responsibility, nor any obligation whatsoever; and the fact that the Government may have furnished, furnished, or is in any way supplying the said drawings, specifications, or other data is not to be regarded by implication or otherwise as in any manner licensing the holder or any other person or corporation, or conveying any rights or permission to manufacture, use, or sell any patented invention that may in any way be related thereto.

This standard has been approved by the Bureau of Naval Weapons Department of the Navy and is mandatory for use by that activity. All other military activities are required to comply with this standard where suitable.



MS PART NO.	TUBING O. D.	BOSS	GASKET
MS28090-1	PITOT 1/4	AND10090-4	MS28778-4
	STATIC 1/4	AND10050-4	MS28778-4
MS28090-2	PITOT 3/8	AND10090-4	MS28778-4
	STATIC 3/8	AND10050-6	MS28778-6

DIMENSIONS IN INCHES.

ⓐ INACTIVE FOR NEW DESIGN, FOR FUTURE PROCUREMENT USE MS28089-1.

ⓓ CANCELLED 2 APRIL 1984 USE MS28089

THIS STANDARD TAKES PRECEDENCE OVER DOCUMENTS REFERENCED HEREIN. REFERENCED DOCUMENTS SHALL BE OF THE ISSUE IN EFFECT ON DATE OF INVITATIONS FOR BID.

P.A. Other Cust	TITLE	MILITARY STANDARD
	INDICATOR, AIRSPEED AND MACH NUMBER, PITOT-STATIC, 80 TO 650 KNOTS	MS28090 (Wep)
PROCUREMENT SPECIFICATION MIL-L-7833 (Wep)	SUPSEDES	1 OF 1

APPROVED 27 MAR 1956 REVISED 29 JAN 1969 19 MAY 1968 12 DEC 1966 2 APR 84

FED. SUP CLASS 6610