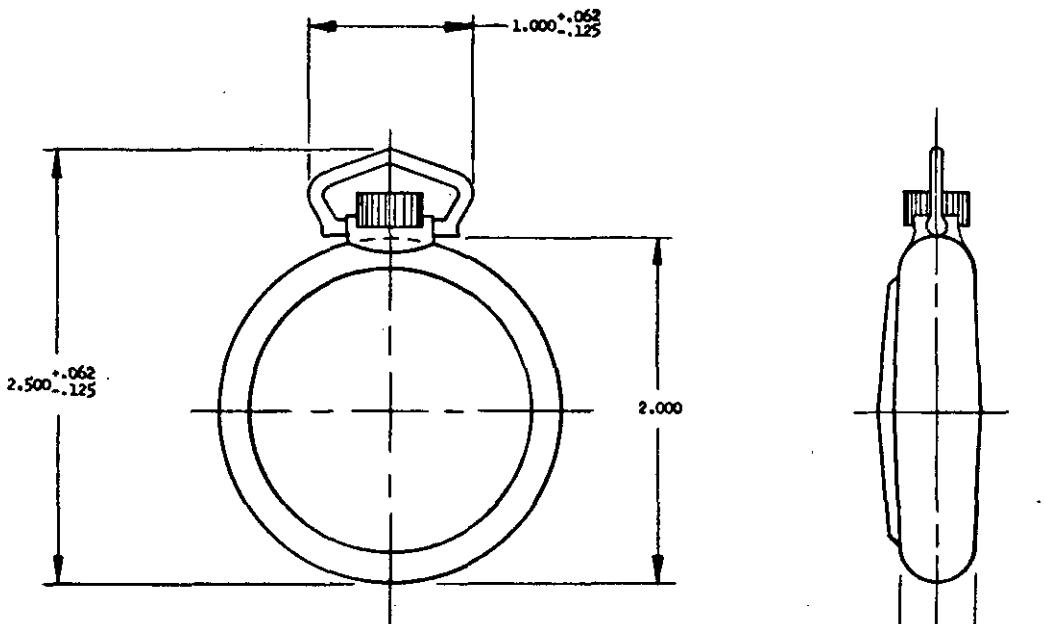


NOTICE.—When Government drawings, specifications, or other data are used for any purpose other than in connection with a definitely related Government procurement operation, the United States Government thereby incurs no responsibility, nor any obligation whatsoever; and the fact that the Government may have formulated, furnished, or in any way supplied the said drawings, specifications, or other data is not to be regarded by implication or otherwise as in any manner licensing the holder or any other person or corporation, or conveying any rights or permission to manufacture, use, or sell any patented invention that may in any way be related thereto.



DASH NO.	MAX WT.
-1	5 OZS.

DIMENSIONS IN INCHES. UNLESS OTHERWISE SPECIFIED, TOLERANCES: DECIMALS ±.062.

Ⓐ CANCELLED AFTER 24 MARCH 1980
NO SUPERSEDING DOCUMENT.

FOR DESIGN FEATURE PURPOSES, THIS STANDARD TAKES PRECEDENCE OVER PROCUREMENT DOCUMENTS REFERENCED HEREIN.
REFERENCED DOCUMENTS SHALL BE OF THE ISSUE IN EFFECT ON DATE OF INVITATIONS FOR BID.

P.A. Navy - Wap Other Cust USAP - AFSC	TITLE WATCH, POCKET, NAVIGATION, MASTER	MILITARY STANDARD
		MS28076(ASG)
PROCUREMENT SPECIFICATION MIL-W-5492	SUPERSEDES: AN5740	SHEET 1 OF 1

DD FORM 672-1 (Limited coordination)

PREVIOUS EDITIONS OF THIS FORM ARE OBSOLETE.

APPROVED 15 MAR 57 REVISED Ⓐ 24 MARCH 1980

Approved has been approved by the Bureau, (Department of the Navy) and the Department of the USAP and is mandatory for use by their activity. All other military activities are required to employ this standard where applicable.