

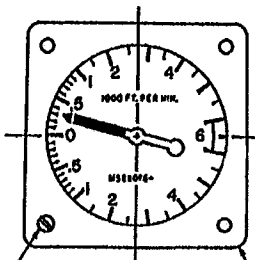
USER SYMBOLS:

REVISION SYMBOLS:

"Revision/issue information is current as of the date of this document. For future continuation of changes to this document, check circulation should be based on the information in the current DODDS."

DISTRIBUTION STATEMENT IS APPROVED FOR PUBLIC RELEASE. DISTRIBUTION IS UNLIMITED. This military standard is approved for use by all Departments & Agencies of the Department of Defense. Solicitation for all items manufacturing and design applications and for reprinting use shall be made from this document.

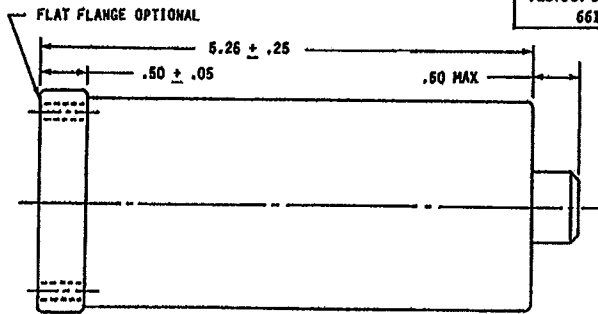
AMSC N/A



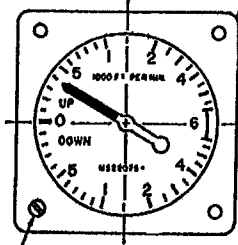
ZERO SETTING SCREW

DIAL FOR MS28075-1  
MS28075-2  
MS28075-3  
MS28075-4  
MS28075-5

SEE NOTE 3



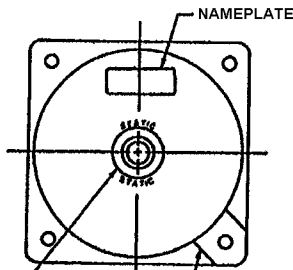
2-INCH CASE IN ACCORDANCE WITH MS33630, EXCEPT AS SHOWN



ZERO SETTING SCREW

DIAL FOR MS28075-1 (B)  
MS28075-2 (B)

SEE NOTE 3

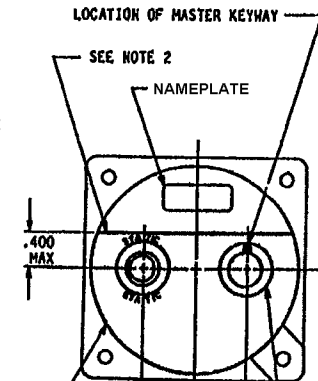


WELL OPTIONAL

STATIC PRESSURE INSERT CENTERED WITHIN .250 (SEE BOSS COLUMN)

REAR VIEW

MS28075-1  
MS28075-1 (B)



LOCATION OF MASTER KEYWAY

SEE NOTE 2

NAMEPLATE

.400 MAX

.750 MIN

STATIC PRESSURE INSERT (SEE BOSS COLUMN)

CONNECTOR TO MATE WITH MS3116-8-3S (EXCEPT FOR -3)

REAR VIEW

MS28075-2  
MS28075-2 (B)  
MS28075-3 (SEE NOTE 4)  
MS28075-4 (SEE NOTE 5)  
MS28075-5 (SEE NOTE 6)

DASH NO.	BOSS	GASKET	DESCRIPTION	ELECTRICAL CONNECTOR
-1 -1(B)	AND10050-4	MS28778-4	UNLIGHTED	NONE
-2 -2(B)	AND10050-4	MS28778-4	LIGHTED (5 VOLTS AC OR DC, 3 WATT)	A 5V COMMON B 5V AC OR DC (BLU-WHT) C 5V AC OR DC (RED)
-3	AND10050-4	MS28778-4	LIGHTED (5 VOLTS AC OR DC, 3 WATT)	A 5V AC OR DC (RED) B OPEN (NOTE 4) C 5V COMMON
-4	AND10050-4	MS28778-4	LIGHTED (5 VOLTS AC OR DC, 3 WATT)	A 5V COMMON B 5V AC OR DC (IPL-WHT) C 5V AC OR DC (RED)
-5	AND10050-4	MS28778-4	LIGHTED (5 VOLTS AC OR DC, 3 WATT)	A 5V COMMON B 5V AC OR DC (NYIS CLASS B GRN A) C OPEN

REVISION AND REDRAWN

P.A.  
NAVY - AS  
Other Cust  
ARMY - AV  
AIR FORCE - 11  
NAVY - AS

TITLE  
INDICATOR, VERTICAL SPEED, 0-6000 FPM 2-INCH

MILITARY STANDARD

MS 28075

PROCUREMENT SPECIFICATION  
MIL-1-18804

SUPERSEDES:  
BUAER DRAWING NO. 55A94A1

SHEET 1 OF 2

REVISED (C) 9 NOV 1987

APPROVED 24 OCT 86

DD FORM 1 MAR 72 672-1 (Coordinated)

PREVIOUS EDITIONS OF THIS FORM ARE OBSOLETE.

SYSTEMS ENGINEERING  
AND STANDARDIZATION  
DEPARTMENT, NAVAL AIR  
ENGINEERING CENTER  
LAKELAND, NEW JERSEY 07033

DATE

DRAWN BY \_\_\_\_\_

TYPED BY \_\_\_\_\_

CHECKED BY \_\_\_\_\_

NOTES TO PRINTER: REDUCE BORDER TO 6-27/32±0-3/4. PRINT LEFT BORDER LINE ONE INCH FROM LEFT EDGE OF 8x10-1/8 SHEET. PRINT BOTTOM BORDER LINE 3/8 INCH FROM BOTTOM EDGE OF 8x10-1/8 SHEET. SIGNATURE FORM NOT TO BE INCLUDED ON 8x10-1/8 SHEET.

## NOTES:

1. DIMENSIONS IN INCHES.
2. LOCATION OF FITTINGS OPTIONAL IN SHADED AREA EXCEPT A MINIMUM SPACING OF .750 INCH IS REQUIRED.
3. DIAL AND POINTER SHOWN FOR REFERENCE ONLY. SEE PROCUREMENT SPECIFICATION FOR DETAIL REQUIREMENTS.
4. -3 SAME AS GRUMMAN SPECIFICATION CONTROL DWG. 128SCAV-108-1 CONNECTOR MATES WITH AMPHENDL 67-06P12-60S.
5. -4 SAME AS MCDONNELL SPECIFICATION CONTROL DWG. 74J08056; BACK OF THE MOUNTING FLANGE AND ONE INCH OF THE CASE ARE TIN PLATED.
6. -5 SAME AS -4 EXCEPT FOR LIGHTING.

IN THE EVENT OF A CONFLICT BETWEEN THE TEXT OF THIS STANDARD AND THE REFERENCES CITED HEREIN, THE TEXT OF THIS STANDARD SHALL TAKE PRECEDENCE.

REFERENCED GOVERNMENT (OR NON-GOVERNMENT) DOCUMENTS OF THE ISSUE LISTED IN THAT ISSUE OF THE DEPARTMENT OF DEFENSE INDEX OF SPECIFICATIONS AND STANDARDS (DODISS) SPECIFIED IN THE SOLICITATION FORM A PART OF THIS STANDARD TO THE EXTENT SPECIFIED HEREIN.

"Reviews/user information is current as of the date of this document. For future coordination of changes to this document, user calculation should be based on the information in the current DODISS.

DISTRIBUTION STATEMENT A: APPROVED FOR PUBLIC RELEASE. DISTRIBUTION IS UNLIMITED. This document is approved for release by the Department of Defense. The Department of Defense is not responsible for engineering and design applications and for capabilities that may be made from this document.

AMSC N/A

P.A. NAVY - AS Other Cust ARMY - AV AIR FORCE - 11 NAVY - AS	TITLE	<b>MILITARY STANDARD</b>	
	INDICATOR, VERTICAL SPEED, 0-6000 FPM 2-INCH	<b>MS28075</b>	
PROCUREMENT SPECIFICATION MIL-I-18804	SUPERSEDES:	SHEET	2 OF 2

DD FORM 1 MAR 72 **672-1** (Coordinated)

PREVIOUS EDITIONS OF THIS FORM ARE OBSOLETE.

SYSTEMS ENGINEERING  
AND STANDARDIZATION  
DEPARTMENT, NAVAL AIR  
ENGINEERING CENTER  
LAKELAND, NEW JERSEY 07733

DATE

DRAWN BY \_\_\_\_\_

TYPED BY \_\_\_\_\_

CHECKED BY \_\_\_\_\_

NOTES TO PRINTER REDUCE BORDER TO 6-27/32x9-3/4. PRINT LEFT BORDER LINE ONE INCH FROM LEFT EDGE OF 8x10-1/2 SHEET. PRINT BOTTOM BORDER LINE 3/8 INCH FROM BOTTOM EDGE OF 8x10-1/2 SHEET. SIGNATURE FORM NOT TO BE INCLUDED ON 8x10-1/2 SHEET.

851804

APPROVED 24 OCT 56 REVISED (C) FOR CHANGES SEE SHEET 1 AND 2

USER SYMBOLS:

REVIEWED SYMBOLS: