

INCH-POUND

MS28050B  
14 September 2005  
SUPERSEDING  
MS28050A  
21 May 2004

DETAIL SPECIFICATION SHEET

VALVE, CHECK, LOW PRESSURE, INTERNAL THREADS

This specification is approved for use by all Departments and Agencies of the Department of Defense.

The requirements for acquiring the product described herein shall consist of this specification sheet and MIL-V-6129.

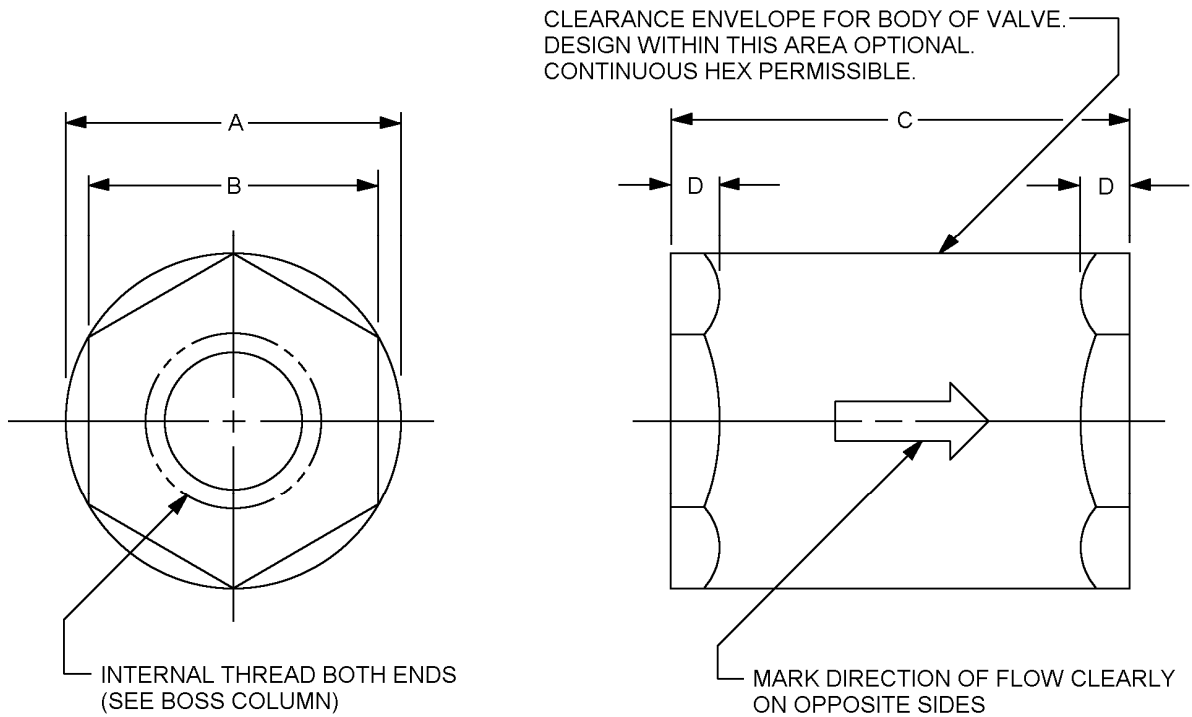


FIGURE 1. Valve, check, low pressure, internal threads.

## MS28050B

Part or Identifying Number (PIN)	A max (mm)	B max (mm)	C $\pm 0.0625$ (1.16mm)	D min (mm)	Weight max (lb) (mm)	Boss AND10050	Gasket two each required SAE-AS28778	Tubing size (ref) OD (mm)
MS28050-1	1.750 (44.45)	1.125 (28.58)	2.250 (57.15)	0.250 (6.35)	0.300 (7.62)	-4	-4	0.250 (6.35)
MS28050-2	2.000 (50.80)	1.125 (28.58)	2.500 (63.50)	0.250 (6.35)	0.300 (7.62)	-6	-6	0.375 (9.53)
MS28050-3	2.000 (50.80)	1.250 (31.75)	2.500 (63.50)	0.281 (7.14)	0.300 (7.62)	-8	-8	0.500 (12.70)
MS28050-4	2.188 (55.58)	1.375 (34.93)	3.000 (76.20)	0.312 (7.92)	0.450 (11.43)	-10	-10	0.625 (15.88)
MS28050-5	2.500 (63.50)	1.750 (44.45)	3.500 (88.90)	0.344 (8.74)	0.600 (15.24)	-16	-16	1.000 (25.40)

## NOTES:

1. Dimensions are in inches, unless otherwise specified.
2. Metric equivalents are given for information only.
3. Tolerances:  $\pm .016$  inch (0.41 mm).

FIGURE 1. Valve, check, low pressure, internal threads - Continued.

## REQUIREMENTS:

Dimensions and configurations: See figure 1.

Designed for use with air, coolants and water at pressures not exceeding 50 PSI (3.45 bar).

Material in accordance with MIL-V-6129.

Threads in accordance with MIL-V-6129.

Marginal notations. Marginal notations are not used in this revision to identify changes due to the extent of the changes.

Reference documents. In addition to MIL-V-6129, this document references the following:

AND10050  
SAE-AS28778

MS28050B

CONCLUDING MATERIAL

Custodians:

Navy - AS  
Air Force - 99  
DLA - CC

Preparing activity:

DLA - CC

Review activities:

Navy - MC, SA  
Air Force - 70, 71

(Project 4820-2005-001)

NOTE: The activities listed above were interested in this document as of the date of this document. Since organizations and responsibilities can change, you should verify the currency of the information above using the ASSIST Online database at <http://assist.daps.dla.mil>.