

INCH-POUND

MS28050A  
21 May 2004  
SUPERSEDING  
MS28050  
NOTICE 2  
21 April 2000

DETAIL SPECIFICATION SHEET

VALVE, CHECK LOW PRESSURE, INTERNAL THREADS

This specification is approved for use by all Departments and Agencies of the Department of Defense.

The requirements for acquiring the product described herein shall consist of this specification sheet.

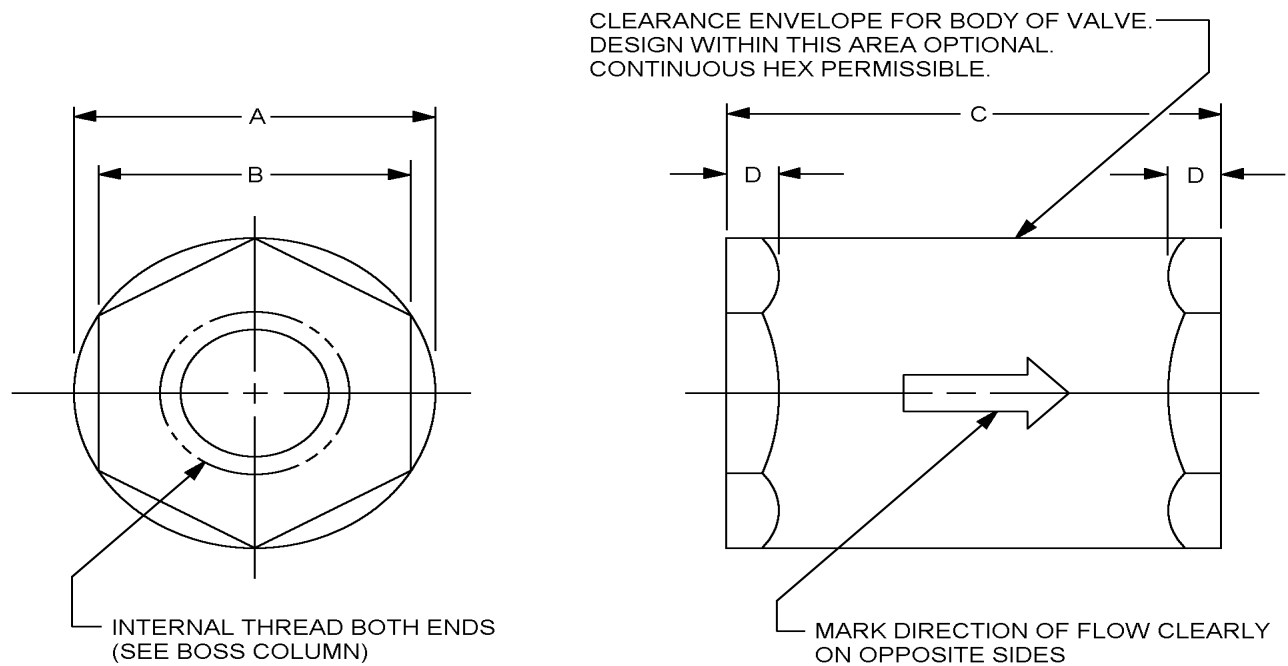


FIGURE 1. Valve, check, low pressure, internal threads.

## MS28050A

Dimensions and configurations: See figure 1 and table I.

TABLE I. Valves, dimensions, weight, boss, gaskets, tubing sizes.

Part or Identifying Number (PIN)	A max (mm)	B max (mm)	C $\pm 1/16$ (mm)	D min (mm)	WT max (lb) (mm)	Boss	Gasket two each required	Tubing size (ref) OD (mm)
MS28050-1	1.750 (44.45)	1.125 (28.58)	2.250 (57.15)	0.250 (6.35)	0.300 (7.62)	AND10050-4	SAE-AS28778-4	0.250 (6.35)
MS28050-2	2.000 (50.80)	1.125 (28.58)	2.250 (57.15)	0.250 (6.35)	0.300 (7.62)	AND10050-6	SAE-AS28778-6	0.375 (9.53)
MS28050-3	2.000 (50.80)	1.250 (31.75)	2.500 (63.50)	0.281 (7.14)	0.300 (7.62)	AND10050-8	SAE-AS28778-8	0.500 (12.70)
MS28050-4	2.188 (55.58)	1.375 (34.93)	3.000 (76.20)	0.312 (7.92)	0.450 (11.43)	AND10050-10	SAE-AS28778-10	0.625 (15.88)
MS28050-5	2.500 (63.50)	1.750 (44.45)	3.500 (88.90)	0.344 (8.74)	0.600 (15.24)	AND10050-16	SAE-AS28778-16	1.000 (25.40)

## NOTES:

1. Dimensions are in inches, unless otherwise specified. Tolerances:  $\pm .016$ .
2. Metric equivalents are given for general information only.
3. Designed for use with air, coolants and water at pressures not exceeding 50 psi.

Changes from previous issue. Marginal notations are not used in this revision to identify changes with respect to the previous issue due to the extent of the changes.

Reference documents. This document references the following:

AND10050  
SAE-AS28778

## CONCLUDING MATERIAL

Custodians:  
Navy - AS  
Air Force - 99  
DLA - CC

Preparing activity:  
DLA - CC

Review activities:  
Navy - MC, SA  
Air Force - 70, 71

(Project 4820-0846-000)

NOTE: The activities listed above were interested in this document as of the date of this document. Since organizations and responsibilities can change, you should verify the currency of the information above using the ASSIST Online database at <http://www.dodssp.daps.mil>.