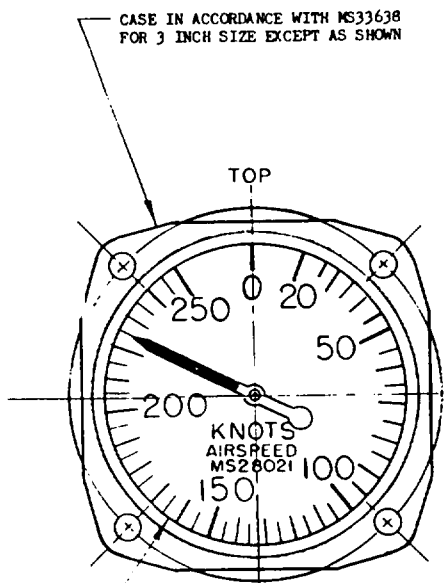
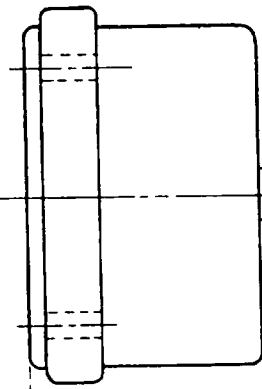


FED. SUP CLASS
6610



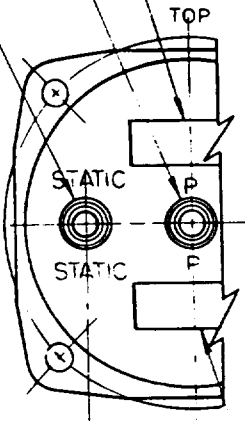
DIAL AND POINTER SHOWN FOR REFERENCE ONLY - SEE PROCUREMENT SPECIFICATION FOR DETAIL REQUIREMENTS



STATIC INSERT
SEE BOSS COLUMN

PITOT PRESSURE INLET
CENTERED WITHIN 1/16
SEE BOSS COLUMN

NAMEPLATE



LABEL: "USE STRAIGHT THREAD FITTING ONLY "OR" USE PIPE THREAD FITTING ONLY "AS APPLICABLE
CAUTION: DO NOT BLOW IN TUBE

User activities:

ARMY - AV
NAVY - AS
USAF - 71

Review activities:

DASH NO.	DIAL MARKING	BOSS		GASKET
-2	LUSTERLESS WHITE	PPRESSURE	(b) MS33649-4	MS28778-4
		STATIC	(b) MS33649-4	
-3	LUSTERLESS WHITE	PPRESSURE	(b) MS33649-4	MS28778-4
		STATIC	(b) MS33649-6	
-4 (a)	LUSTERLESS WHITE	PPRESSURE	LIVE ANPT	
		STATIC		

(a) DASH NO. (-1) IS SUPERSEDED BY DASH NO. (-2).
(b) FORMALLY AND10050 NUMBERS.

NOTES:

- INDICATOR SUPPLIED WITH REMOVABLE SPRING NUTS.
- DIMENSIONS IN INCHES
- CERTAIN PROVISIONS OF THIS SPECIFICATION ARE THE SUBJECT OF INTERNATIONAL STANDARDIZATION AGREEMENT ASCC 17-20C AND STANAG 3434. WHEN AMENDMENT, REVISION, OR CANCELLATION OF THIS SPECIFICATION IS PROPOSED WHICH WILL EFFECT OR VIOLATE THE INTERNATIONAL AGREEMENT CONCERNED, THE PREPARING ACTIVITY WILL TAKE APPROPRIATE RECONCILIATION ACTION THROUGH INTERNATIONAL STANDARDIZATION CHANNELS, INCLUDING DEPARTMENTAL STANDARDIZATION OFFICES, IF REQUIRED.

FOR DESIGN FEATURE PURPOSES, THIS STANDARD TAKES PRECEDENCE OVER DOCUMENTS REFERENCED HEREIN. REFERENCE DOCUMENTS SHALL BE OF THE ISSUE IN EFFECT ON DATE OF INVITATIONS FOR BID.

This military standard is approved for use by all Departments and Agencies of the Department of Defense. Selection for all new engineering and design applications and for repetitive use shall be made from this document.

P.A. USAF 71 Other Cust NAVY AS ARMY AV	INTERNATIONAL INTEREST ASCC STANAG	TITLE INDICATOR - INDICATED AIR SPEED PITOT STATIC, 20-250 KNOTS	MILITARY STANDARD MS28021
PROCUREMENT SPECIFICATION MIL-I-5721	SUPERSEDES:	SHEET	OF 1

APPROVED 1 Oct 61
REVISED (A) 4 Apr 66
(B) 15 Oct 68
15 November 1972