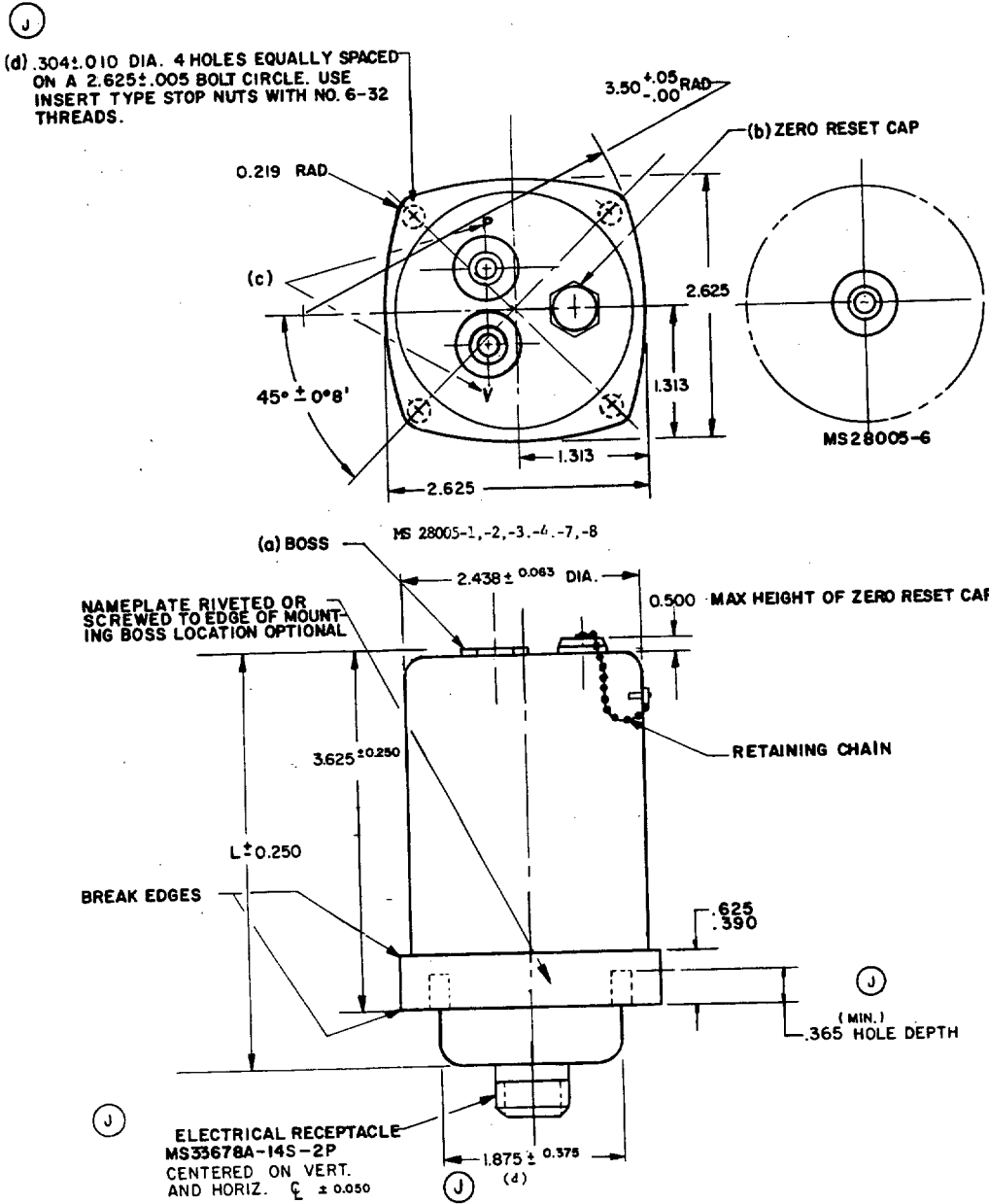


FED. SUP CLASS
6620



USER ACTIVITIES:

REVIEWER ACTIVITIES:

DISTRIBUTION STATEMENT A. Approved for public release; distribution is unlimited.

AMSC N/A

This military standard is approved for use by all Departments and Agencies of the Department of Defense. Selection for all new engineering and design applications for repetitive use shall be made from this document when applicable.

APPROVED 29 Jan 51 REVISED MAR 61 1979 1 08 APR 1989 30 January 1990

P. A. USAF-71 Other Cust ARMY-AV NAVY-AS USAF-99	INTERNATIONAL INTEREST	TITLE TRANSMITTERS, PRESSURE, SYNCHRO, AIRCRAFT	MILITARY STANDARD MS 28005
PROCUREMENT SPECIFICATION SEE TABLE	SUPERSEDES: BY AER DWG 49A237SK		SHEET 1 OF 2

DD FORM 672-1 (COORDINATED) PREVIOUS EDITIONS OF THIS FORM ARE OBSOLETE 6620-0 8'28

DATE

DRAWN BY _____
TYPED BY _____
CHECKED BY _____

NOTES TO PRINTER: REDUCE BORDER TO 6-27-32 X 9-3/4 PRINT LEFT BORDER LINE ONE INCH FROM LEFT EDGE OF 8 X 10 - 1/2 SHEET. PRINT BOTTOM BORDER LINE 3/8 INCH FROM BOTTOM EDGE OF 8 X 10 - 1/2 SHEET. SIGNATURE FORM NOT TO BE INCLUDED ON 8 X 10 - 1/2 SHEET

FED. SUP CLASS

6620

USER ACTIVITIES:

MS PART NO.	FUNCTION	RANGE	PROCUREMENT SPECIFICATION	L
MS28005-1	MULTIPURPOSE	0-50 PSI	MIL-T-5882	5
MS28005-2		0-100 PSI	MIL-T-5796	
MS28005-3	OIL	0-200 PSI	MIL-T-5790	4.250
MS28005-4	FUEL	0-1000 PSI	MIL-T-5396	
MS28005-6	MANIFOLD	10-75 IN. MERCURY	MIL-T-5780	5
MS28005-7	FUEL	0-600 PSI	MIL-T-6302	4.250
MS28005-8	HYDRAULIC	0-4000 PSI	MIL-T-25307	4.250

- (a) BOSSES IN ACCORDANCE WITH MS33649 FOR 1/4 TUBING EXCEPT MS28005-5 WHICH WILL CONFORM TO AND10050. C DIMENSION ON MS33649 AND AND10050 NEED NOT BE MAINTAINED. BOSSES MAY BE OFFSET FROM CENTERLINES TO PROVIDE CLEARANCE FOR ZERO RESET CAP.
- (b) EXTERNAL ZERO RESET FOR HERMETICALLY SEALED TRANSMITTERS, LOCATION OPTIONAL.
- (c) THE LETTERS P AND V SHALL BE RAISED AT LEAST .030 IN HEIGHT AND CONSPICUOUSLY PAINTED.
- (d) AT MAXIMUM MATERIAL CONDITION, CIRCLES MUST BE CONCENTRIC WITHIN .010 TOTAL INDICATOR READING.
- (e) THE USE OF RECLAIMED MATERIALS SHALL BE ENCOURAGED TO THE MAXIMUM EXTENT POSSIBLE.

DIMENSIONS IN INCHES. UNLESS OTHERWISE SPECIFIED, TOLERANCES : DECIMALS \pm .005

THIS STANDARD TAKES PRECEDENCE OVER DOCUMENTS REFERENCED HEREIN.

REFERENCED DOCUMENTS SHALL BE OF THE ISSUE IN EFFECT ON DATE OF INVITATIONS FOR BID.

REVIEWER ACTIVITIES:

DISTRIBUTION STATEMENT A. Approved for public release; distribution is unlimited.
AMSC - N/A

This military standard is approved for use by all Departments and Agencies of the Department of Defense. Selection of drawing and design applications for repetitive use shall be made from this document when applicable.

APPROVED 29 Jan 51 REVISED J For changes see page 1 and 2

P. A. USAF- 71 Other Cust ARMY-AV NAVY-AS USAF-99	INTERNATIONAL INTEREST	TITLE TRANSMITTERS, PRESSURE, SYNCHRO, AIRCRAFT	MILITARY STANDARD MS 28005
PROCUREMENT SPECIFICATION SEE TABLE ABOVE	SUPERSEDES: BVAER DWG. 49A237SK	SHEET 2 OF 2	

DD FORM 672-1 (COORDINATED)
MAY 73

PREVIOUS EDITIONS OF THIS FORM ARE OBSOLETE

6620-0828

3

DATE

DRAWN BY _____

TYPED BY _____

CHECKED BY _____

NOTES TO PRINTERS: REDUCE BORDER TO 6 - 27.32 X 9 - 3.4. PRINT LEFT BORDER LINE ONE INCH FROM LEFT EDGE OF 8 X 10 - 1/2 SHEET. PRINT BOTTOM BORDER LINE 3/8 INCH FROM BOTTOM EDGE OF 8 X 10 - 1/2 SHEET. SIGNATURE FORM NOT TO BE INCLUDED ON 8 X 10 - 1/2 SHEET.

10