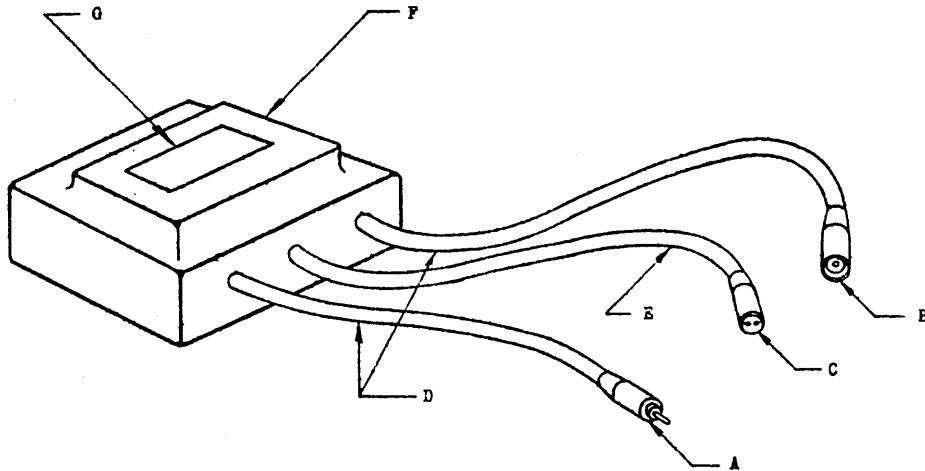


FED. SUP CLASS
5950



ELECTRICAL CHARACTERISTICS					
PRI AMP	PRI WVR FACTOR MIN %	EFFICIENCY MIN %	MAX SEC VOLT: RMS	SECONDARY AMPS (A)	LOAD (A)
6.6	95	90		19.8-20.2	1.3 OHMS (a)
6.6				20.0-22.0	SHORT CIRCUITED
6.6			70	0	OPEN CIRCUITED
5.2				15.6-16.3	1.1 OHMS (a)
4.1				12.2-12.9	0.9 OHMS (a)
3.4				10.2-10.8	0.8 OHMS (a)
2.8				8.4- 8.9	0.7 OHMS (a)

(a) THE LOAD MAY BE EITHER A 500W, 20A LAMP OR THE OHMIC RESISTANCE SPECIFIED.

- A PLUG FIGURE 6a FAA SPECIFICATION L-823.
- B RECEPTACLE FIGURE 6b FAA SPECIFICATION L-823.
- C RECEPTACLE FIGURE 1c FAA SPECIFICATION L-823.
- D PRIMARY CABLE.
- E SECONDARY CABLE.
- F CASE.
- G IDENTIFICATION MARKING (LOCATION OPTIONAL).

PART NO.	LEAD LENGTH INCHES	
	D	E
MS27136-1	30 ±3	54 ±3

IN COMPUTING EFFICIENCY, CORRECTION SHALL BE MADE FOR LEAD LOSSES.

MAXIMUM WEIGHT 25 POUNDS.

DIMENSIONS IN INCHES.

FOR DESIGN FEATURE PURPOSES, THIS STANDARD TAKES PRECEDENCE OVER PROCUREMENT DOCUMENTS REFERENCED HEREIN. REFERENCED DOCUMENTS SHALL BE OF THE ISSUE IN EFFECT ON DATE OF INVITATIONS FOR BID.

P.A. USAF - 11 Other Cust Navy - WP	TITLE TRANSFORMER, POWER, ISOLATION; AIRPORT LIGHTING, 500W/6.6A/20A/500V	MILITARY STANDARD
		MS27136(ASG)
PROCUREMENT SPECIFICATION	GROUP/ENCL.	SHEET OF

Review activities - 85,11
 Navy - WP

Approved by the SSM (Department of the Air Force) and the
 statement of the activity and is mandatory for use by
 activity. All other military activities are required
 to play this standard where suitable.

APPROVED 15 MAY 64 REVISED 18 AUG 65